

Excellent Integrated System Limited

Stocking Distributor

Click to view price, real time Inventory, Delivery & Lifecycle Information:

[Everlight Electronics Co Ltd](#)
[11-22/R6G6C-A01/2T](#)

For any questions, you can email us directly:

sales@integrated-circuit.com

EVERLIGHT EVERLIGHT ELECTRONICS CO.,LTD.

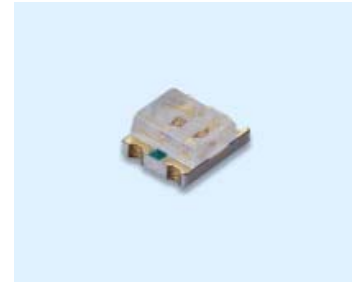
Technical Data Sheet

Chip LED with Bi-Color(Multi-Color)

11-22/R6G6C-A01/2T

Features

- Package in 8mm tape on 7" diameter reel.
- Compatible with automatic placement equipment.
- Compatible with infrared and vapor phase reflow solder process.
- Multi-color type.
- Pb-Free.
- The product itself will remain within RoHS compliant version.



Descriptions

- The 11-22 SMD LED is much smaller than lead frame type components, thus enable smaller board size, higher packing density, reduced storage space and finally smaller equipment to be obtained.
- Besides, lightweight makes them ideal for miniature applications. etc.

Applications

- Backlighting in dashboard and switch.
- Telecommunication: indicator and backlighting in telephone and fax.
- Flat backlight for LCD, switch and symbol.
- General use.

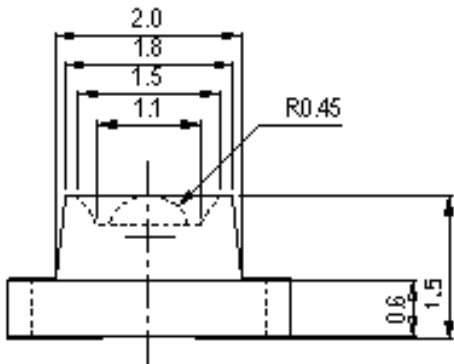
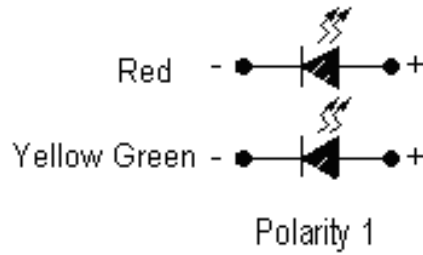
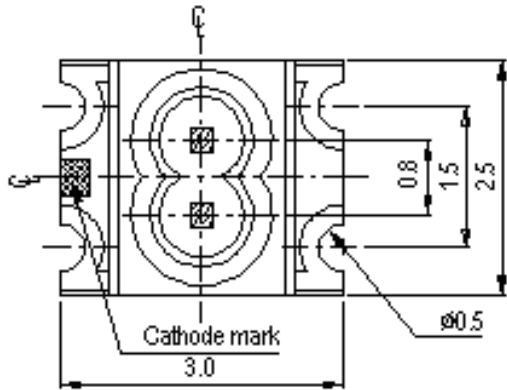
Device Selection Guide

Type	Chip	Emitted Color	Resin Color
	Material		
R6	AlGaInP	Brilliant Red	Water Clear
G6	AlGaInP	Brilliant Yellow Green	

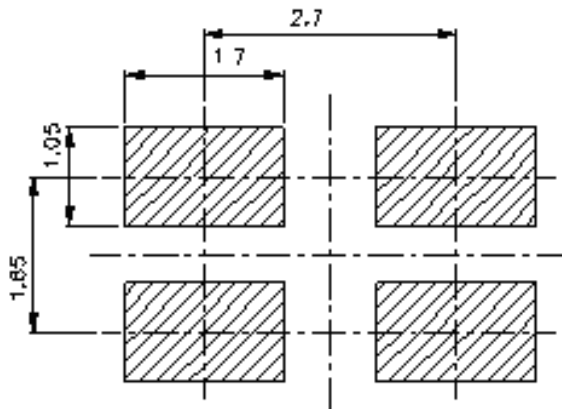
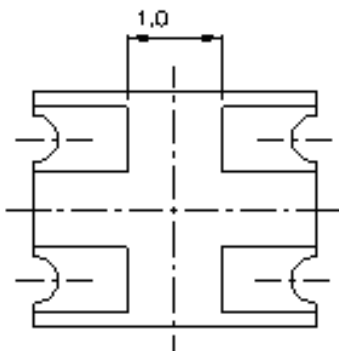
EVERLIGHT EVERLIGHT ELECTRONICS CO.,LTD.

11-22/R6G6C-A01/2T

Package Outline Dimensions



For reflow soldering (propose)



Notes: Tolerances Unless Dimension ± 0.1 mm, Unit = mm



EVERLIGHT ELECTRONICS CO.,LTD.

11-22/R6G6C-A01/2T

Absolute Maximum Ratings (Ta=25°C)

Parameter	Symbol	Rating	Unit
Reverse Voltage	V _R	5	V
Forward Current	I _F	R6:25 G6:25	mA
Power Dissipation	P _d	R6:60 G6:60	mW
Peak Forward Current (Duty 1/10 @1KHz)	I _{FP}	R6:60 G6:60	mA
Electrostatic Discharge(HBM)	ESD	R6:2000 G6:2000	V
Operating Temperature	T _{opr}	-40 ~ +85	°C
Storage Temperature	T _{stg}	-40~ +90	°C
Soldering Temperature	T _{sol}	Reflow Soldering : 260 °C for 10 sec. Hand Soldering : 350 °C for 3 sec.	

EVERLIGHT EVERLIGHT ELECTRONICS CO.,LTD.

11-22/R6G6C-A01/2T

Electro-Optical Characteristics (Ta=25°C)

Parameter	Symbol	Min.	Typ.	Max.	Unit	Condition
Luminous Intensity	I _v R6	140	225	-----	mcd	I _F =20mA
	G6	45	72	-----		
Viewing Angle	2θ _{1/2}	-----	60	-----	deg	
Peak Wavelength	λ _p R6	-----	632	-----	nm	
	G6	-----	575	-----		
Dominant Wavelength	λ _d R6	-----	624	-----	nm	
	G6	-----	573	-----		
Spectrum Radiation Bandwidth	Δλ R6	-----	20	-----	nm	
	G6	-----	20	-----		
Forward Voltage	V _F R6	1.7	2.0	2.4	V	
	G6	1.7	2.0	2.4		
Reverse Current	I _R R6	-----	-----	10	μA	V _R =5V
	G6	-----	-----	10		

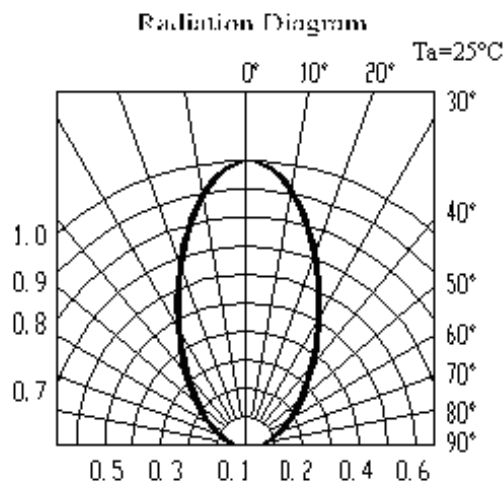
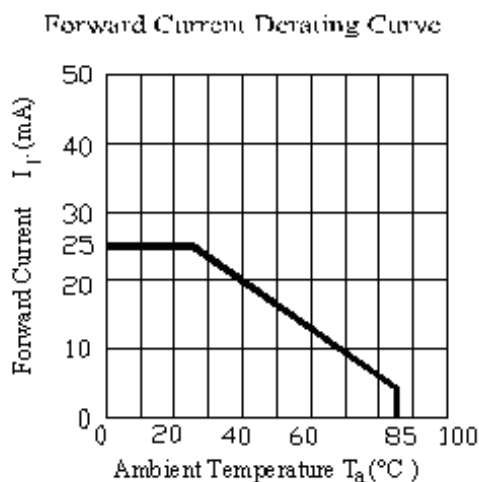
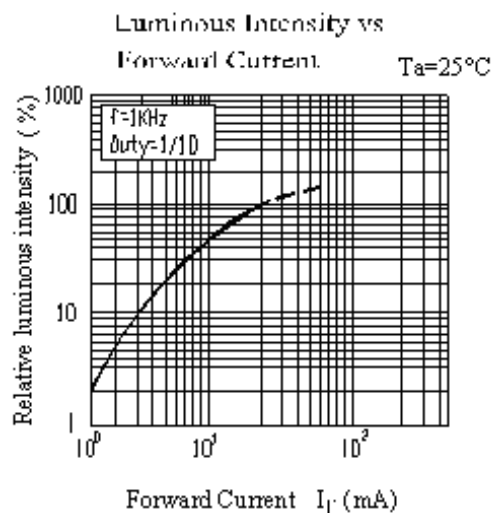
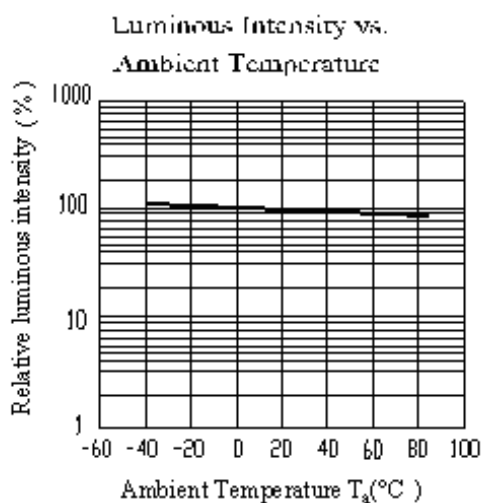
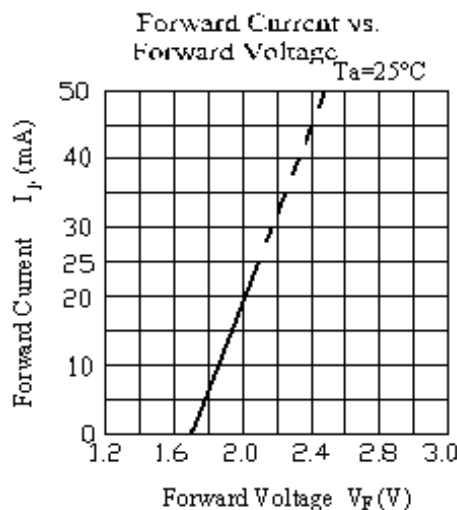
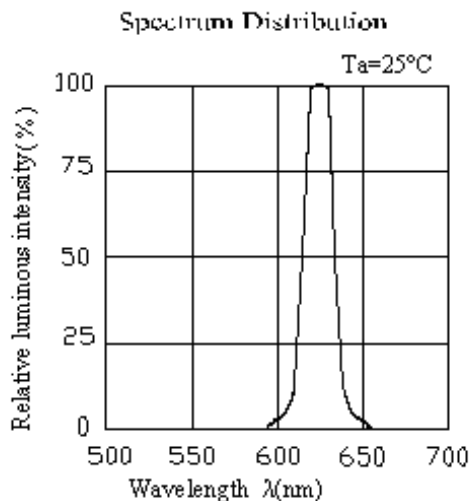
Notes:

- 1.Tolerance of Luminous Intensity ±11%**
- 2.Tolerance of Dominant Wavelength ±1nm**

EVERLIGHT EVERLIGHT ELECTRONICS CO.,LTD.

11-22/R6G6C-A01/2T

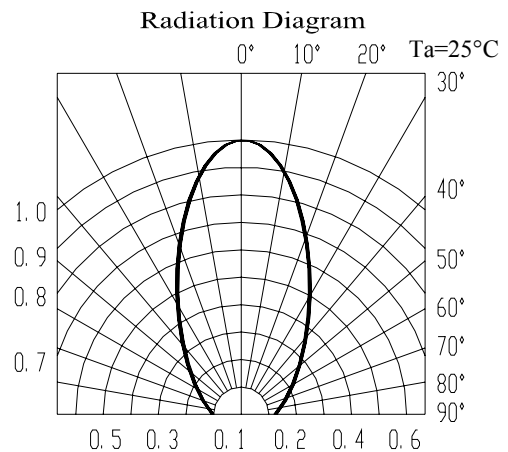
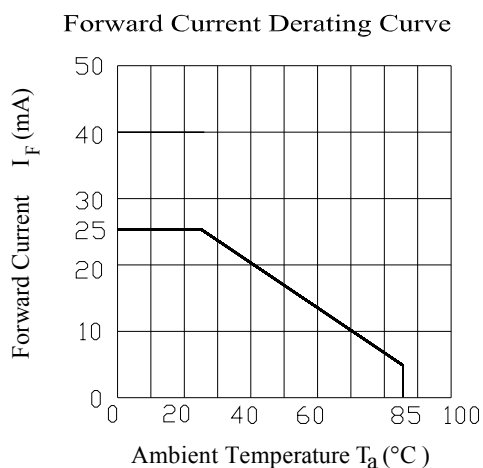
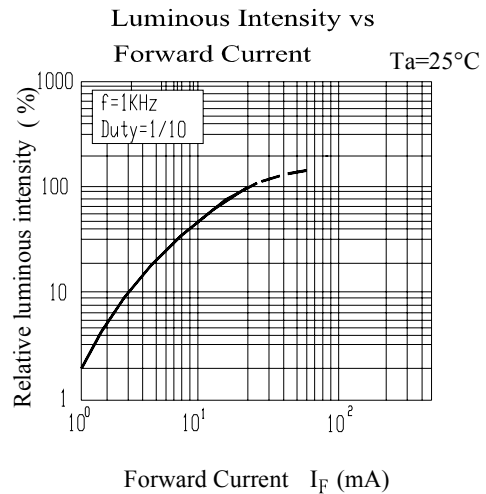
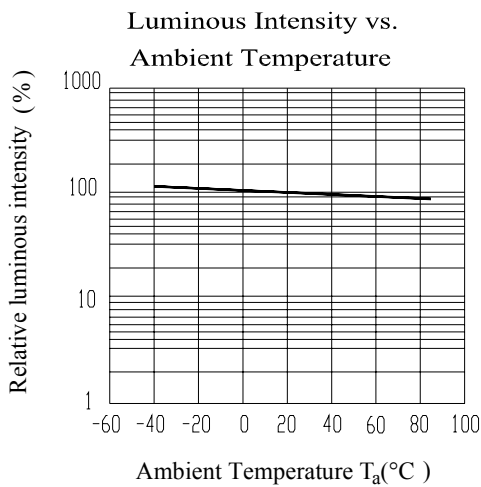
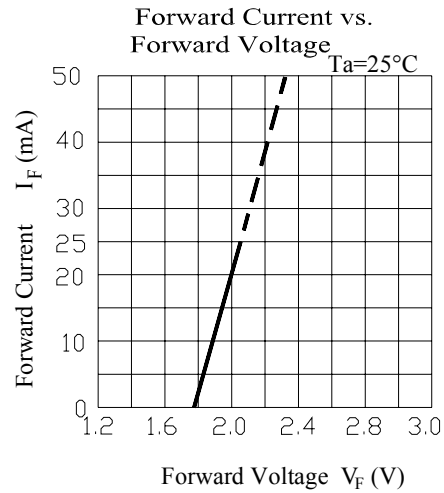
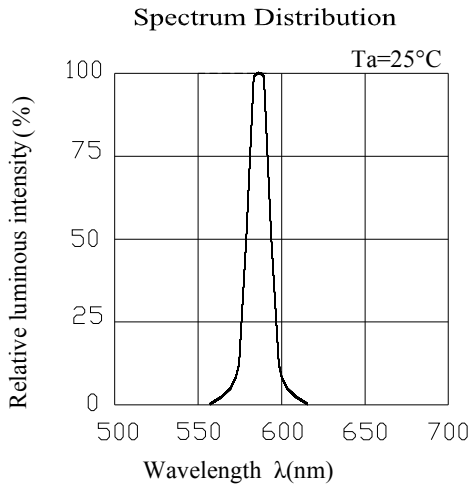
Typical Electro-Optical Characteristics Curves
R6



EVERLIGHT EVERLIGHT ELECTRONICS CO.,LTD.

11-22/R6G6C-A01/2T

Typical Electro-Optical Characteristics Curves
G6





EVERLIGHT ELECTRONICS CO.,LTD.

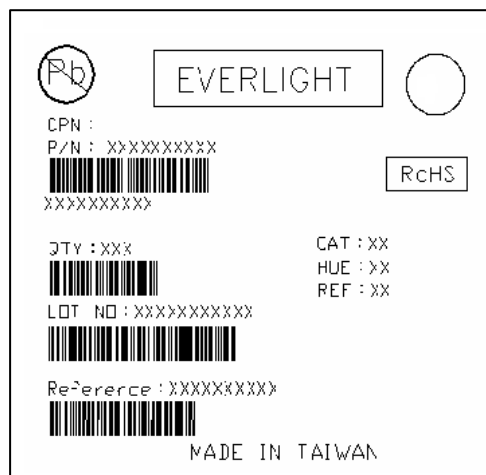
11-22/R6G6C-A01/2T

Label explanation

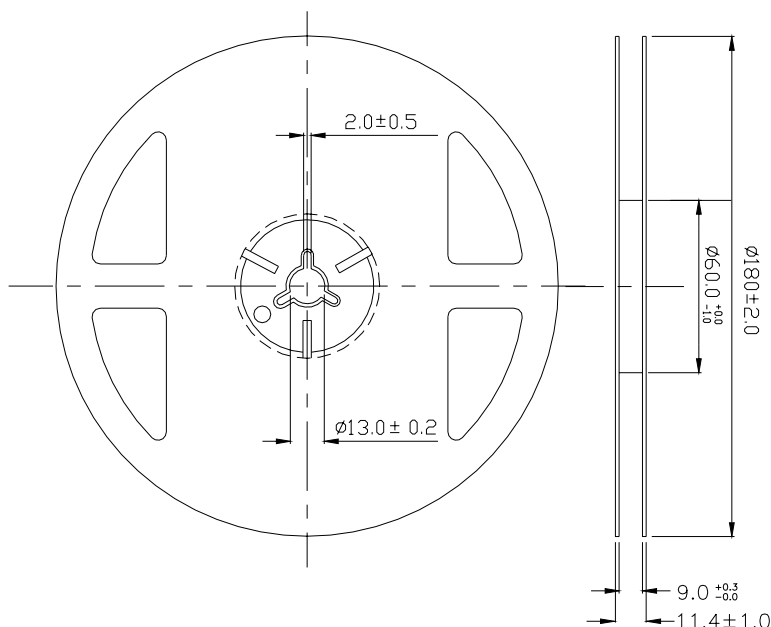
CAT: Luminous Intensity Rank

HUE: Dom. Wavelength Rank

REF: Forward Voltage Rank



Reel Dimensions

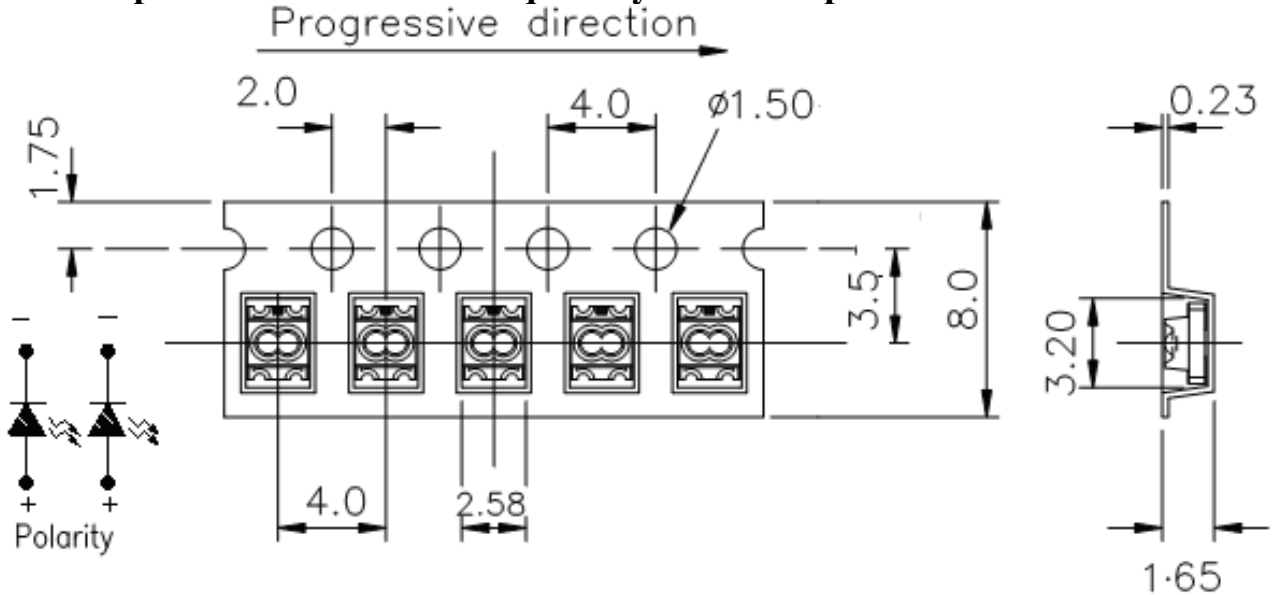


Note: Tolerances Unless Dimension ±0.1mm, Unit = mm

EVERLIGHT EVERLIGHT ELECTRONICS CO.,LTD.

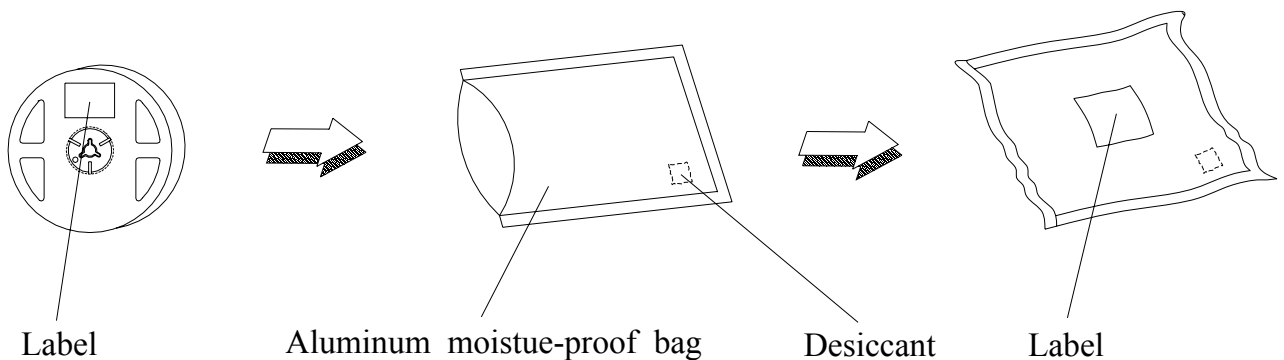
11-22/R6G6C-A01/2T

Carrier Tape Dimensions: Loaded quantity 2000 PCS per reel



Note: Tolerances Unless Dimension $\pm 0.1\text{mm}$, Unit = mm

Moisture Resistant Packaging





EVERLIGHT ELECTRONICS CO.,LTD.

11-22/R6G6C-A01/2T

Reliability Test Items And Conditions

The reliability of products shall be satisfied with items listed below.

Confidence level : 90%

LTPD : 10%

No.	Items	Test Condition	Test Hours/Cycles	Sample Size	Ac/Re
1	Reflow Soldering	Temp. : 260°C±5°C Min. 5sec.	6 Min.	22 PCS.	0/1
2	Temperature Cycle	H : +100°C 15min ∫ 5 min L : -40°C 15min	300 Cycles	22 PCS.	0/1
3	Thermal Shock	H : +100°C 5min ∫ 10 sec L : -10°C 5min	300 Cycles	22 PCS.	0/1
4	High Temperature Storage	Temp. : 100°C	1000 Hrs.	22 PCS.	0/1
5	Low Temperature Storage	Temp. : -40°C	1000 Hrs.	22 PCS.	0/1
6	DC Operating Life	IF = 20 mA	1000 Hrs.	22 PCS.	0/1
7	High Temperature / High Humidity	85°C/ 85%RH	1000 Hrs.	22 PCS.	0/1



EVERLIGHT ELECTRONICS CO.,LTD.

11-22/R6G6C-A01/2T

Precautions For Use

1. Over-current-proof

Customer must apply resistors for protection, otherwise slight voltage shift will cause big current change (Burn out will happen).

2. Storage

2.1 Do not open moisture proof bag before the products are ready to use.

2.2 Before opening the package: The LEDs should be kept at 30 °C or less and 90%RH or less.

2.3 After opening the package: The LED's floor life is 1 year under 30 °C or less and 60% RH or less.

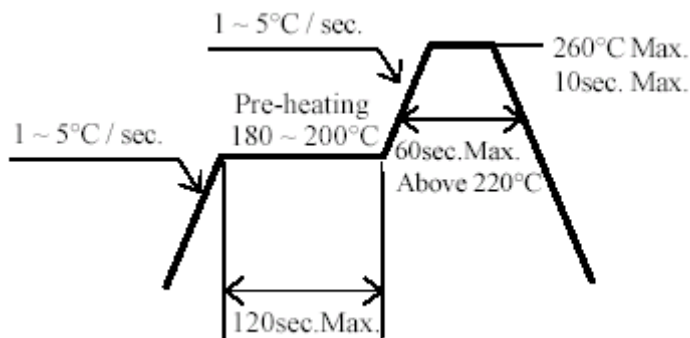
If unused LEDs remain, it should be stored in moisture proof packages.

2.4 If the moisture absorbent material (silica gel) has faded away or the LEDs have exceeded the storage time, baking treatment should be performed using the following conditions.

Baking treatment : 60±5°C for 24 hours.

3. Soldering Condition

3.1 Pb-free solder temperature profile



3.2 Reflow soldering should not be done more than two times.

3.3 When soldering, do not put stress on the LEDs during heating.

3.4 After soldering, do not warp the circuit board.

EVERLIGHT EVERLIGHT ELECTRONICS CO.,LTD.

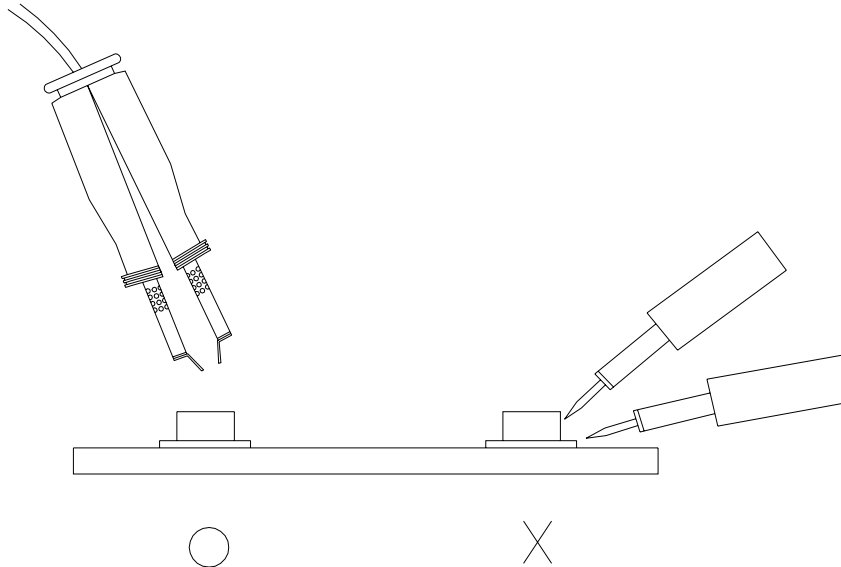
11-22/R6G6C-A01/2T

4.Soldering Iron

Each terminal is to go to the tip of soldering iron temperature less than 350°C for 3 seconds within once in less than the soldering iron capacity 25W. Leave two seconds and more intervals, and do soldering of each terminal. Be careful because the damage of the product is often started at the time of the hand solder.

5.Repairing

Repair should not be done after the LEDs have been soldered. When repairing is unavoidable, a double-head soldering iron should be used (as below figure). It should be confirmed beforehand whether the characteristics of the LEDs will or will not be damaged by repairing.



EVERLIGHT ELECTRONICS CO., LTD.
 Office: No 25, Lane 76, Sec 3, Chung Yang Rd,
 Tucheng, Taipei 236, Taiwan, R.O.C

Tel: 886-2-2267-2000, 2267-9936
 Fax: 886-2267-6244, 2267-6189, 2267-6306
<http://www.everlight.com>