

Excellent Integrated System Limited

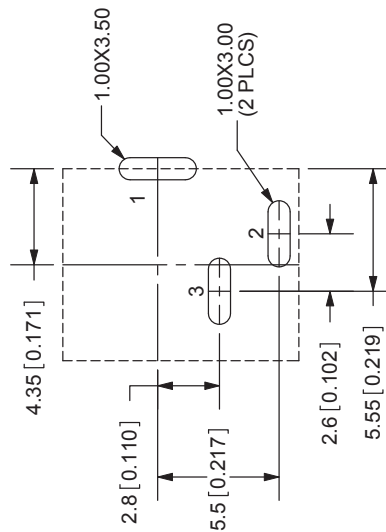
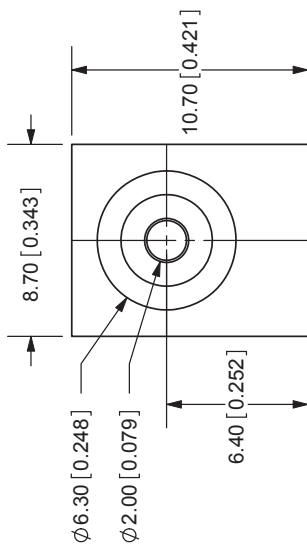
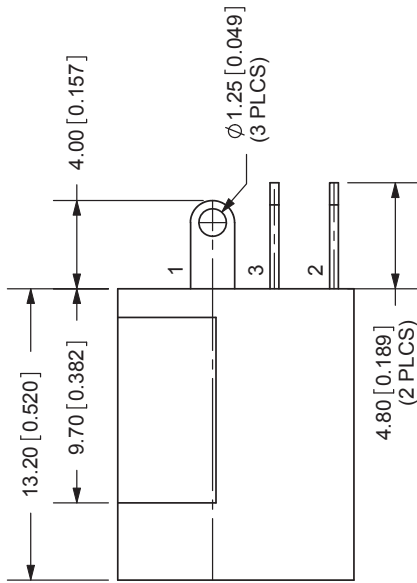
Stocking Distributor

Click to view price, real time Inventory, Delivery & Lifecycle Information:


[CUI Inc.](#)
[PJ-006A](#)

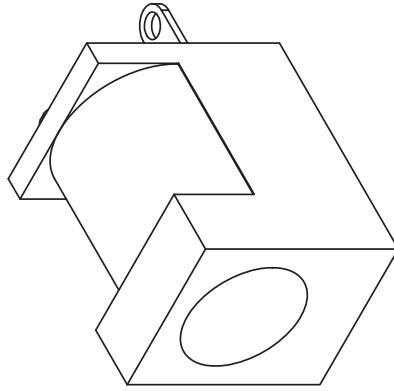
For any questions, you can email us directly:
sales@integrated-circuit.com

REV.	DESCRIPTION	DATE
A	NEW DRAWING	5/17/2006
B	hand soldering note added	4/23/2009



PCB LAYOUT
BACK VIEW

MODEL NO.	PJ-006A
SCHEMATIC	
CENTER PIN DIAMETER	2.0mm



TOLERANCE:
±0.3mm UNLESS OTHERWISE
SPECIFIED

NOTE:
1. FOR HAND SOLDERING ONLY



20050 SW 112th Ave.
Tualatin, OR 97062
Phone: 503-612-2300
800-275-4899
Fax: 503-612-2383
Website: www.cui.com

SPECIFICATIONS:
RATING: 16V DC @ 2A
CONTACT RESISTANCE: 30m OHMS MAX
INSULATION RESISTANCE: 100M OHMS MIN: 500V DC
VOLTAGE WITHSTAND: 500V AC R.M.S. FOR 1 MINUTE
LIFE: 5,000 CYCLES
OPERATING TEMP: -20° ~ +85° C

MATERIAL	PLATING	TITLE:	REV:
CENTER PIN	Nickel	DC POWER JACK	B
TERMINAL 1	Silver	PART NO. PJ-006A	UNITS: MM [INCHES]
TERMINAL 2	Silver	DRAWN BY: ZRJ	APPROVED BY:
TERMINAL 3	Silver		SCALE: 3:1
HOUSING	PBT		