

Excellent Integrated System Limited

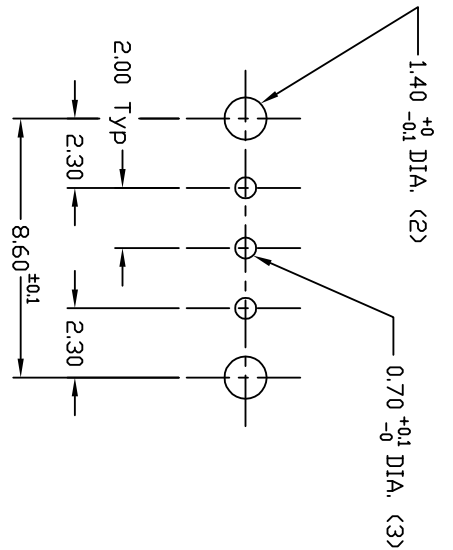
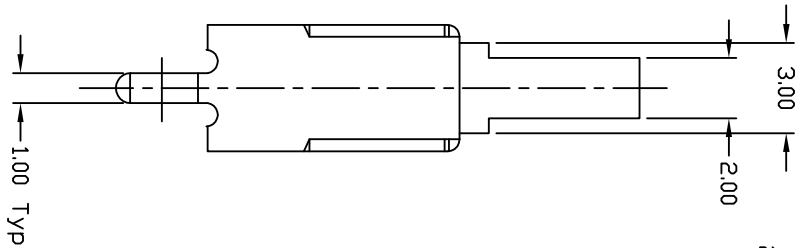
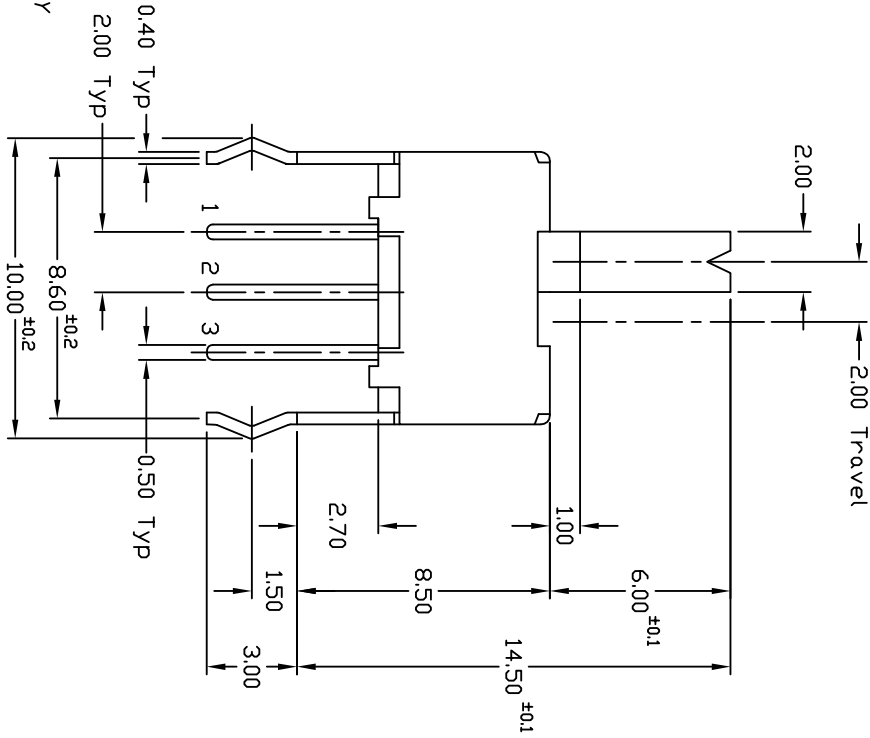
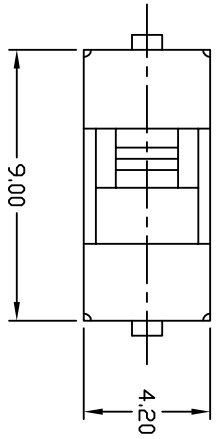
Stocking Distributor

Click to view price, real time Inventory, Delivery & Lifecycle Information:

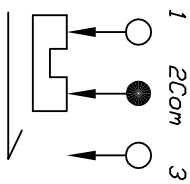
[E-Switch](#)
[EG1249](#)

For any questions, you can email us directly:

sales@integrated-circuit.com



RECOMMEND P.C.B. LAYOUT



CIRCUIT: SPDT

CONTACT CONFIGURATION

- NOTES:
1. ALL DIMENSIONS IN MM
 2. TERM. NDS. FOR REF ONLY
 3. RATING: 01A, 12V DC
 4. OPERATING FORCE: 250±150gf

REV.	DESCRIPTION	DATE	CHKD
B	E-SWITCH LOGO REMOVED	7/23/08	BLR
A	RELEASED FOR PRODUCTION	11/26/97	

TOLERANCES	
0.0	±0.4
0.00	±0.25

SCALE	DATE	DR	DWG	REV
4:1	7/23/08	MM	P040044	B
E-SWITCH® EG 1249 Non-Shorting				

THE INFORMATION CONTAINED IN THIS DOCUMENT IS PROPRIETARY TO E-SWITCH AND IS NOT TO BE COPIED OR TRANSFERRED