

Excellent Integrated System Limited

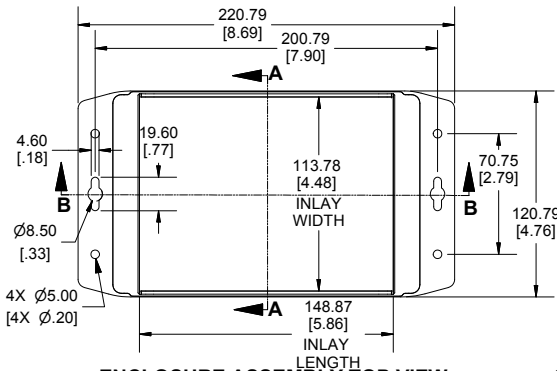
Stocking Distributor

Click to view price, real time Inventory, Delivery & Lifecycle Information:

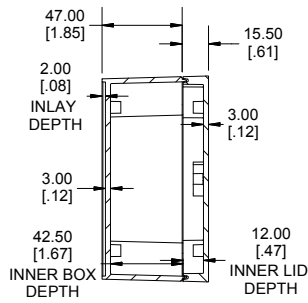
[Hammond Manufacturing](#)
[1555HF42GY](#)

For any questions, you can email us directly:

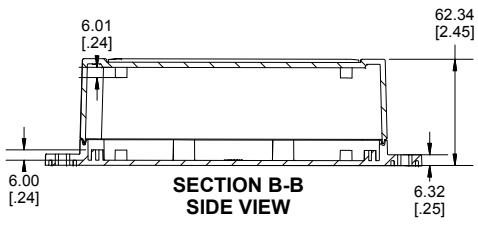
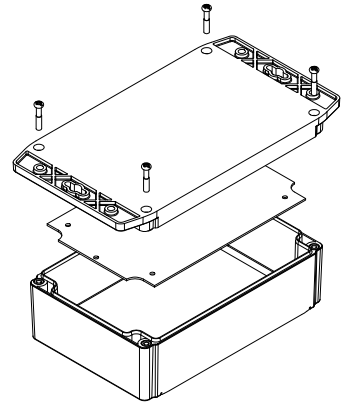
sales@integrated-circuit.com



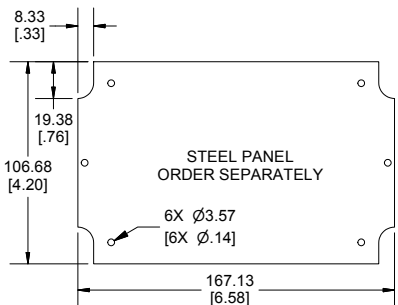
ENCLOSURE ASSEMBLY TOP VIEW



SECTION A-A END VIEW



SECTION B-B SIDE VIEW



STEEL PANEL ORDER SEPARATELY

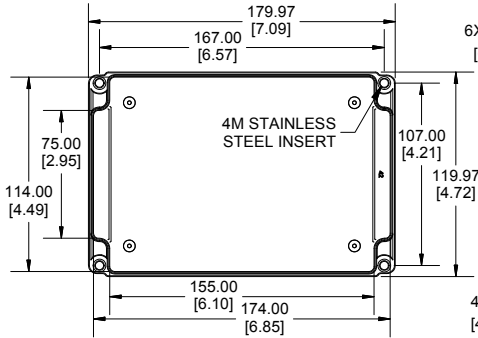
POLYCARBONATE VERSION ONLY
UL US LISTED
FILE #E65324
NEMA 4, 4X

Enclosures can be Factory Modified (Milling, Drilling, Printing etc.)
Contact Factory mjm@hammondmfg.com for quotes
Solid models of this enclosure available in STEP or IGES.
(Part number and text placement/orientation on our products are subject to change, we do not recommend using them as a locating reference for modification purposes)

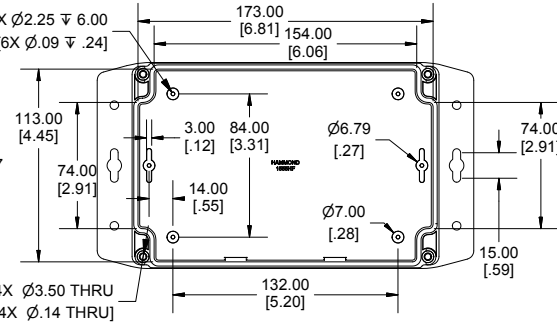
NOTE

Purchased assembly includes styled box, flanged lid, 4 cover screws, and preformed silicone gasket.
General Purpose ABS version is not UL approved. (Matl UL94 - HB)
Polycarbonate version is UL 508 approved. (Matl UL94 - 5VA @ 3mm)

Recommended Cover screw torque -- 2.5 lbf-in (30 cN-m)



INSIDE BOX VIEW



INSIDE LID VIEW

Dimensions:
mm
[inches]

| 1555HF | |
|--|-------------|
| 1555HF Regular Enclosure | |
| General Purpose ABS RAL-7035 | 1555HF42GY |
| Polycarbonate RAL-7035 | 1555H2F42GY |
| ACCESSORIES | |
| Steel Inner Panels | 1555HFPL |
| Steel Panel / P.C. Board Self Tapping Screw [Ø4 X 1/4" (6.4mm) Plated] | 1555TS100 |
| Cover Screws (Pkg 4) [M4 X 20mm Stainless Steel] | SC1554 |

HAMMOND MANUFACTURING.
1555HF42
www.hammondmfg.com