

Excellent Integrated System Limited

Stocking Distributor

Click to view price, real time Inventory, Delivery & Lifecycle Information:

[Phoenix Contact](#)
[2800324](#)

For any questions, you can email us directly:
sales@integrated-circuit.com



Extract from the online catalog

VAL-SQ SI 80-120/240S

Order No.: 2800324



<http://eshop.phoenixcontact.de/phoenix/treeViewClick.do?UID=2800324>

80 kA surge protection device for 120/240 V AC single/split phase configurations with separate Gnd and N conductors. Uses a compact, NEMA 4X-rated enclosure that connects easily to an existing enclosure.

Commercial data	
GTIN (EAN)	 4 046356 564922
Note	Made-to-order
sales group	J103
Pack	1 pcs.
Customs tariff	85363090
Catalog page information	Page 78 (TT-2011)

Product notes

WEEE/RoHS-compliant since:
02/21/2010



<http://www.download.phoenixcontact.com>
Please note that the data given here has been taken from the online catalog. For comprehensive information and data, please refer to the user documentation. The General Terms and Conditions of Use apply to Internet downloads.

Product description

80 kA Type 1 surge protective device for single and split phase systems with separate Gnd and N

VAL-SQ SI 80-120/240S Order No.: 2800324
<http://eshop.phoenixcontact.de/phoenix/treeViewClick.do?UID=2800324>

Technical data
Standards

Housing material	Non-metallic
Degree of protection	NEMA 4X
Mounting type	1/2 inch NPT male
Design	MOV
Ambient temperature (operation)	-40 °C ... 70 °C
Altitude	3658 m
Message: Surge protection fault	Optical
Width	76.00 mm
Height	91.00 mm

Protective circuit

Arrester rated voltage U_c	150 V
------------------------------	-------

Connection, protective circuit

Connection method	#12 AWG wires / 24 in. (61 cm)
-------------------	--------------------------------

NEMA / UL data

UL type	type 1
Nominal discharge current I_n (without reference direction)	10 kA
Maximum Surge Current per Phase	80 kA
Short-circuit current rating (SCCR)	25 kA

Environmental conditions

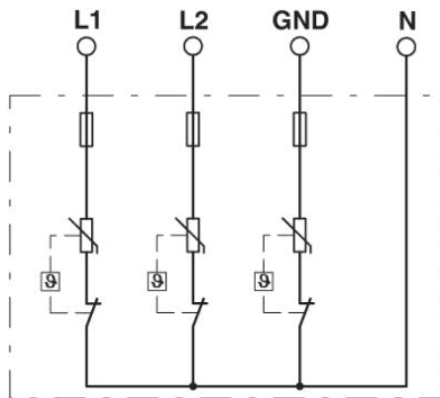
Standards/regulations	UL 1449 3 rd edition, Sept. 2009
	UL 1283
	IEEE C62.41
	IEEE C62.45

VAL-SQ SI 80-120/240S Order No.: 2800324

<http://eshop.phoenixcontact.de/phoenix/treeViewClick.do?UID=2800324>

Diagrams/Drawings

Circuit diagram



VAL-SQ SI 80-120/240S Order No.: 2800324

<http://eshop.phoenixcontact.de/phoenix/treeViewClick.do?UID=2800324>

Address

PHOENIX CONTACT Inc., USA
586 Fulling Mill Road
Middletown, PA 17057, USA
Phone (800) 888-7388
Fax (717) 944-1625
<http://www.phoenixcon.com>



© 2011 Phoenix Contact
Technical modifications reserved;