

Excellent Integrated System Limited

Stocking Distributor

Click to view price, real time Inventory, Delivery & Lifecycle Information:

[KEMET](#)

[PHE840EY7100MD16R06L2](#)

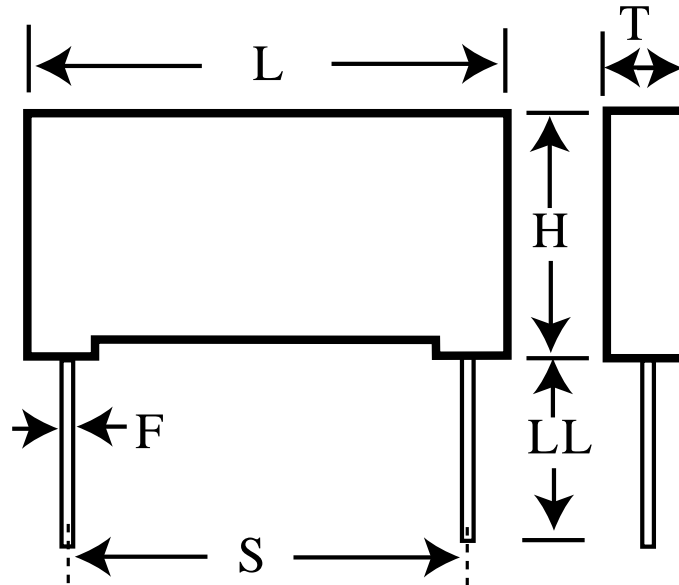
For any questions, you can email us directly:

sales@integrated-circuit.com

PHE840EY7100MD16R06L2

aka F840DT105M300C

Capacitor, film, 1 uF, +/-20% Tol, -55/+105C, Safety: X2, 300VAC, Lead Spacing=22.5 mm



Dimensions (mm)

Specifications

ID	Dimension	Tolerance
L	26	max
H	21.5	max
T	11	max
S	22.5	+/-0.4
LL	6	nom
F	0.8	nom

Manufacturer:	KEMET
Brand:	Rifa
Capacitance:	1 uF
Temperature Range:	-55/+105C
Rated Temperature:	105C
Voltage @ rated temp:	760V
Voltage AC:	300VAC
Tolerance:	+/-20%
Body Type:	Radial Box
Construction:	Wound
Application:	Safety: X2
Dissipation Factor @ 1 kHz:	0.1%
Dissipation Factor @ 10 kHz:	0.4%
Insulation Resistance:	10 GOhm
Maximum dVdT:	100v/us
UL_1414:	250V
UL_1283:	300V
IEC_60384-14:	300V
EN_132400:	300V
C_22.2_NO.1:	250V
C_22.2_NO.8:	300V
Miscellaneous Electrical:	UL/CSA VAC= 280; fo= &DD2&"MHz series(PHE840E)
Package Kind:	Bulk
Package Type:	Tray
Package Quantity:	253