

## Excellent Integrated System Limited

Stocking Distributor

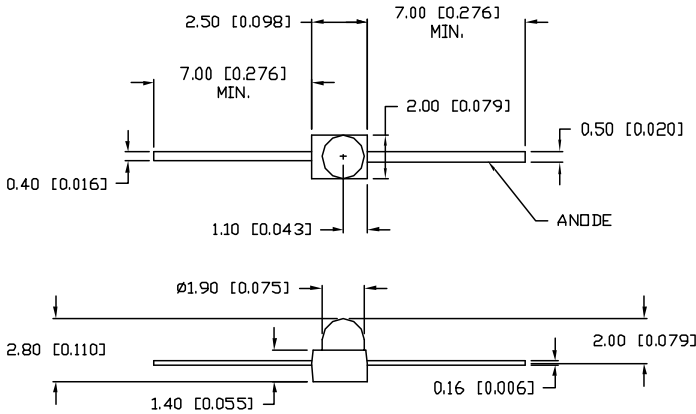
Click to view price, real time Inventory, Delivery & Lifecycle Information:

[Lumex, Inc.](#)  
[SSL-LXA228SRD](#)

For any questions, you can email us directly:  
[sales@integrated-circuit.com](mailto:sales@integrated-circuit.com)

UNCONTROLLED DOCUMENT

| PART NUMBER   |                                     | REV.     |
|---------------|-------------------------------------|----------|
| SSL-LXA228SRD |                                     | D        |
| REV.          | E.C.N. NUMBER AND REVISION COMMENTS | DATE     |
| A             | E.C.N. #10541.                      | 8.3.99   |
| B             | E.C.N. #10743.                      | 5.31.01  |
| C             | E.C.N. #10784.                      | 9.7.01   |
| D             | E.C.N. #11148                       | 11.15.06 |



Ⓜ ELECTRO-OPTICAL CHARACTERISTICS  $T_A=25^\circ\text{C}$   $I_f=20\text{mA}$

| PARAMETER          | MIN          | TYP | MAX | UNITS          | TEST COND            |
|--------------------|--------------|-----|-----|----------------|----------------------|
| PEAK WAVELENGTH    |              | 660 |     | nm             |                      |
| FORWARD VOLTAGE    |              | 1.7 | 2.2 | V <sub>f</sub> |                      |
| REVERSE VOLTAGE    | 4.0          |     |     | V <sub>r</sub> | $I_f=100\mu\text{A}$ |
| AXIAL INTENSITY    |              | 150 |     | mcad           | $I_f=20\text{mA}$    |
| VIEWING ANGLE      |              | 50  |     | 2x theta       |                      |
| EMITTED COLOR:     | RED          |     |     |                |                      |
| EPOXY LENS FINISH: | RED DIFFUSED |     |     |                |                      |

Ⓜ LIMITS OF SAFE OPERATION AT 25°C

| PARAMETER                | MAX        | UNITS      |
|--------------------------|------------|------------|
| PEAK FORWARD CURRENT*    | 160        | mA         |
| STEADY CURRENT           | 25         | mA         |
| POWER DISSIPATION        | 60         | mW         |
| DERATE FROM 25°C         | -1.2       | mW/°C      |
| OPERATING, STORAGE TEMP. | -40 TO +85 | °C         |
| SOLDERING TEMP.          | +260       | °C         |
| 2mm FROM BODY            |            | 3 SEC. MAX |

\*  $t < 10\mu\text{S}$



UNCONTROLLED DOCUMENT

\*UNLESS OTHERWISE SPECIFIED TOLERANCES PER DECIMAL PRECISION ARE: X=±1 (±0.039), XX=±0.5 (±0.020), XXX=±0.25 (±0.010), XXXX=±0.127 (±0.005). LEAD SIZE=±0.05 (±0.002), LEAD LENGTH=±0.75 (±0.030). MIN.=+DECIMAL PRECISION -0.00 MAX.=+0.00 -DECIMAL PRECISION

|  |                              |   |  |
|--|------------------------------|---|--|
| REV.<br>D  | PART NUMBER<br>SSL-LXA228SRD | <p><b>CONFIDENTIAL INFORMATION</b><br/>                 THE INFORMATION CONTAINED IN THIS DOCUMENT IS THE PROPERTY OF LUMEX INC. EXCEPT AS SPECIFICALLY AUTHORIZED IN WRITING BY LUMEX INC., THE HOLDER OF THIS DOCUMENT SHALL KEEP ALL INFORMATION CONTAINED HEREIN CONFIDENTIAL AND SHALL PROTECT SAME IN WHOLE OR IN PART FROM DISCLOSURE AND DISSEMINATION TO ALL THIRD PARTIES.</p> <p><b>RELIABILITY NOTE</b><br/>                 OUR MANY YEARS OF EXPERIENCE DATA ACCUMULATION INDICATE THAT SOLDER HEAT IS A MAJOR CAUSE OF EARLY AND FUTURE FAILURE. PLEASE PAY ATTENTION TO YOUR SOLDERING PROCESS.</p> | <p><b>LUMEX</b><br/>                 290 E. HELEN ROAD<br/>                 PALATINE, IL 60067-6976<br/>                 PHONE: +1.847.359.2790<br/>                 US WEB: www.lumex.com<br/>                 TW WEB: www.lumex.com.tw</p> |
| T-2.5mm AXIAL LEADED LED,<br>660nm SUPER RED LED, RED DIFFUSED LENS. |                              | DRAWN BY: jc<br>CHECKED BY:<br>APPROVED BY:   | DATE: 11.15.06<br>PAGE: 1 OF 1<br>SCALE: N/A   |