

Excellent Integrated System Limited

Stocking Distributor

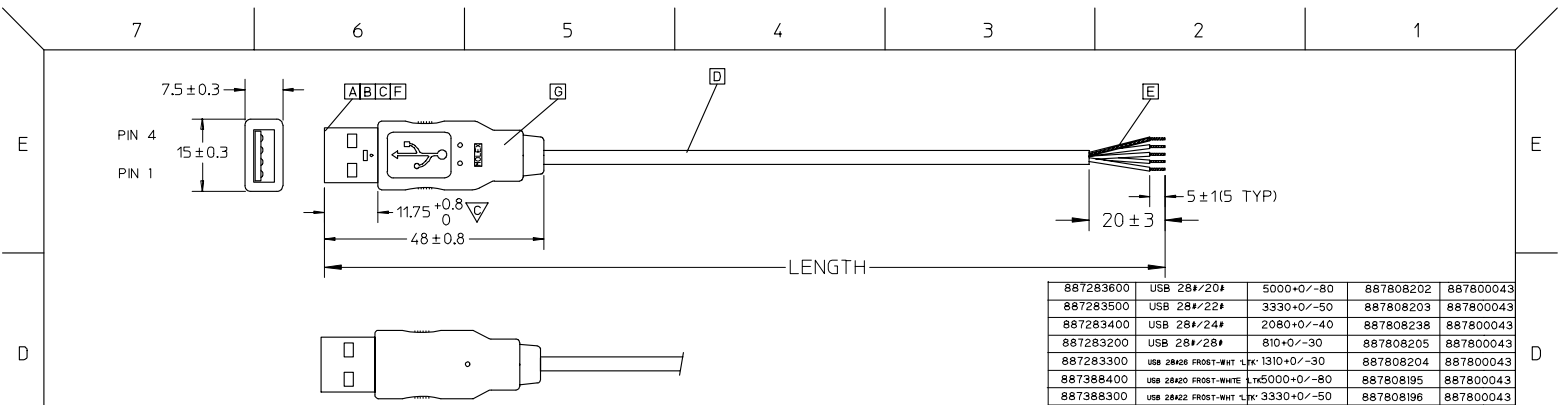
Click to view price, real time Inventory, Delivery & Lifecycle Information:

[Molex Connector Corporation](#)

[0887283502](#)

For any questions, you can email us directly:

sales@integrated-circuit.com



887283600	USB 284/204	5000+0/-80	887808202	887800043	
887283500	USB 284/224	3330+0/-50	887808203	887800043	
887283400	USB 284/244	2080+0/-40	887808238	887800043	
887283200	USB 284/284	810+0/-30	887808205	887800043	
887283300	USB 28428 FROST-WHT LTK	1310+0/-30	887808204	887800043	
887388400	USB 28420 FROST-WHITE LTK	5000+0/-80	887808195	887800043	
887388300	USB 28422 FROST-WHT LTK	3330+0/-50	887808196	887800043	
887388200	USB 28424 FROST-WHT LTK	2080+0/-40	887808197	887800043	
887388100	USB 28428 FROST-WHT LTK	1310+0/-30	887808198	887800043	
887388000	USB 28428 FROST-WHT LTK	810+0/-30	887808199	887800043	
887283602	USB 284/204	5000+0/-80	887808230	887800019	
887283502	USB 284/224	3330+0/-50	887808229	887800019	
887283402	USB 284/244	2080+0/-40	887808240	887800019	
887283202	USB 284/284	810+30/-0	887808218	887800019	
887283302	USB 284/264	1310+0/-30	887808228	887800019	
887388401	USB 28/22 LTK	5000+0/-80	887808216	887800059	
887388301	USB 28/22 LTK	3330+0/-50	887808216	887800059	
887388201	USB 28/26 LTK	2080+0/-40	887808215	887800059	
887388101	USB 28/26 LTK	1310+0/-30	887808214	887800059	
887388001	USB 28/28 LTK	810+0/-30	887808213	887800059	
	MOLEX P/N	DESCRIPTION	LENGTH	CABLE P/N	PVC P/N

NOTE:1
 1. INNER MOLD WITH PE RESIN 887800008.
 OUTER MOLD WITH PVC RESIN P/N:SEE TABLE
 2. ELECTRICAL PERFORMANCE:
 2.1 DIELECTRIC STRENGTH
 2.2 INSULATION RESISTANCE
 2.3 CONDUCTIVE RESISTANCE
 2.4 CABLE IMPEDANCE
 2.5 ATTENUATION
 2.6 PROPAGATION DELAY
 2.7 SIGNAL PAIR SKEW
 REFER TO ES-003 ELECTRICAL SPECIFICATION FOR DETAILS
 3. THIS PRODUCT MUST MEET MX RoHS COMPLIANCE.
 4. TERMINAL APPLICATION:
 20-24AWG USE TERMINAL P/N 887809090
 26-28AWG USE TERMINAL P/N 887809091

SHELL	SHIELDING	BRAID WIRE
4	GROUND	BLACK
3	+DATA	GREEN
2	-DATA	WHITE
1	VCC	RED
CONTACT POSITION	SIGNAL NAME	WIRE COLOR

ITEM	DESCRIPTION	L	QTY.
F	TERMINAL		
E	HST F OD=1.5mm BLK. 887805000	15	1
D	USB CABLE		1
C	REAR SHELL 887809084		1
B	FRONT SHELL 887809083		1
A	CRIMP HOUSING 887809086		1

ENTER DESCRIPTION EC NO: DG2006-0027 DRAWN: JFZHENG CHKD: HXIE APPR: BLAU	QUALITY SYMBOLS ▽=0 ▽=0	GENERAL TOLERANCES (UNLESS SPECIFIED)		DIMENSION STYLE	SCALE	DESIGN UNITS	THIRD ANGLE PROJECTION	
				MM ONLY	---	METRIC		
				DRAWN BY	DATE	TITLE		
				JFZHENG	2007/07/12	USB A-PIGTAIL CABLE ASSY		
		CHECKED BY		DATE				
		HXIE		2007/07/12				
		APPROVED BY		DATE	MOLEX MOLEX INCORPORATED			
		BLAU		2007/07/12				
		MATERIAL NO.		DOCUMENT NO.	SHEET NO.			
		SEE TABLE		SD-88738-001	1 OF 1			
		SIZE		THIS DRAWING CONTAINS INFORMATION THAT IS PROPRIETARY TO MOLEX INCORPORATED AND SHOULD NOT BE USED WITHOUT WRITTEN PERMISSION				
		A4						