

Excellent Integrated System Limited

Stocking Distributor

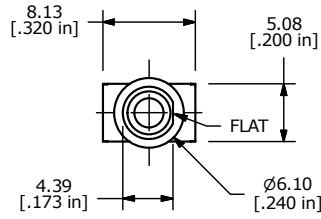
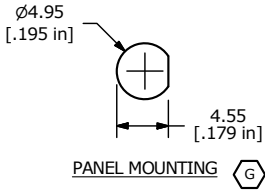
Click to view price, real time Inventory, Delivery & Lifecycle Information:

[E-Switch](#)
[800SP9B5M1QEH](#)

For any questions, you can email us directly:

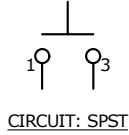
sales@integrated-circuit.com

SHEET 1 OF 1

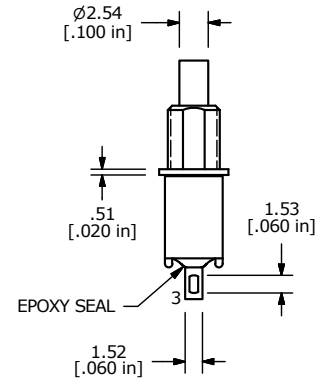
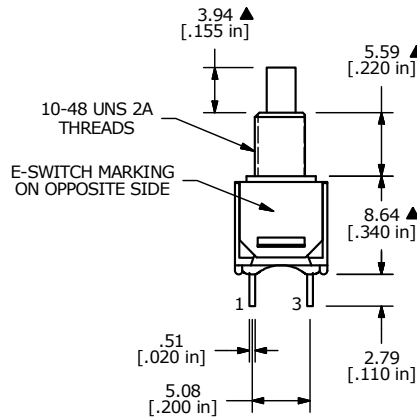


SWITCH FUNCTION	
POS. 1	POS. 2
OFF	(ON)
OPEN	1-3

(ON)=MOMENTARY



- NOTE:
1. ALL DIMENSIONS IN MM [INCH]
 2. GENERAL TOLERANCE: X.X=±0.4 X.XX=±0.25
 3. TERMINAL NUMBERS FOR REF ONLY
 - ▲ 4. CONTACT MATERIAL: SILVER
 - ▲ 5. RATING: 1A @ 250 VAC
3A @ 120 VAC OR 28 VDC
 6. MECHANICAL LIFE: 50,000 MAKE-AND-BREAK CYCLES
 7. CONTACT RESISTANCE: 20 mΩ MAX. INITIAL @ 2-4VDC 100mA FOR BOTH GOLD AND SILVER CONTACTS
 8. INSULATION RESISTANCE: 1,000 MEGA-OHM MIN.
 9. DIELECTRIC STRENGTH: 1,000 V RMS @SEA LEVEL.
 10. OPERATING TEMP.: -30°C to 85°C
 11. ▲ DENOTES CRITICAL PARAMETER.
 12. 2002/95/EC (ROHS) COMPLIANT



G	21901	PANEL MNT. DIM. TO 4.55 x Ø 4.95	7/14/15	MW
F	20026	CORRECT PANEL MOUNT DETAIL	06/23/11	BMA
E	19997	UPDATE DRAWING	06/14/11	BMA
D	16015	REVISED AND REDRAWN	05/09/06	CT
REV	PCR NO	DESCRIPTION	DATE	BY

TITLE 800SP9B5M1QE				
SCALE	DATE	DR	DWG	REV
2:1	6/14/2011	BMA	T811003	G

THE INFORMATION CONTAINED IN THIS DOCUMENT IS PROPRIETARY TO E-SWITCH AND IS NOT TO BE COPIED OR TRANSFERRED