

Excellent Integrated System Limited

Stocking Distributor

Click to view price, real time Inventory, Delivery & Lifecycle Information:

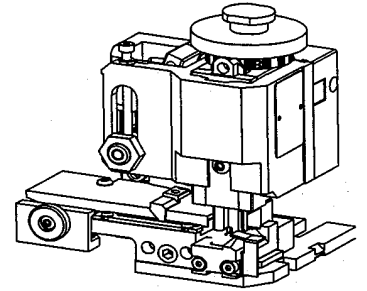
[Molex Connector Corporation](#)
[0638604270](#)

For any questions, you can email us directly:

sales@integrated-circuit.com



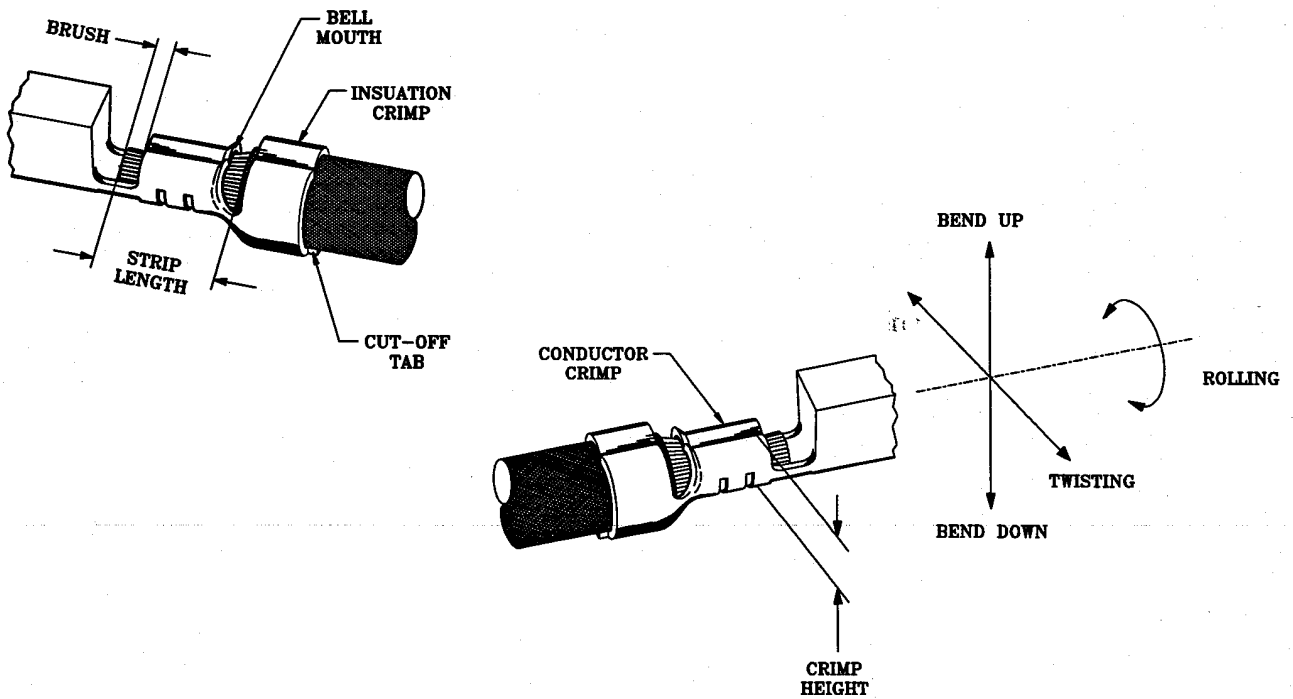
SPECIFICATION SHEET
FineAdjust Applicator
63860-4200
REVISION A



SCOPE

Terminal Series No	Wire Size		Insulation Diameter		Strip Length	
	Awg	(mm ²)	mm	(in)	mm	(in)
70021-001*	32-36	(0.03-0.01)	0.43-0.64	(.017-.025)	3.17-3.56	(.125-.140)

DEFINITION OF TERMS



The above terminal drawing is a generic terminal representation. It is not an image of a terminal listed in the scope

SPECIFICATIONS

Terminal Series No.	Bellmouth		Cut-Off Tab Max.		Conductor Brush	
	mm	(in)	Front mm (in)	Rear mm (in)	mm	(in)
70021-001*	0.20-0.50	(.008-.020)	0.13 (.005)	0.13 (.005)	0.00-1.00	(.000-.039)

Terminal Series No.	Bend Up	Bend Down	Twist	Roll	Punch Width mm	
	Degree		Degree		Conductor	Insulation
70021-001*	3	3	3	8	0.90	1.40

The above specifications are guidelines to an optimum crimp.

CONDITIONS

After crimping, the conductor profile should measure the following.

Terminal Series	Wire Size		Crimp Height		Pull Force Min	
	Awg	(mm ²)	mm	(in)	N	(lbs)
70021-001*	32	(0.03)	0.64-0.66	(.025-.026)	4.4	(1.0)
70021-001*	34	(0.02)	0.61-0.64	(.024-.025)	2.7	(0.6)
70021-001*	36	(0.01)	0.61-0.64	(.024-.025)	1.8	(0.4)

Pull Force measured with no influence from the insulation crimp

PARTS LIST

Item Number	Order Number	Eng Number	Description	Qty	Kit Part
1	634440914	634440914	Conductor Punch	1	Y
2	634450931	634450931	Conductor Anvil	1	Y
3	634461423	634461423	Insulation Punch	1	Y
4	634451425	634451425	Insulation Anvil	1	Y
5	634430003	634430003	Cut-Off Plunger	2	Y
6	634430012	634430012	Front Plunger Retainer	1	Y
16	634431402	634431402	Cut-off Die Blade	1	Y
20	634431002	634431002	Rear Plunger Retainer	1	Y
7	11-24-1067	4996-4	Cut-Off Plunger Spring	2	
8	11-40-4039	8302-5	Front Plunger Striker	1	
9	634430021	634430021	Lower Tooling Key	1	
10	634436003	634436003	Rear Cover	1	
11	11-18-4083	60707-8	Front Cover	1	
13	11-18-4020	60704-8	Wire Stop	1	
15	638004900	638004900	FineAdjust Applicator	1	
32	634433060	634433060	Rear Plunger Striker	1	
36	634432106	634432106	Front Spacer	1	
38	11-40-4382	8341-8	Shank	1	
42	11-17-0022	1739-21	Hold Down Spring	1	
70	638604270	638604270	Tool Kit (All "Y" Items)	0	

NOTES

1. We recommend an extra perishable tooling kit be maintained at your facility.
2. Verify tooling alignment by manually cycling the press and Applicator before crimping under power.
3. Slugs , Terminals, Dirt and Oil should be kept clear of work area.
4. This applicator should only be used in a press with a shut height of 135.8 mm (5.346"). Tooling damage could result at a lower setting.
5. **** CAUTION**** To prevent injury never operate this Applicator without the guarding supplied with the press or wire processing machine in place. Reference the press or wire processing manufacturer's instruction manual.
6. Wear safety glasses at all times.

ASSEMBLY DRAWING

The drawing below is a generic drawing representation. Some detail may not be shown.
 The FineAdjust applicator assembly and parts list can be found in the FineAdjust manual.

