

## Excellent Integrated System Limited

Stocking Distributor

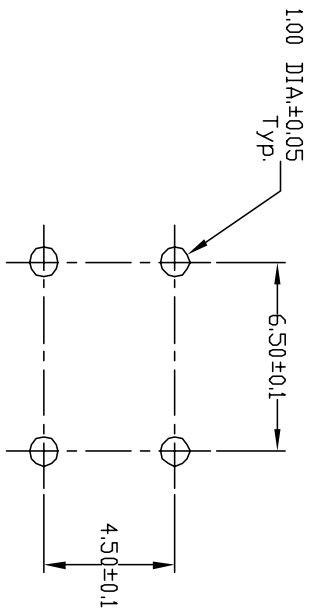
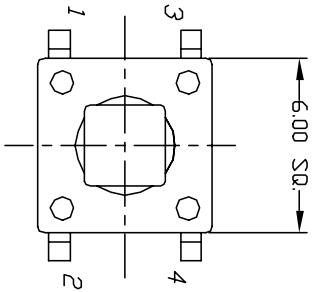
Click to view price, real time Inventory, Delivery & Lifecycle Information:

[E-Switch](#)  
[TL1105SPF160Q](#)

For any questions, you can email us directly:

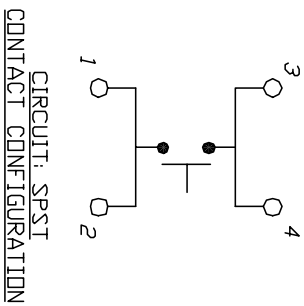
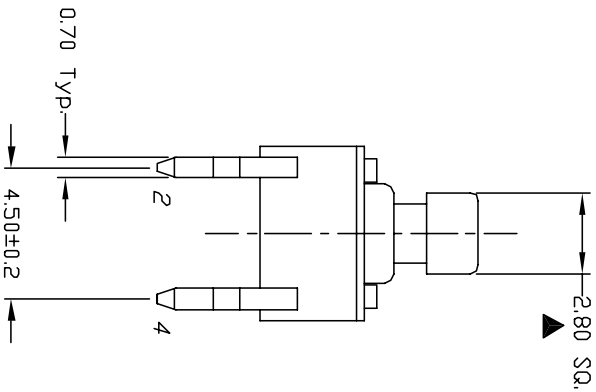
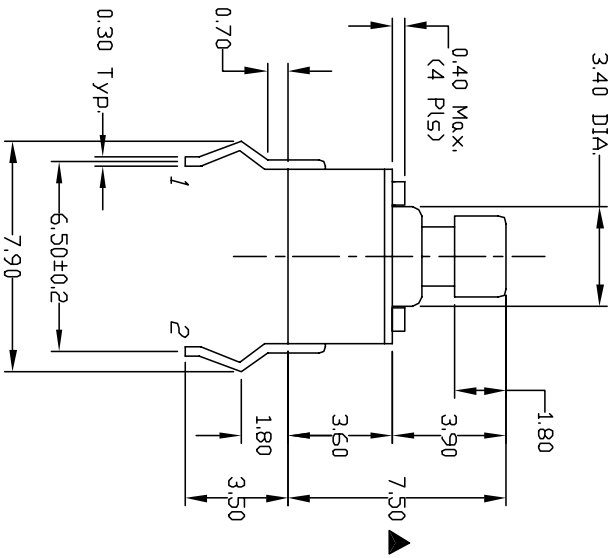
[sales@integrated-circuit.com](mailto:sales@integrated-circuit.com)

SHEET OF



RECOMMEND P.C.B. LAYOUT

- NOTES:
1. ALL DIMENSIONS IN MM
  2. GENERAL TOLERANCE: 0.0=±0.4  
0.00=±0.25
  3. TERM. NOS. FOR REF. ONLY
  4. RATING: 50mA, @12V DC
  5. TRAVEL: 0.25±0.1mm
  6. OPERATING FORCE: 160±50gf
  7. CONTACT RESISTANCE: 100 milliohms Max.
  8. ELECTRICAL LIFE: 100,000 CYCLES MIN.
  9. DESIGNATE MAJOR DIMENSIONS



REV.	10038	REVISION & REDRAWN	12/2/98	CHKD
ECN No.		DESCRIPTION	DATE	
THE INFORMATION CONTAINED IN THIS DOCUMENT IS PROPRIETARY TO E-SWITCH AND IS NOT TO BE COPIED OR TRANSMITTED				

TITLE		TL 1105 SP F160 Q		
SCALE	4:1	DATE	8/28/94	DIR
				MM
		DWG	P010201	REV
				C

**E-SWITCH®**