

Excellent Integrated System Limited

Stocking Distributor

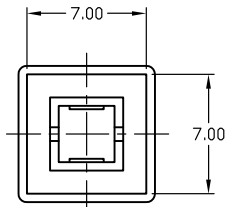
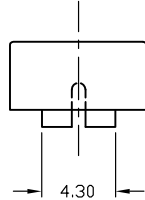
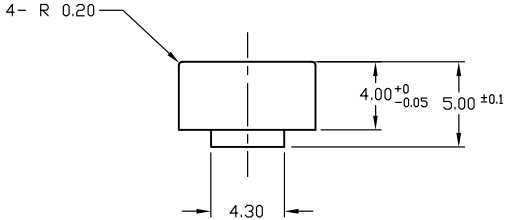
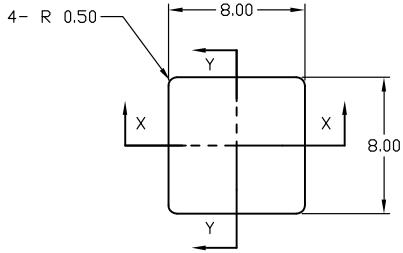
Click to view price, real time Inventory, Delivery & Lifecycle Information:

[E-Switch](#)
[6JBLK](#)

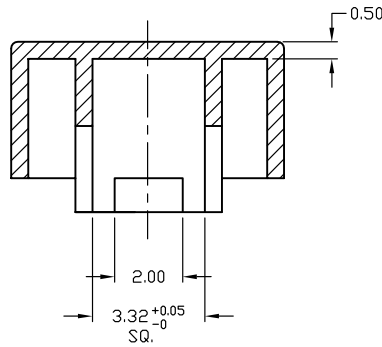
For any questions, you can email us directly:

sales@integrated-circuit.com

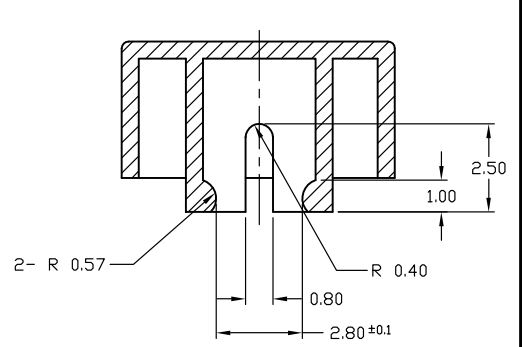
SHEET 1 OF 1



PART NO. SHOWN: 6J BUTTON BLACK



SECTION X-X DETAIL



SECTION Y-Y DETAIL

NOTES:

1. ALL DIMENSIONS IN MM

B	13423	REMOVE TABLE, UPDATE STANDARDS	9/5/03	AR
A		RELEASED FOR PRODUCTION		
REV.	ECN No.	DESCRIPTION	DATE	CHKD
<small>THE INFORMATION CONTAINED IN THIS DOCUMENT IS PROPRIETARY TO E-SWITCH AND IS NOT TO BE COPIED OR TRANSFERRED</small>				

E-SWITCH®				
TITLE 6JBLK BUTTON				
SCALE	DATE	DR	DWG	REV
3:1	11/3/97	MM	P001070	B