

Excellent Integrated System Limited

Stocking Distributor

Click to view price, real time Inventory, Delivery & Lifecycle Information:

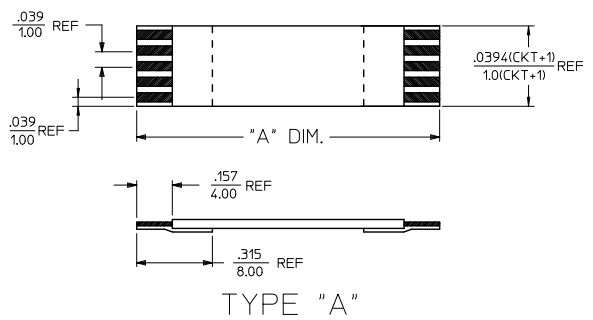
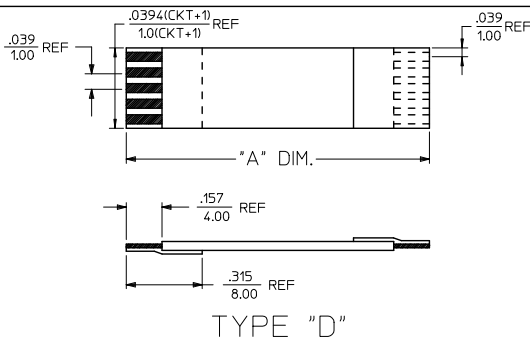
[Molex Connector Corporation](#)
[0210390727](#)

For any questions, you can email us directly:

sales@integrated-circuit.com

1.00MM CENTER FFC JUMPER CABLE (LOW TEMPERATURE) CHART

Table with columns for 'A' DIM., cable length (e.g., 1.181±.079 INCHES, 30±2.00 MM), and part numbers (e.g., 210390700, 210390701, etc.) for various cable lengths from 4 to 39.



- NOTES: 1. NO PRINTING ON JUMPER CABLE UNLESS OTHERWISE SPECIFIED. IF PRINTING IS REQUIRED THEN IT WOULD BE CONSIDERED A SPECIAL JUMPER CABLE.

Technical drawing header containing drawing information (MADE DIMS REF, EC NO., DATE), quality symbols, general tolerances table, scale, design units, title, and revision information.