

## Excellent Integrated System Limited

Stocking Distributor

Click to view price, real time Inventory, Delivery & Lifecycle Information:

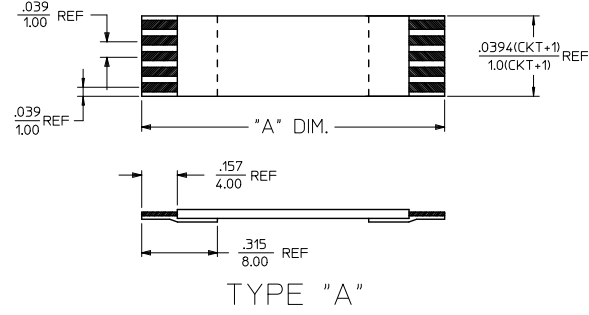
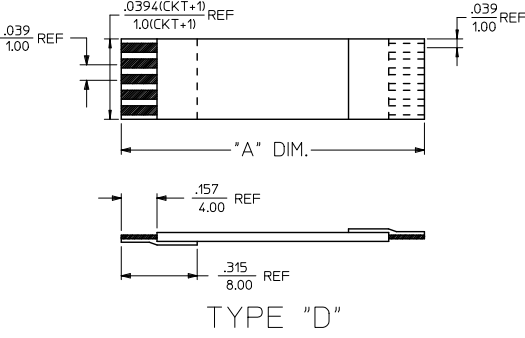
[Molex Connector Corporation](#)  
[0210390730](#)

For any questions, you can email us directly:

[sales@integrated-circuit.com](mailto:sales@integrated-circuit.com)

### 1.00MM CENTER FFC JUMPER CABLE (LOW TEMPERATURE) CHART

'A' DIM.	1.181±.079 INCHES 30±2.00 MM	2±.079 INCHES 51±2.00 MM	3±.118 INCHES 76±3.00 MM	4±.118 INCHES 102±3.00 MM	5±.157 INCHES 127±4.00 MM	6±.157 INCHES 152±4.00 MM	7±.157 INCHES 178±4.00 MM	8±.157 INCHES 203±4.00 MM	9±.197 INCHES 229±5.00 MM	10±.197 INCHES 254±5.00 MM	12±.197 INCHES 305±5.00 MM	
BACKER	TYPE 'D'	TYPE 'A'	TYPE 'D'	TYPE 'A'	TYPE 'D'	TYPE 'A'	TYPE 'D'	TYPE 'A'	TYPE 'D'	TYPE 'A'	TYPE 'D'	TYPE 'A'
CKTS: 4	210390700	210390701	210390702	210390703	210390704	210390705	210390706	210390707	210390708	210390709	210390710	210390711
CKTS: 5	210390722	210390723	210390724	210390725	210390726	210390727	210390728	210390729	210390730	210390731	210390732	210390733
CKTS: 6	210390744	210390745	210390746	210390747	210390748	210390749	210390750	210390751	210390752	210390753	210390754	210390755
CKTS: 7	210390766	210390767	210390768	210390769	210390770	210390771	210390772	210390773	210390774	210390775	210390776	210390777
CKTS: 8	210390788	210390789	210390790	210390791	210390792	210390793	210390794	210390795	210390796	210390797	210390798	210390799
CKTS: 9	210390810	210390811	210390812	210390813	210390814	210390815	210390816	210390817	210390818	210390819	210390820	210390821
CKTS: 10	210390832	210390833	210390834	210390835	210390836	210390837	210390838	210390839	210390840	210390841	210390842	210390843
CKTS: 11	210390854	210390855	210390856	210390857	210390858	210390859	210390860	210390861	210390862	210390863	210390864	210390865
CKTS: 12	210390876	210390877	210390878	210390879	210390880	210390881	210390882	210390883	210390884	210390885	210390886	210390887
CKTS: 13	210390898	210390899	210390900	210390901	210390902	210390903	210390904	210390905	210390906	210390907	210390908	210390909
CKTS: 14	210390920	210390921	210390922	210390923	210390924	210390925	210390926	210390927	210390928	210390929	210390930	210390931
CKTS: 15	210390942	210390943	210390944	210390945	210390946	210390947	210390948	210390949	210390950	210390951	210390952	210390953
CKTS: 16	210390964	210390965	210390966	210390967	210390968	210390969	210390970	210390971	210390972	210390973	210390974	210390975
CKTS: 17	210390986	210390987	210390988	210390989	210390990	210390991	210390992	210390993	210390994	210390995	210390996	210390997
CKTS: 18	210391008	210391009	210391010	210391011	210391012	210391013	210391014	210391015	210391016	210391017	210391018	210391019
CKTS: 19	210391030	210391031	210391032	210391033	210391034	210391035	210391036	210391037	210391038	210391039	210391040	210391041
CKTS: 20	210391052	210391053	210391054	210391055	210391056	210391057	210391058	210391059	210391060	210391061	210391062	210391063
CKTS: 21	210391074	210391075	210391076	210391077	210391078	210391079	210391080	210391081	210391082	210391083	210391084	210391085
CKTS: 22	210391096	210391097	210391098	210391099	210391100	210391101	210391102	210391103	210391104	210391105	210391106	210391107
CKTS: 23	210391118	210391119	210391120	210391121	210391122	210391123	210391124	210391125	210391126	210391127	210391128	210391129
CKTS: 24	210391150	210391151	210391152	210391153	210391154	210391155	210391156	210391157	210391158	210391159	210391160	210391161
CKTS: 25	210391172	210391173	210391174	210391175	210391176	210391177	210391178	210391179	210391180	210391181	210391182	210391183
CKTS: 26	210391194	210391195	210391196	210391197	210391198	210391199	210391200	210391201	210391202	210391203	210391204	210391205
CKTS: 27	210391226	210391227	210391228	210391229	210391230	210391231	210391232	210391233	210391234	210391235	210391236	210391237
CKTS: 28	210391258	210391259	210391260	210391261	210391262	210391263	210391264	210391265	210391266	210391267	210391268	210391269
CKTS: 29	210391290	210391291	210391292	210391293	210391294	210391295	210391296	210391297	210391298	210391299	210391300	210391301
CKTS: 30	210391312	210391313	210391314	210391315	210391316	210391317	210391318	210391319	210391320	210391321	210391322	210391323
CKTS: 31	210391344	210391345	210391346	210391347	210391348	210391349	210391350	210391351	210391352	210391353	210391354	210391355
CKTS: 32	210391376	210391377	210391378	210391379	210391380	210391381	210391382	210391383	210391384	210391385	210391386	210391387
CKTS: 33	210391408	210391409	210391410	210391411	210391412	210391413	210391414	210391415	210391416	210391417	210391418	210391419
CKTS: 34	210391440	210391441	210391442	210391443	210391444	210391445	210391446	210391447	210391448	210391449	210391450	210391451
CKTS: 35	210391462	210391463	210391464	210391465	210391466	210391467	210391468	210391469	210391470	210391471	210391472	210391473
CKTS: 36	210391484	210391485	210391486	210391487	210391488	210391489	210391490	210391491	210391492	210391493	210391494	210391495
CKTS: 37	210391506	210391507	210391508	210391509	210391510	210391511	210391512	210391513	210391514	210391515	210391516	210391517
CKTS: 38	210391538	210391539	210391540	210391541	210391542	210391543	210391544	210391545	210391546	210391547	210391548	210391549
CKTS: 39	210391570	210391571	210391572	210391573	210391574	210391575	210391576	210391577	210391578	210391579	210391580	210391581



NOTES:  
1. NO PRINTING ON JUMPER CABLE UNLESS OTHERWISE SPECIFIED. IF PRINTING IS REQUIRED THEN IT WOULD BE CONSIDERED A SPECIAL JUMPER CABLE.

MADE DIMS REF EC NO: USW202-0078 DRAWN:MMG 2011/10/27 CHKD: APPR:SFULLON 2011/11/02 REV:	QUALITY SYMBOLS 0 0	GENERAL TOLERANCES (UNLESS SPECIFIED) mm INCH		SCALE DIMENSION STYLE MM/IN	DESIGN UNITS INCH	THIRD ANGLE PROJECTION	REVISE ON CAD ONLY
		4 PLACES ± .01 ± .0015 3 PLACES ± .01 ± .0015 2 PLACES ± 0.13 ± .005 1 PLACE ± 0.25 ± .01 ANGULAR ± 1/2°	DRAWN BY DEMEO 02/02/22 DATE CHECKED BY T. PREMO 02/02/28 DATE APPROVED BY R. MACK 02/02/28 DATE	TITLE 1.00MM CENTER FFC JUMPER CABLE (LOW TEMPERATURE CHART)	MOLEX INCORPORATED SEE CHART SD-21039-002 DOCUMENT NO.		
DRAFT WHERE APPLICABLE MUST REMAIN WITHIN DIMENSIONS		THIS DRAWING CONTAINS INFORMATION THAT IS PROPRIETARY TO MOLEX INCORPORATED AND SHOULD NOT BE USED WITHOUT WRITTEN PERMISSION					