

Excellent Integrated System Limited

Stocking Distributor

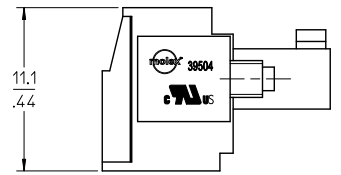
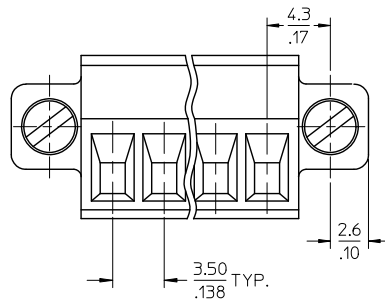
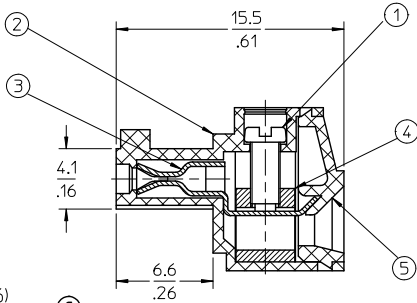
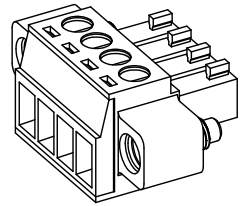
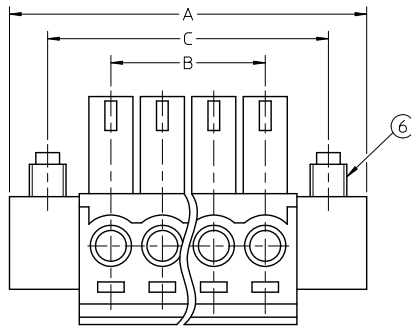
Click to view price, real time Inventory, Delivery & Lifecycle Information:

[Molex Connector Corporation](#)
[0395040002](#)

For any questions, you can email us directly:

sales@integrated-circuit.com

10 9 8 7 6 5 4 3 2 39504



SPECIFICATIONS:

1. MATERIAL:

- (1). SCREW: STEEL.
- (2). BODY: NYLON 66 (PA 66)
- (3). TERMINAL: PHOSPHOR BRONZE
- (4). CAGE (*): BRASS
- (5). COVER: NYLON 66 (PA 66)
- (6). SCREW: STEEL.

2. PRODUCT SPECIFICATION: PS-39500-001.

3. WIRE RANGE: 30 - 16AWG.

4. TORQUE: 2 in-lbs.

5. WIRE STRIP LENGTH: 6.50/256.

6. NUMBER OF CIRCUIT POSITIONS AVAILABLE = 2 THROUGH 20.

7. ASSEMBLY IS ROHS COMPLIANT BY EXEMPTION.

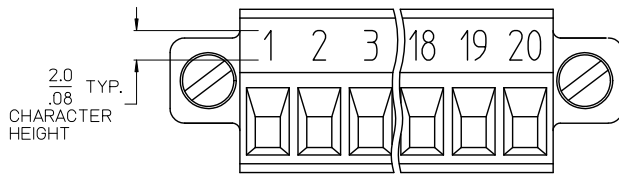
COMPONENTS MARKED WITH AN ASTERISK (*) ARE ROHS COMPLIANT BY EXEMPTION, ALL OTHERS ARE ROHS COMPLIANT.

FIX TYPO-TERM MATERIAL EC NO: WNA2010-0708 DRAWN BY: CHENGLIYU CHECKED BY: CHENGLIYU APPROVED BY: CHENGLIYU DATE: 2010/06/28 DATE: 01/06/06 DATE: 2010/07/09	QUALITY SYMBOLS	GENERAL TOLERANCES (UNLESS SPECIFIED) <table border="1"> <thead> <tr> <th></th> <th>mm</th> <th>INCH</th> </tr> </thead> <tbody> <tr> <td>4 PLACES</td> <td>± .005</td> <td>± .0002</td> </tr> <tr> <td>3 PLACES</td> <td>± .005</td> <td>± .0002</td> </tr> <tr> <td>2 PLACES</td> <td>± 0.13</td> <td>± .01</td> </tr> <tr> <td>1 PLACE</td> <td>± 0.3</td> <td>± .01</td> </tr> </tbody> </table> ANGULAR ± 2° DRAFT WHERE APPLICABLE MUST REMAIN WITHIN DIMENSIONS		mm	INCH	4 PLACES	± .005	± .0002	3 PLACES	± .005	± .0002	2 PLACES	± 0.13	± .01	1 PLACE	± 0.3	± .01	DIMENSION STYLE: MM/IN SCALE: 4:1 DESIGN UNITS: INCH THIRD ANGLE PROJECTION
			mm	INCH														
	4 PLACES		± .005	± .0002														
	3 PLACES		± .005	± .0002														
2 PLACES	± 0.13	± .01																
1 PLACE	± 0.3	± .01																
DRAWN BY: LROTHAUS CHECKED BY: C. YORK APPROVED BY: J. PAWLICKI DATE: 12/06/05 DATE: 01/06/06 DATE: 01/10/06	TITLE: 3.50MM, EURO TERM BLOCK RIGHT ANGLE, PLUG, MOUNTING ENDS MOLEX INCORPORATED DOCUMENT NO. SD-39504-001 SHEET NO. 1 OF 2																	
MATERIAL NO. SEE SHEET 2 SIZE B	THIS DRAWING CONTAINS INFORMATION THAT IS PROPRIETARY TO MOLEX INCORPORATED AND SHOULD NOT BE USED WITHOUT WRITTEN PERMISSION																	

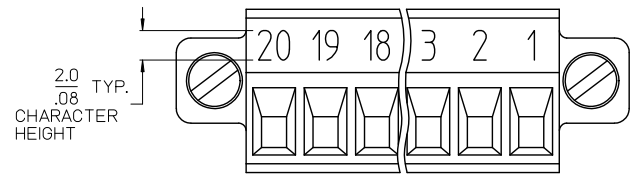
9 8 7 6 5 4 3 2 1

10 9 8 7 6 5 4 3 2 1

Circuit size	Material Numbers												Dimensional Information							
	Black						Green						Dim. A		Dim. B		Dim. C			
	100% Tin			30 u" Gold			100% Tin			30 u" Gold			mm		inch		mm		inch	
	Printing Options			Printing Options			Printing Options			Printing Options										
2	39504002	395040102	395040202	395040502	395040602	395040702	395045002	395045102	395045202	395045502	395045602	395045702	17.30	0.681	3.50	0.138	12.10	0.476		
3	39504003	395040103	395040203	395040503	395040603	395040703	395045003	395045103	395045203	395045503	395045603	395045703	20.80	0.819	7.00	0.276	16.60	0.614		
4	39504004	395040104	395040204	395040504	395040604	395040704	395045004	395045104	395045204	395045504	395045604	395045704	24.30	0.957	10.50	0.413	19.10	0.752		
5	39504005	395040105	395040205	395040505	395040605	395040705	395045005	395045105	395045205	395045505	395045605	395045705	27.80	1.094	14.00	0.551	22.60	0.890		
6	39504006	395040106	395040206	395040506	395040606	395040706	395045006	395045106	395045206	395045506	395045606	395045706	31.30	1.232	17.50	0.689	26.10	1.028		
7	39504007	395040107	395040207	395040507	395040607	395040707	395045007	395045107	395045207	395045507	395045607	395045707	34.80	1.370	21.00	0.827	29.60	1.165		
8	39504008	395040108	395040208	395040508	395040608	395040708	395045008	395045108	395045208	395045508	395045608	395045708	38.30	1.508	24.50	0.965	33.10	1.303		
9	39504009	395040109	395040209	395040509	395040609	395040709	395045009	395045109	395045209	395045509	395045609	395045709	41.80	1.646	28.00	1.102	36.60	1.441		
10	39504010	395040110	395040210	395040510	395040610	395040710	395045010	395045110	395045210	395045510	395045610	395045710	45.30	1.783	31.50	1.240	40.10	1.579		
11	39504011	395040111	395040211	395040511	395040611	395040711	395045011	395045111	395045211	395045511	395045611	395045711	48.80	1.921	35.00	1.378	43.60	1.717		
12	39504012	395040112	395040212	395040512	395040612	395040712	395045012	395045112	395045212	395045512	395045612	395045712	52.30	2.059	38.50	1.516	47.10	1.854		
13	39504013	395040113	395040213	395040513	395040613	395040713	395045013	395045113	395045213	395045513	395045613	395045713	55.80	2.197	42.00	1.654	50.60	1.992		
14	39504014	395040114	395040214	395040514	395040614	395040714	395045014	395045114	395045214	395045514	395045614	395045714	59.30	2.335	45.50	1.791	54.10	2.130		
15	39504015	395040115	395040215	395040515	395040615	395040715	395045015	395045115	395045215	395045515	395045615	395045715	62.80	2.472	49.00	1.929	57.60	2.268		
16	39504016	395040116	395040216	395040516	395040616	395040716	395045016	395045116	395045216	395045516	395045616	395045716	66.30	2.610	52.50	2.067	61.10	2.406		
17	39504017	395040117	395040217	395040517	395040617	395040717	395045017	395045117	395045217	395045517	395045617	395045717	69.80	2.748	56.00	2.205	64.60	2.543		
18	39504018	395040118	395040218	395040518	395040618	395040718	395045018	395045118	395045218	395045518	395045618	395045718	73.30	2.886	59.50	2.343	68.10	2.681		
19	39504019	395040119	395040219	395040519	395040619	395040719	395045019	395045119	395045219	395045519	395045619	395045719	76.80	3.024	63.00	2.480	71.60	2.819		
20	39504020	395040120	395040220	395040520	395040620	395040720	395045020	395045120	395045220	395045520	395045620	395045720	80.30	3.161	66.50	2.618	75.10	2.957		



10A IMPRINTING



11A IMPRINTING

SEE SHEET 1 EC NO: WNA2010-0708 2010/06/28 C DRINKLOR CHKDOTIUS APPRODOTIUS 2010/07/09	QUALITY SYMBOLS	GENERAL TOLERANCES (UNLESS SPECIFIED) mm INCH 4 PLACES ± --- ± --- 3 PLACES ± --- ± .005 2 PLACES ± 0.13 ± .01 1 PLACE ± 0.3 ± --- ANGULAR ± 2° DRAFT WHERE APPLICABLE MUST REMAIN WITHIN DIMENSIONS	DIMENSION STYLE	SCALE	DESIGN UNITS	THIRD ANGLE PROJECTION	
	DESCRIPTION		MM/IN	4:1	INCH	☉	
	REV		DRAWN BY	DATE	TITLE	MOLEX INCORPORATED SD-39504-001	
			CHECKED BY	DATE	3.50MM, EURO TERM. BLOCK RIGHT ANGLE, PLUG, MOUNTING ENDS		
	APPROVED BY	DATE	MOLEX INCORPORATED SD-39504-001				
	MATERIAL NO.	DATE	THIS DRAWING CONTAINS INFORMATION THAT IS PROPRIETARY TO MOLEX INCORPORATED AND SHOULD NOT BE USED WITHOUT WRITTEN PERMISSION				
	SIZE	SHEET NO.	2 OF 2				

9 8 7 6 5 4 3 2 1