

Excellent Integrated System Limited

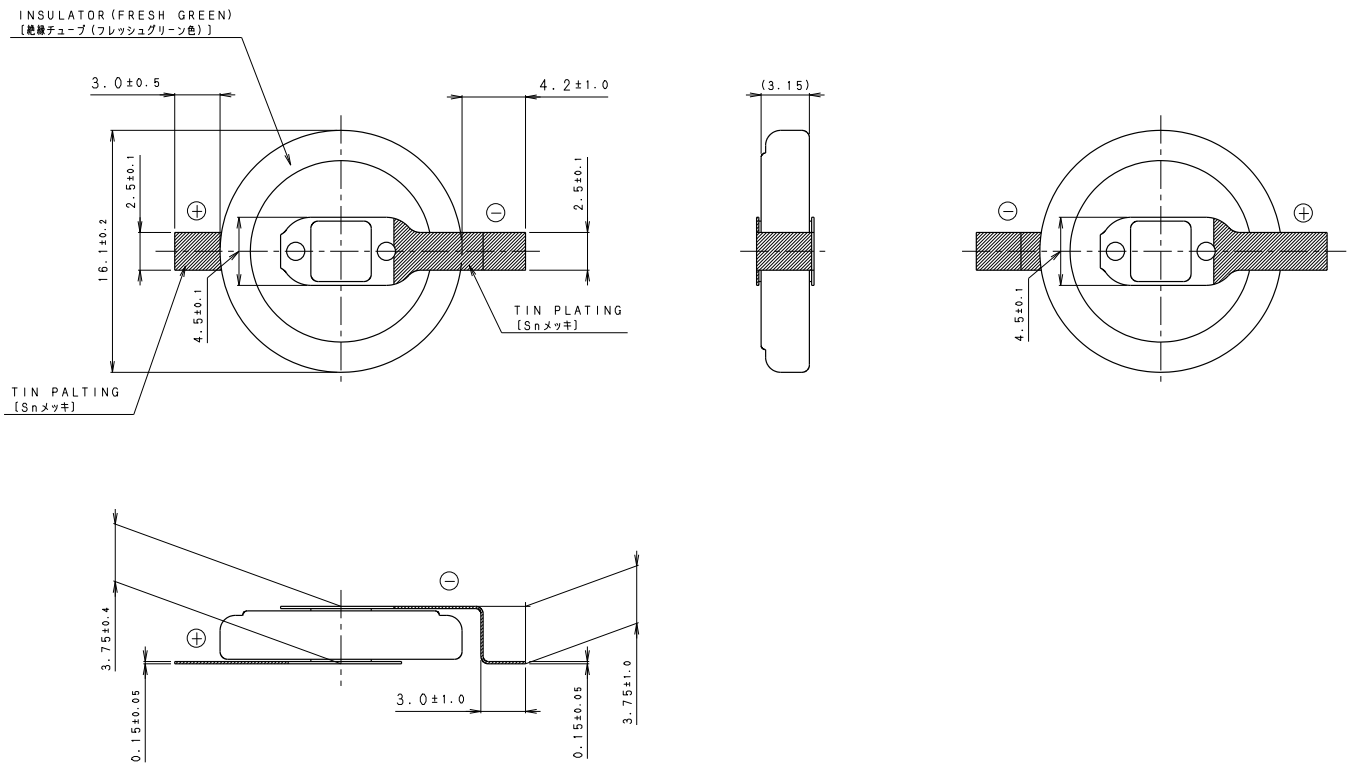
Stocking Distributor

Click to view price, real time Inventory, Delivery & Lifecycle Information:

[Panasonic - BSG](#)
[BR-1632A/FAN](#)

For any questions, you can email us directly:

sales@integrated-circuit.com



NOTE (注記)

1. TAB PULLING STRENGTH OVER 14.7N (端子引抜強度: 14.7N以上)
2. TAB MATERIAL: STAINLESS STEEL WITH TIN PLATING
[端子材料: 基材 ステンレス/表面 部分Snメッキ]
3. () : REFERENCE DIMENSION AND ANGLE (() 寸法、角度は参考値)

PRODUCT NO.	BR-1632A/FAN	SCALE	4:1
DRAWING NO.	MMFA6Z	REV.	0
			UNIT:mm