

Excellent Integrated System Limited

Stocking Distributor

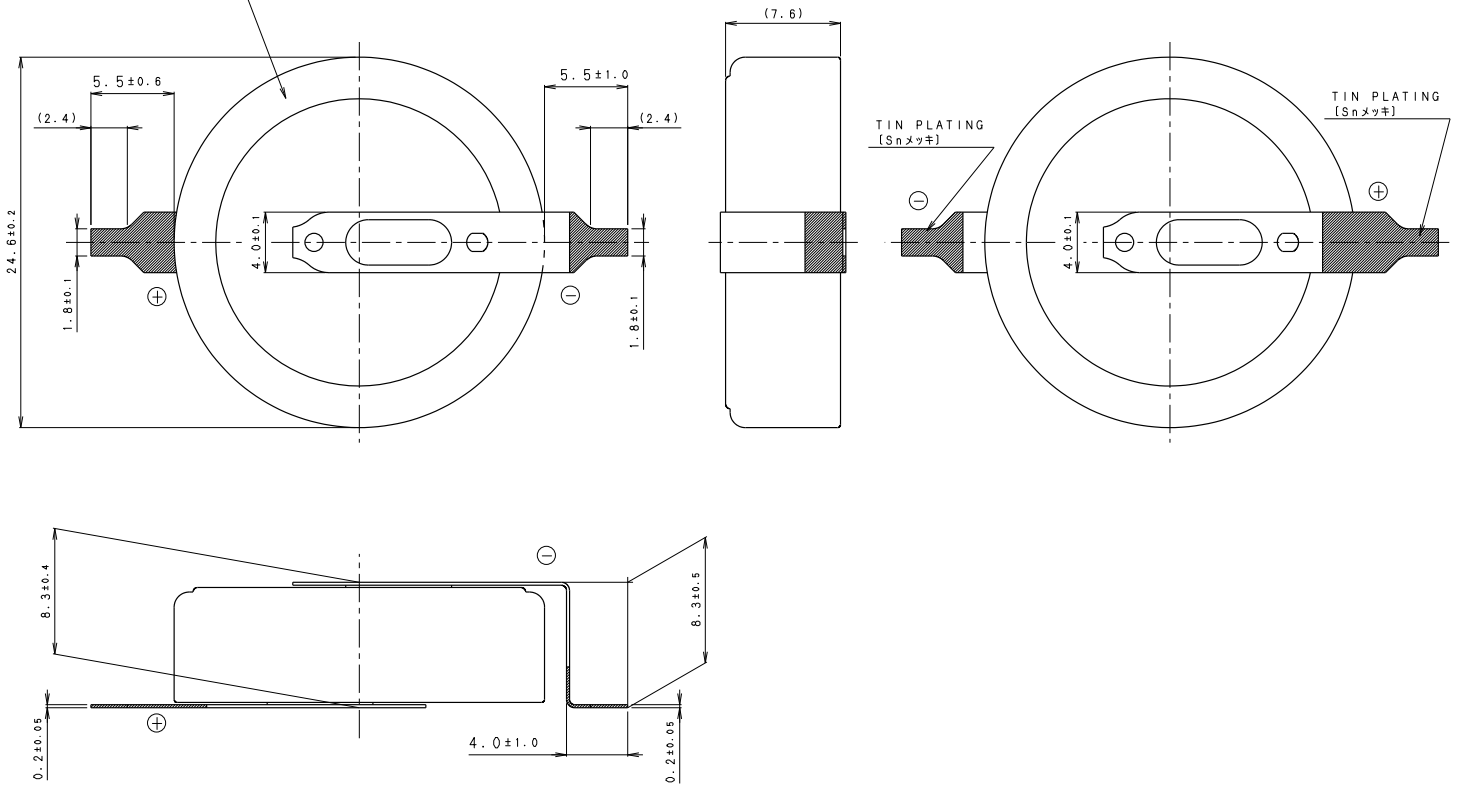
Click to view price, real time Inventory, Delivery & Lifecycle Information:

[Panasonic - BSG](#)
[BR-2477A/FBN](#)

For any questions, you can email us directly:

sales@integrated-circuit.com

INSULATOR (FRESH GREEN)
【絶縁チューブ (フレッシュグリーン色)】



NOTE (注記)

1. TAB PULLING STRENGTH OVER 19.6N (端子引抜強度: 19.6N以上)
2. TAB MATERIAL: STAINLESS STEEL WITH TIN PLATING
【端子材料: 基材 ステンレス/表面 部分Snメッキ】
3. (): REFERENCE DIMENSION AND ANGLE (() 寸法、角度は参考値)

PRODUCT NO.	BR-2477A/FBN	SCALE	4:1
DRAWING NO.	RXFA6Z	REV.	0
		UNIT: mm	