

Excellent Integrated System Limited

Stocking Distributor

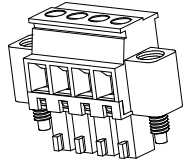
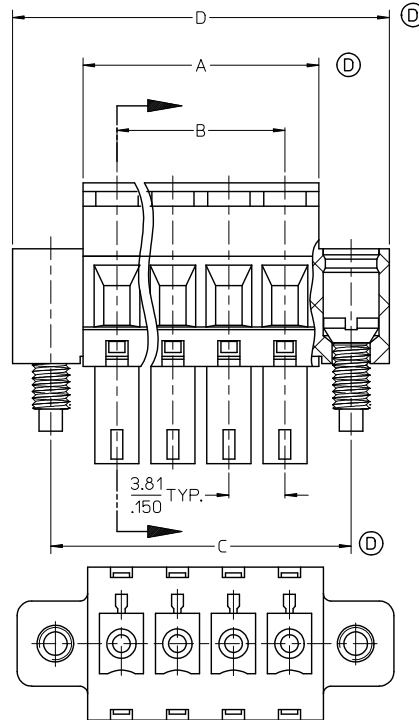
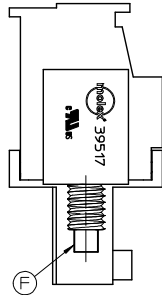
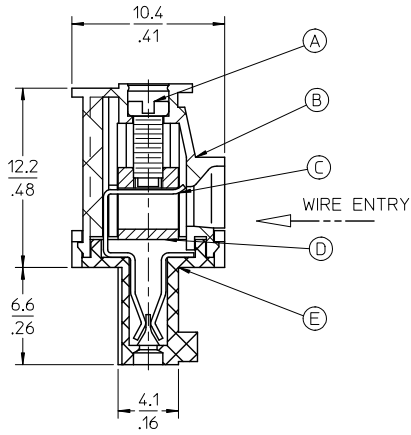
Click to view price, real time Inventory, Delivery & Lifecycle Information:

[Molex Connector Corporation](#)
[0395178002](#)

For any questions, you can email us directly:

sales@integrated-circuit.com

REF. THIS DRAWING SUPERSEDES ME10 DOC SD-39517-001 REV-C



SPECIFICATIONS:

1. MATERIAL:

- A. SCREW: STEEL
- B. BODY: NYLON 66 (PA 66)
- C. TERMINAL: PHOSPHOR BRONZE
- D. CAGE (*): BRASS
- E. COVER: NYLON 66 (PA 66)
- F. SCREW: STEEL

2. PRODUCT SPECIFICATION: PS-39500-001

- 3. WIRE RANGE: 30 - 16AWG
- 4. TORQUE: 2 in-lbs
- 5. WIRE STRIP LENGTH: 6.50/256
- 6. NUMBER OF CIRCUIT POSITIONS AVAILABLE = 2 THROUGH 20
- 7. ASSEMBLY IS ROHS COMPLIANT

SEE SHEET 2 EC NO: JG2015-1252 DRAWN BY: RWINSTONE CHKD BY: B ARDEN APPR: JFMURPHY	QUALITY SYMBOLS ▽=0 ▽=0	GENERAL TOLERANCES (UNLESS SPECIFIED)		DIMENSION STYLE MM/IN		SCALE 1:1	DESIGN UNITS METRIC	THIRD ANGLE PROJECTION
		4 PLACES ± --- ± --- 3 PLACES ± --- ± .005 2 PLACES ± 0.13 ± .01 1 PLACE ± 0.3 ± --- 0 PLACE ± --- ± ---	mm INCH --- --- --- --- --- --- --- --- --- ---	DRAWN BY RSTONE	DATE 2015/01/12	TITLE 3.81MM EURO TERM BLOCK VERT. PLUG FRONT WIRE ENTRY, MOUNTING ENDS		DOCUMENT NO. SD-39517-001
REV: D	DESCRIPTION:	ANGULAR ± 5° DRAFT WHERE APPLICABLE MUST REMAIN WITHIN DIMENSIONS		MATERIAL NO. SEE SHEET 2		THIS DRAWING CONTAINS INFORMATION THAT IS PROPRIETARY TO MOLEX INCORPORATED AND SHOULD NOT BE USED WITHOUT WRITTEN PERMISSION		

10 9 8 7 6 5 4 3 2 39517

Circuit Size	Material Numbers												Dimensional Information															
	Black						Green						Dim. A				Dim B				Dim C				Dim D			
	100% Tin			30 u' Gold			100% Tin			30 u' Gold			mm		inch		mm		inch		mm		inch		mm		inch	
None	10AV		11AV		None	10AV		11AV		None	10AV		11AV		mm	inch	mm	inch	mm	inch	mm	inch	mm	inch				
	2	395173002	395173302	395173402		395173502	395173602	395173702	395173802		395173902	395174002	395174102	395174202											395174302	395174402	395174502	8.4
3	395173003	395173303	395173403	395173503	395173603	395173703	395173803	395173903	395174003	395174103	395174203	395174303	395174403	395174503	12.2	0.48	7.62	0.300	16.6	0.65	21.0	0.83						
4	395173004	395173304	395173404	395173504	395173604	395173704	395173804	395173904	395174004	395174104	395174204	395174304	395174404	395174504	16.0	0.63	11.43	0.450	20.4	0.80	25.6	1.01						
5	395173005	395173305	395173405	395173505	395173605	395173705	395173805	395173905	395174005	395174105	395174205	395174305	395174405	395174505	19.0	0.75	15.24	0.600	24.2	0.95	29.4	1.16						
6	395173006	395173306	395173406	395173506	395173606	395173706	395173806	395173906	395174006	395174106	395174206	395174306	395174406	395174506	23.7	0.93	19.05	0.750	28.1	1.11	33.3	1.31						
7	395173007	395173307	395173407	395173507	395173607	395173707	395173807	395173907	395174007	395174107	395174207	395174307	395174407	395174507	27.5	1.08	22.98	0.900	31.9	1.26	37.1	1.46						
8	395173008	395173308	395173408	395173508	395173608	395173708	395173808	395173908	395174008	395174108	395174208	395174308	395174408	395174508	31.3	1.23	26.67	1.050	35.7	1.41	40.9	1.61						
9	395173009	395173309	395173409	395173509	395173609	395173709	395173809	395173909	395174009	395174109	395174209	395174309	395174409	395174509	35.1	1.38	30.48	1.200	39.5	1.56	44.7	1.76						
10	395173010	395173310	395173410	395173510	395173610	395173710	395173810	395173910	395174010	395174110	395174210	395174310	395174410	395174510	38.9	1.53	34.29	1.350	43.3	1.70	48.5	1.91						
11	395173011	395173311	395173411	395173511	395173611	395173711	395173811	395173911	395174011	395174111	395174211	395174311	395174411	395174511	42.7	1.68	38.10	1.500	47.1	1.86	52.3	2.06						
12	395173012	395173312	395173412	395173512	395173612	395173712	395173812	395173912	395174012	395174112	395174212	395174312	395174412	395174512	46.5	1.83	41.91	1.650	50.0	2.00	56.1	2.21						
13	395173013	395173313	395173413	395173513	395173613	395173713	395173813	395173913	395174013	395174113	395174213	395174313	395174413	395174513	50.3	1.98	45.72	1.800	54.7	2.15	59.9	2.36						
14	395173014	395173314	395173414	395173514	395173614	395173714	395173814	395173914	395174014	395174114	395174214	395174314	395174414	395174514	54.1	2.13	49.53	1.950	58.5	2.30	63.7	2.51						
15	395173015	395173315	395173415	395173515	395173615	395173715	395173815	395173915	395174015	395174115	395174215	395174315	395174415	395174515	57.9	2.28	53.34	2.100	62.3	2.45	67.5	2.66						
16	395173016	395173316	395173416	395173516	395173616	395173716	395173816	395173916	395174016	395174116	395174216	395174316	395174416	395174516	61.8	2.43	57.15	2.250	66.2	2.61	71.4	2.81						
17	395173017	395173317	395173417	395173517	395173617	395173717	395173817	395173917	395174017	395174117	395174217	395174317	395174417	395174517	65.6	2.58	60.96	2.400	70.0	2.76	76.2	2.96						
18	395173018	395173318	395173418	395173518	395173618	395173718	395173818	395173918	395174018	395174118	395174218	395174318	395174418	395174518	69.4	2.73	64.77	2.550	73.8	2.91	79.0	3.11						
19	395173019	395173319	395173419	395173519	395173619	395173719	395173819	395173919	395174019	395174119	395174219	395174319	395174419	395174519	73.2	2.88	68.58	2.700	77.6	3.06	82.8	3.26						
20	395173020	395173320	395173420	395173520	395173620	395173720	395173820	395173920	395174020	395174120	395174220	395174320	395174420	395174520	77.0	3.03	72.39	2.850	81.4	3.20	86.6	3.41						

NOTE: DIMS GREATER THAN 30mm (1.18in.) HAVE A TOLERANCE OF ±0.5mm (.02in.)

WAS 3-D DIGITAL & D FOR NO. 0395178002 D DRINKSTONE 2015/01/12 CHYKOB ARDEN 2015/01/14 APPR: JFMURPHY 2015/02/02 REV DESCRIPTION	QUALITY SYMBOLS	GENERAL TOLERANCES (UNLESS SPECIFIED)	DIMENSION STYLE	SCALE	DESIGN UNITS	THIRD ANGLE PROJECTION
	▽=0	mm INCH	MM/IN	1:1	METRIC	
	▽=0	4 PLACES ± --- ± ---	DRAWN BY DATE			
		3 PLACES ± --- ± .005	RSTONE 2015/01/12	TITLE		
	2 PLACES ± 0.13 ± .01	CHECKED BY DATE	3.81MM EURO TERM BLOCK VERT. PLUG FRONT WIRE ENTRY, MOUNTING ENDS			
	1 PLACE ± 0.3 ± ---	B ARDEN 2015/01/14				
	0 PLACE ± --- ± ---	APPROVED BY DATE				
	ANGULAR ± 5°	JFMURPHY 2015/02/02	MATERIAL NO.	DOCUMENT NO.	SHEET NO.	
	DRAFT WHERE APPLICABLE MUST REMAIN WITHIN DIMENSIONS		SEE TABLE	SD-39517-001	2 OF 2	
			THIS DRAWING CONTAINS INFORMATION THAT IS PROPRIETARY TO MOLEX INCORPORATED AND SHOULD NOT BE USED WITHOUT WRITTEN PERMISSION			

16_Frame_B_P_AM.T 9 8 7 6 5 4 3 2 1 Rev E1 2012/01/25

10 9 8 7 6 5 4 3 2 39517

Circuit size	Material Numbers												Dimensional Information											
	Black						Green						Dimensional Information											
	100% Tin			30 u" Gold			100% Tin			30 u" Gold														
	Printing Options			Printing Options			Printing Options			Printing Options			Dim. A		Dim B		Dim C		Dim D					
None	10AV	11AV	None	10AV	11AV	None	10AV	11AV	None	10AV	11AV	None	10AV	11AV	mm	inch	mm	inch	mm	inch	mm	inch		
2	395173002	395173302	395173402	395173502	395173802	395173902	395178002	395178302	395178402	395178502	395178802	395178902	8.41	0.331	3.81	0.150	12.81	0.504	18.01	0.709				
3	395173003	395173303	395173403	395173503	395173803	395173903	395178003	395178303	395178403	395178503	395178803	395178903	12.22	0.481	7.62	0.300	16.62	0.654	21.82	0.859				
4	395173004	395173304	395173404	395173504	395173804	395173904	395178004	395178304	395178404	395178504	395178804	395178904	16.03	0.631	11.43	0.450	20.43	0.804	25.63	1.009				
5	395173005	395173305	395173405	395173505	395173805	395173905	395178005	395178305	395178405	395178505	395178805	395178905	19.84	0.781	15.24	0.600	24.24	0.954	29.44	1.159				
6	395173006	395173306	395173406	395173506	395173806	395173906	395178006	395178306	395178406	395178506	395178806	395178906	23.65	0.931	19.05	0.750	28.05	1.104	33.25	1.309				
7	395173007	395173307	395173407	395173507	395173807	395173907	395178007	395178307	395178407	395178507	395178807	395178907	27.46	1.081	22.86	0.900	31.86	1.254	37.06	1.459				
8	395173008	395173308	395173408	395173508	395173808	395173908	395178008	395178308	395178408	395178508	395178808	395178908	31.27	1.231	26.67	1.050	35.67	1.404	40.87	1.609				
9	395173009	395173309	395173409	395173509	395173809	395173909	395178009	395178309	395178409	395178509	395178809	395178909	35.08	1.381	30.48	1.200	39.48	1.554	44.68	1.759				
10	395173010	395173310	395173410	395173510	395173810	395173910	395178010	395178310	395178410	395178510	395178810	395178910	38.89	1.531	34.29	1.350	43.29	1.704	48.49	1.909				
11	395173011	395173311	395173411	395173511	395173811	395173911	395178011	395178311	395178411	395178511	395178811	395178911	42.70	1.681	38.10	1.500	47.10	1.854	52.30	2.059				
12	395173012	395173312	395173412	395173512	395173812	395173912	395178012	395178312	395178412	395178512	395178812	395178912	46.51	1.831	41.91	1.650	50.91	2.004	55.11	2.209				
13	395173013	395173313	395173413	395173513	395173813	395173913	395178013	395178313	395178413	395178513	395178813	395178913	50.32	1.981	45.72	1.800	54.72	2.154	59.92	2.359				
14	395173014	395173314	395173414	395173514	395173814	395173914	395178014	395178314	395178414	395178514	395178814	395178914	54.13	2.131	49.53	1.950	58.53	2.304	63.73	2.509				
15	395173015	395173315	395173415	395173515	395173815	395173915	395178015	395178315	395178415	395178515	395178815	395178915	57.94	2.281	53.34	2.100	62.34	2.454	67.54	2.659				
16	395173016	395173316	395173416	395173516	395173816	395173916	395178016	395178316	395178416	395178516	395178816	395178916	61.75	2.431	57.15	2.250	66.15	2.604	71.35	2.809				
17	395173017	395173317	395173417	395173517	395173817	395173917	395178017	395178317	395178417	395178517	395178817	395178917	65.56	2.581	60.96	2.400	69.96	2.754	75.16	2.959				
18	395173018	395173318	395173418	395173518	395173818	395173918	395178018	395178318	395178418	395178518	395178818	395178918	69.37	2.731	64.77	2.550	73.77	2.904	78.97	3.109				
19	395173019	395173319	395173419	395173519	395173819	395173919	395178019	395178319	395178419	395178519	395178819	395178919	73.18	2.881	68.58	2.700	77.58	3.054	82.78	3.259				
20	395173020	395173320	395173420	395173520	395173820	395173920	395178020	395178320	395178420	395178520	395178820	395178920	76.99	3.031	72.39	2.850	81.39	3.204	86.59	3.409				

SEE SHEET 1 EC NO: WNA2010-0708 2010/06/29 C DRINKLE YORK CHKDDT IUS APPRDT IUS 2006/01/06 2010/07/09	QUALITY SYMBOLS ▽=0 ▽=0	GENERAL TOLERANCES (UNLESS SPECIFIED) mm INCH 4 PLACES ± --- ± --- 3 PLACES ± --- ± .005 2 PLACES ± 0.13 ± .01 1 PLACE ± 0.3 ± --- ANGULAR ± 2 °	DIMENSION STYLE MM/IN DRAWN BY DATE LROTHAUS 2005/12/06 CHECKED BY DATE C. YORK 2006/01/06 APPROVED BY DATE J. PAWLICKI 2006/01/10 MATERIAL NO. DOCUMENT NO. SEE CHART SD-39517-001	SCALE 4:1 DESIGN UNITS INCH THIRD ANGLE PROJECTION	TITLE 3.81MM, EURO TERM BLOCK VERT, PLUG, FRONT WIRE ENTRY, MOUNTING ENDS	MOLEX INCORPORATED	SHEET NO. 2 OF 2	
		DRAFT WHERE APPLICABLE MUST REMAIN WITHIN DIMENSIONS						
		THIS DRAWING CONTAINS INFORMATION THAT IS PROPRIETARY TO MOLEX INCORPORATED AND SHOULD NOT BE USED WITHOUT WRITTEN PERMISSION						
		SIZE B						

9 8 7 6 5 4 3 2 1