

Excellent Integrated System Limited

Stocking Distributor

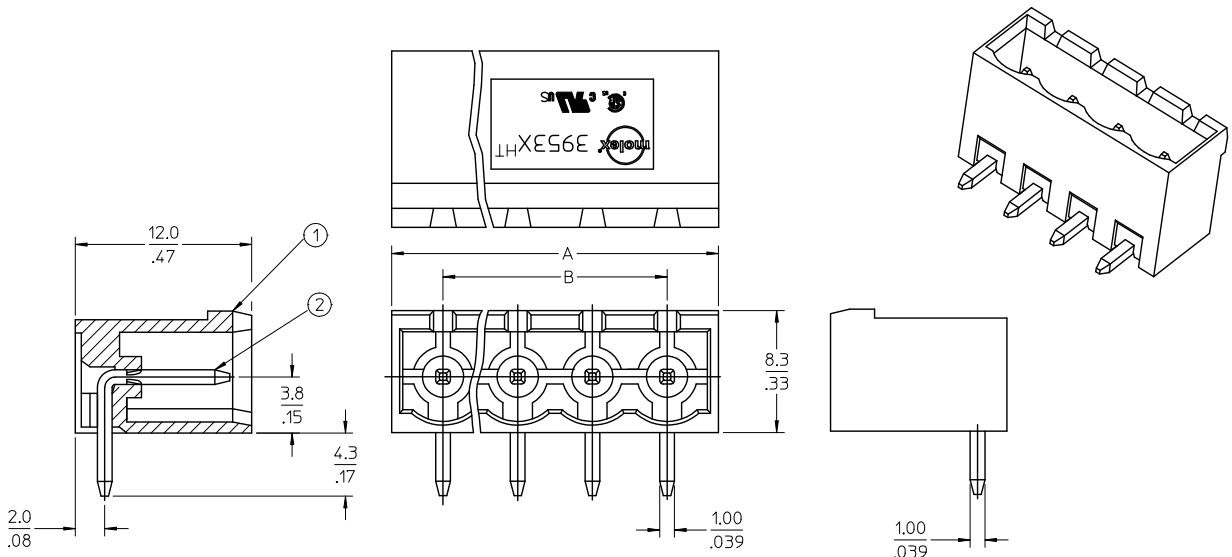
Click to view price, real time Inventory, Delivery & Lifecycle Information:

[Molex Connector Corporation](#)
[0395324002](#)

For any questions, you can email us directly:

sales@integrated-circuit.com

10 9 8 7 6 5 4 3 2 1



SPECIFICATIONS:

1. Material:
 - (1). Body: Polyamide (B)
 - (2). Pin: Brass (B)
2. Wire range: N/A
3. Electrical rating: 300V, 18A. (B)
4. Wire strip length: N/A
5. Operating temperature: -40C to +115C (B)
6. Max torque: N/A
7. Insulation resistance: DC 500V, 500M.
8. Dielectric withstand: AC 2500V for 1 minute
9. Breakdown voltage: 4000V
10. $A = (N \times P) + 2.0\text{mm}$
11. $B = (N - 1) \times P$
12. P (PITCH) = 5.08mm (.200")
13. N = Number of positions available 2 through 24
14. Product spec: PS-39500-001 (B)
15. See SD-39501-002 for PTH dims (B)

REV'S NOTES PER PROD SPEC EC NO: JGG2014-0074 DRW: JRM/STONE 2013/10/11 CHKDB: RUPERT 2013/10/16 APPR: JPM/RPT 2013/11/23	QUALITY SYMBOLS ▽=0 ▽=0	GENERAL TOLERANCES (UNLESS SPECIFIED) <table border="1"> <thead> <tr> <th></th> <th>mm</th> <th>INCH</th> </tr> </thead> <tbody> <tr> <td>4 PLACES</td> <td>± .038</td> <td>± .0015</td> </tr> <tr> <td>3 PLACES</td> <td>± 0.038</td> <td>± .005</td> </tr> <tr> <td>2 PLACES</td> <td>± 0.13</td> <td>± .01</td> </tr> <tr> <td>1 PLACE</td> <td>± 0.3</td> <td>± .01</td> </tr> </tbody> </table>		mm	INCH	4 PLACES	± .038	± .0015	3 PLACES	± 0.038	± .005	2 PLACES	± 0.13	± .01	1 PLACE	± 0.3	± .01	DIMENSION STYLE MM/IN	SCALE 4:1	DESIGN UNITS INCH	THIRD ANGLE PROJECTION
		mm	INCH																		
	4 PLACES	± .038	± .0015																		
	3 PLACES	± 0.038	± .005																		
2 PLACES	± 0.13	± .01																			
1 PLACE	± 0.3	± .01																			
DRAWN BY L. ROTHBAUS	DATE 12/29/05	TITLE 5.08MM, EURO HEADER, RIGHT ANGLE, HI-TEMP																			
CHECKED BY C. YORK	DATE 01/05/06	MOLEX INCORPORATED																			
MATERIAL NO. SEE SHT.2	DOCUMENT NO. SD-39532-001	SHEET NO. 1 OF 2																			

9 8 7 6 5 4 3 2 1

10 9 8 7 6 5 4 3 2 1

Description	Circuit S/Ps	Material Numbers												Dimensional Information							
		Black				Gison				30 u"Gold				Dim A		Dim B					
		100% Tin			30 u"Gold	100% Tin			30 u"Gold	100% Tin			30 u"Gold	mm	inch	mm	inch				
5.08mm, Euro Header, Right Angle, High Temp	2	395324002	395324102	395324202	395324302	395324402	395324502	395324602	395324702	395324802	395324902	395325002	395325102	395325202	395325302	395325402	395325502	12.16	0.479	5.08	0.200
5.08mm, Euro Header, Right Angle, High Temp	3	395324003	395324103	395324203	395324303	395324403	395324503	395324603	395324703	395324803	395324903	395325003	395325103	395325203	395325303	395325403	395325503	12.21	0.479	10.16	0.400
5.08mm, Euro Header, Right Angle, High Temp	4	395324004	395324104	395324204	395324304	395324404	395324504	395324604	395324704	395324804	395324904	395325004	395325104	395325204	395325304	395325404	395325504	22.32	0.879	15.24	0.600
5.08mm, Euro Header, Right Angle, High Temp	5	395324005	395324105	395324205	395324305	395324405	395324505	395324605	395324705	395324805	395324905	395325005	395325105	395325205	395325305	395325405	395325505	27.40	1.079	20.32	0.800
5.08mm, Euro Header, Right Angle, High Temp	6	395324006	395324106	395324206	395324306	395324406	395324506	395324606	395324706	395324806	395324906	395325006	395325106	395325206	395325306	395325406	395325506	32.48	1.279	25.40	1.000
5.08mm, Euro Header, Right Angle, High Temp	7	395324007	395324107	395324207	395324307	395324407	395324507	395324607	395324707	395324807	395324907	395325007	395325107	395325207	395325307	395325407	395325507	37.56	1.479	30.48	1.200
5.08mm, Euro Header, Right Angle, High Temp	8	395324008	395324108	395324208	395324308	395324408	395324508	395324608	395324708	395324808	395324908	395325008	395325108	395325208	395325308	395325408	395325508	42.64	1.679	35.56	1.400
5.08mm, Euro Header, Right Angle, High Temp	9	395324009	395324109	395324209	395324309	395324409	395324509	395324609	395324709	395324809	395324909	395325009	395325109	395325209	395325309	395325409	395325509	47.72	1.879	40.64	1.600
5.08mm, Euro Header, Right Angle, High Temp	10	395324010	395324110	395324210	395324310	395324410	395324510	395324610	395324710	395324810	395324910	395325010	395325110	395325210	395325310	395325410	395325510	52.80	2.079	45.72	1.800
5.08mm, Euro Header, Right Angle, High Temp	11	395324011	395324111	395324211	395324311	395324411	395324511	395324611	395324711	395324811	395324911	395325011	395325111	395325211	395325311	395325411	395325511	57.88	2.279	50.80	2.000
5.08mm, Euro Header, Right Angle, High Temp	12	395324012	395324112	395324212	395324312	395324412	395324512	395324612	395324712	395324812	395324912	395325012	395325112	395325212	395325312	395325412	395325512	62.96	2.479	55.88	2.200
5.08mm, Euro Header, Right Angle, High Temp	13	395324013	395324113	395324213	395324313	395324413	395324513	395324613	395324713	395324813	395324913	395325013	395325113	395325213	395325313	395325413	395325513	68.04	2.679	60.96	2.400
5.08mm, Euro Header, Right Angle, High Temp	14	395324014	395324114	395324214	395324314	395324414	395324514	395324614	395324714	395324814	395324914	395325014	395325114	395325214	395325314	395325414	395325514	73.12	2.879	66.04	2.600
5.08mm, Euro Header, Right Angle, High Temp	15	395324015	395324115	395324215	395324315	395324415	395324515	395324615	395324715	395324815	395324915	395325015	395325115	395325215	395325315	395325415	395325515	78.20	3.079	71.12	2.800
5.08mm, Euro Header, Right Angle, High Temp	16	395324016	395324116	395324216	395324316	395324416	395324516	395324616	395324716	395324816	395324916	395325016	395325116	395325216	395325316	395325416	395325516	83.28	3.279	76.20	3.000
5.08mm, Euro Header, Right Angle, High Temp	17	395324017	395324117	395324217	395324317	395324417	395324517	395324617	395324717	395324817	395324917	395325017	395325117	395325217	395325317	395325417	395325517	88.36	3.479	81.28	3.200
5.08mm, Euro Header, Right Angle, High Temp	18	395324018	395324118	395324218	395324318	395324418	395324518	395324618	395324718	395324818	395324918	395325018	395325118	395325218	395325318	395325418	395325518	93.44	3.679	86.36	3.400
5.08mm, Euro Header, Right Angle, High Temp	19	395324019	395324119	395324219	395324319	395324419	395324519	395324619	395324719	395324819	395324919	395325019	395325119	395325219	395325319	395325419	395325519	98.52	3.879	91.44	3.600
5.08mm, Euro Header, Right Angle, High Temp	20	395324020	395324120	395324220	395324320	395324420	395324520	395324620	395324720	395324820	395324920	395325020	395325120	395325220	395325320	395325420	395325520	103.60	4.079	96.52	3.800
5.08mm, Euro Header, Right Angle, High Temp	21	395324021	395324121	395324221	395324321	395324421	395324521	395324621	395324721	395324821	395324921	395325021	395325121	395325221	395325321	395325421	395325521	108.68	4.279	101.60	4.000
5.08mm, Euro Header, Right Angle, High Temp	22	395324022	395324122	395324222	395324322	395324422	395324522	395324622	395324722	395324822	395324922	395325022	395325122	395325222	395325322	395325422	395325522	113.76	4.479	106.68	4.200
5.08mm, Euro Header, Right Angle, High Temp	23	395324023	395324123	395324223	395324323	395324423	395324523	395324623	395324723	395324823	395324923	395325023	395325123	395325223	395325323	395325423	395325523	118.84	4.679	111.76	4.400
5.08mm, Euro Header, Right Angle, High Temp	24	395324024	395324124	395324224	395324324	395324424	395324524	395324624	395324724	395324824	395324924	395325024	395325124	395325224	395325324	395325424	395325524	123.92	4.879	116.84	4.600

SEE SHEET 1 E.C. NO: NE02006-0310 DRAWN BY: LROTHAUS CHECKED BY: C. YORK APPROV: JFANL CLK 2006/01/09 2006/01/09 2006/07/10	QUALITY SYMBOLS ▽=0 ◊=0	GENERAL TOLERANCES (UNLESS SPECIFIED)		DIMENSION STYLE		SCALE	DESIGN UNITS	THIRD ANGLE PROJECTION	
				MM/IN		4:1	INCH		
				DRAWN BY DATE		TITLE			
				CHECKED BY DATE		5.08MM, EURO HEADER, RIGHT ANGLE HI-TEMP			
		APPROVED BY DATE		MATERIAL NO.		DOCUMENT NO.		SHEET NO.	
		DRAFT WHERE APPLICABLE MUST REMAIN WITHIN DIMENSIONS		SEE CHART		SD-39532-001		2 OF 2	
		THIS DRAWING CONTAINS INFORMATION THAT IS PROPRIETARY TO MOLEX INCORPORATED AND SHOULD NOT BE USED WITHOUT WRITTEN PERMISSION							

9 8 7 6 5 4 3 2 1