

Excellent Integrated System Limited

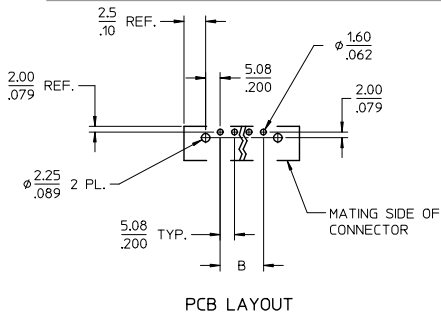
Stocking Distributor

Click to view price, real time Inventory, Delivery & Lifecycle Information:

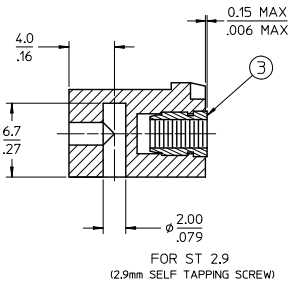
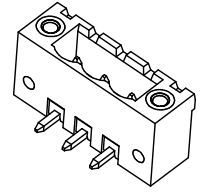
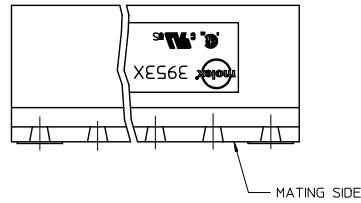
[Molex Connector Corporation](#)
[0395360002](#)

For any questions, you can email us directly:

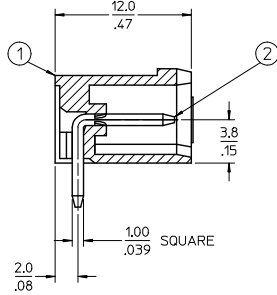
sales@integrated-circuit.com



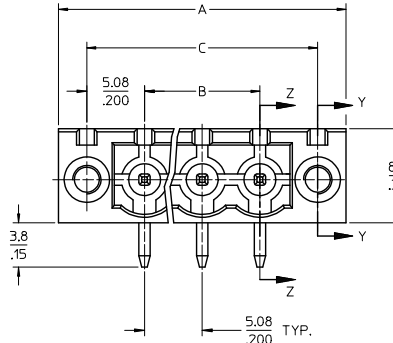
PCB LAYOUT



SECTION Y-Y



SECTION Z-Z



SPECIFICATIONS:

1. Material:
 - (1). Body: PA66
 - (2). Pin: Brass
 - (3). Threaded insert: Brass
2. Wire range: N/A
3. Electrical rating: 300V, 15A.
4. Wire strip length: N/A
5. Operating temperature: -40C to +105°C
6. Max torque: N/A
7. Insulation resistance: DC 500V, 500M.
8. Dielectric withstand: AC 2500V for 1 minute
9. Breakdown voltage: 4000V
10. A = (B + 15,24mm)
11. B = (N - 1) x P
12. C = (B + 10,16mm)
12. P (PITCH) = 5.08mm (.200")
13. N = Number of positions available 2 through 24
14. Dims shown are for reference only

SEE SHEET 2 EC NO: IFS2016-1279 DRAWN BY: DR WILKINSON CHECKED BY: CHIKOH ZIEHL APPROVED BY: APPREHUBERT	QUALITY SYMBOLS	GENERAL TOLERANCES (UNLESS SPECIFIED)	DIMENSION STYLE	SCALE	DESIGN UNITS	THIRD ANGLE PROJECTION
	▼=0 ▽=0	mm INCH 4 PLACES ± --- ± .0015 3 PLACES ± 0.038 ± .005 2 PLACES ± 0.13 ± .01 1 PLACE ± 0.3 ± --- 0 PLACE ± ±	MM/IN	4:1	INCH	DRAWN BY: LROTHAUS CHECKED BY: C. YORK APPROVED BY:
		ANGULAR ± 2°				DATE: 12/16/05 DATE: 01/06/06 DATE:
		DRAFT WHERE APPLICABLE MUST REMAIN WITHIN DIMENSIONS				TITLE: 5.08MM, EURO HEADER, RIGHT ANGLE, MOUNTING molex DOCUMENT NO. SD-39536-002 SHEET NO. 1 OF 2

10 9 8 7 6 5 4 3 2 39536

Description	Circuit Size	Material Numbers												Dimensional Information				
		Black						Green										
		100% In			50/50 Gold			100% In			50/50 Gold			Dim. A	Dim B	Dim. C		
		Printing Options			Printing Options			Printing Options			Printing Options							
None	10A	11A	None	10A	11A	None	10A	11A	None	10A	11A	mm	inch	mm	inch			
5.08mm Euro Header, Right Angle, Mounting Ends	2	39536002	395360102	395360202	395360302	395360402	395360502	395360602	395360702	395360802	395360902	395361002	20.32	0.800	5.08	0.200	15.24	0.600
5.08mm Euro Header, Right Angle, Mounting Ends	3	39536003	395360103	395360203	395360303	395360403	395360503	395360603	395360703	395360803	395360903	395361003	25.40	1.000	10.16	0.400	20.32	0.800
5.08mm Euro Header, Right Angle, Mounting Ends	4	39536004	395360104	395360204	395360304	395360404	395360504	395360604	395360704	395360804	395360904	395361004	30.48	1.200	15.24	0.600	25.40	1.000
5.08mm Euro Header, Right Angle, Mounting Ends	5	39536005	395360105	395360205	395360305	395360405	395360505	395360605	395360705	395360805	395360905	395361005	35.56	1.400	20.32	0.800	30.48	1.200
5.08mm Euro Header, Right Angle, Mounting Ends	6	39536006	395360106	395360206	395360306	395360406	395360506	395360606	395360706	395360806	395360906	395361006	40.64	1.600	25.40	1.000	35.56	1.400
5.08mm Euro Header, Right Angle, Mounting Ends	7	39536007	395360107	395360207	395360307	395360407	395360507	395360607	395360707	395360807	395360907	395361007	45.72	1.800	30.48	1.200	40.64	1.600
5.08mm Euro Header, Right Angle, Mounting Ends	8	39536008	395360108	395360208	395360308	395360408	395360508	395360608	395360708	395360808	395360908	395361008	50.80	2.000	35.56	1.400	45.72	1.800
5.08mm Euro Header, Right Angle, Mounting Ends	9	39536009	395360109	395360209	395360309	395360409	395360509	395360609	395360709	395360809	395360909	395361009	55.88	2.200	40.64	1.600	50.80	2.000
5.08mm Euro Header, Right Angle, Mounting Ends	10	39536010	395360110	395360210	395360310	395360410	395360510	395360610	395360710	395360810	395360910	395361010	60.96	2.400	45.72	1.800	55.88	2.200
5.08mm Euro Header, Right Angle, Mounting Ends	11	39536011	395360111	395360211	395360311	395360411	395360511	395360611	395360711	395360811	395360911	395361011	66.04	2.600	50.80	2.000	60.96	2.400
5.08mm Euro Header, Right Angle, Mounting Ends	12	39536012	395360112	395360212	395360312	395360412	395360512	395360612	395360712	395360812	395360912	395361012	71.12	2.800	55.88	2.200	66.04	2.600
5.08mm Euro Header, Right Angle, Mounting Ends	13	39536013	395360113	395360213	395360313	395360413	395360513	395360613	395360713	395360813	395360913	395361013	76.20	3.000	60.96	2.400	71.12	2.800
5.08mm Euro Header, Right Angle, Mounting Ends	14	39536014	395360114	395360214	395360314	395360414	395360514	395360614	395360714	395360814	395360914	395361014	81.28	3.200	66.04	2.600	76.20	3.000
5.08mm Euro Header, Right Angle, Mounting Ends	15	39536015	395360115	395360215	395360315	395360415	395360515	395360615	395360715	395360815	395360915	395361015	86.36	3.400	71.12	2.800	81.28	3.200
5.08mm Euro Header, Right Angle, Mounting Ends	16	39536016	395360116	395360216	395360316	395360416	395360516	395360616	395360716	395360816	395360916	395361016	91.44	3.600	76.20	3.000	86.36	3.400
5.08mm Euro Header, Right Angle, Mounting Ends	17	39536017	395360117	395360217	395360317	395360417	395360517	395360617	395360717	395360817	395360917	395361017	96.52	3.800	81.28	3.200	91.44	3.600
5.08mm Euro Header, Right Angle, Mounting Ends	18	39536018	395360118	395360218	395360318	395360418	395360518	395360618	395360718	395360818	395360918	395361018	101.60	4.000	86.36	3.400	96.52	3.800
5.08mm Euro Header, Right Angle, Mounting Ends	19	39536019	395360119	395360219	395360319	395360419	395360519	395360619	395360719	395360819	395360919	395361019	106.68	4.200	91.44	3.600	101.60	4.000
5.08mm Euro Header, Right Angle, Mounting Ends	20	39536020	395360120	395360220	395360320	395360420	395360520	395360620	395360720	395360820	395360920	395361020	111.76	4.400	96.52	3.800	106.68	4.200
5.08mm Euro Header, Right Angle, Mounting Ends	21	39536021	395360121	395360221	395360321	395360421	395360521	395360621	395360721	395360821	395360921	395361021	116.84	4.600	101.60	4.000	111.76	4.400
5.08mm Euro Header, Right Angle, Mounting Ends	22	39536022	395360122	395360222	395360322	395360422	395360522	395360622	395360722	395360822	395360922	395361022	121.92	4.800	106.68	4.200	116.84	4.600
5.08mm Euro Header, Right Angle, Mounting Ends	23	39536023	395360123	395360223	395360323	395360423	395360523	395360623	395360723	395360823	395360923	395361023	127.00	5.000	111.76	4.400	121.92	4.800
5.08mm Euro Header, Right Angle, Mounting Ends	24	39536024	395360124	395360224	395360324	395360424	395360524	395360624	395360724	395360824	395360924	395361024	132.08	5.200	116.84	4.600	127.00	5.000

SHEET 2 WAS MEIO DOC EC NO: PG2016-1279 DRAWN BY: DRWINSTONE 2016/03/27 CHECKED BY: LINSK 2016/03/28 APPROVED BY: 2016/03/25	QUALITY SYMBOLS 	GENERAL TOLERANCES (UNLESS SPECIFIED)		DIMENSION STYLE MM/IN		SCALE 1:1	DESIGN UNITS INCH	THIRD ANGLE PROJECTION
		4 PLACES ± --- ± .0015 3 PLACES ± 0.038 ± .005 2 PLACES ± 0.13 ± .01 1 PLACE ± 0.3 ± --- 0 PLACE ± ±	mm INCH	DRAWN BY LROTHAUS	DATE 12/16/05	TITLE 5.08MM, EURO HEADER, RIGHT ANGLE, MOUNTING		
		DRAFT WHERE APPLICABLE MUST REMAIN WITHIN DIMENSIONS		CHECKED BY C. YORK	DATE 01/10/06			
		MATERIAL NO. SEE CHART		APPROVED BY DATE		DOCUMENT NO. SD-39536-002	SHEET NO. 2 OF 2	

10 9 8 7 6 5 4 3 2 1

Description	Circuit Size	Material Numbers												Dimensional Information					
		Black				Green				Dim. A	Dim. U	Dim. C							
		100% Tin		50% U/Gold		100% Tin		50% U/Gold											
Plating Options				Plating Options				Plating Options				mm	inch	mm					
		None	10A	11A	None	10A	11A	None	10A	11A	None	10A	11A						
5.08mm, Euro Header, Right Angle, Mounting Ends	2	395360002	395360102	395360202	395360302	395360402	395360702	395360502	395365102	395365202	395365502	395365602	395365702	20.32	0.800	5.00	0.200	15.24	0.600
5.08mm, Euro Header, Right Angle, Mounting Ends	3	395360003	395360103	395360203	395360303	395360403	395360703	395360503	395365103	395365203	395365503	395365603	395365703	25.40	1.000	10.16	0.400	20.32	0.800
5.08mm, Euro Header, Right Angle, Mounting Ends	4	395360004	395360104	395360204	395360304	395360404	395360704	395360504	395365104	395365204	395365504	395365604	395365704	30.48	1.200	15.24	0.600	25.40	1.000
5.08mm, Euro Header, Right Angle, Mounting Ends	5	395360005	395360105	395360205	395360305	395360405	395360705	395360505	395365105	395365205	395365505	395365605	395365705	35.56	1.400	20.32	0.800	30.48	1.200
5.08mm, Euro Header, Right Angle, Mounting Ends	6	395360006	395360106	395360206	395360306	395360406	395360706	395360506	395365106	395365206	395365506	395365606	395365706	40.64	1.600	25.40	1.000	35.56	1.400
5.08mm, Euro Header, Right Angle, Mounting Ends	7	395360007	395360107	395360207	395360307	395360407	395360707	395360507	395365107	395365207	395365507	395365607	395365707	45.72	1.800	30.48	1.200	40.64	1.600
5.08mm, Euro Header, Right Angle, Mounting Ends	8	395360008	395360108	395360208	395360308	395360408	395360708	395360508	395365108	395365208	395365508	395365608	395365708	50.80	2.000	35.56	1.400	45.72	1.800
5.08mm, Euro Header, Right Angle, Mounting Ends	9	395360009	395360109	395360209	395360309	395360409	395360709	395360509	395365109	395365209	395365509	395365609	395365709	55.88	2.200	40.64	1.600	50.80	2.000
5.08mm, Euro Header, Right Angle, Mounting Ends	10	395360010	395360110	395360210	395360310	395360410	395360710	395360510	395365110	395365210	395365510	395365610	395365710	60.96	2.400	45.72	1.800	55.88	2.200
5.08mm, Euro Header, Right Angle, Mounting Ends	11	395360011	395360111	395360211	395360311	395360411	395360711	395360511	395365111	395365211	395365511	395365611	395365711	66.04	2.600	50.80	2.000	60.96	2.400
5.08mm, Euro Header, Right Angle, Mounting Ends	12	395360012	395360112	395360212	395360312	395360412	395360712	395360512	395365112	395365212	395365512	395365612	395365712	71.12	2.800	55.88	2.200	66.04	2.600
5.08mm, Euro Header, Right Angle, Mounting Ends	13	395360013	395360113	395360213	395360313	395360413	395360713	395360513	395365113	395365213	395365513	395365613	395365713	76.20	3.000	60.96	2.400	71.12	2.800
5.08mm, Euro Header, Right Angle, Mounting Ends	14	395360014	395360114	395360214	395360314	395360414	395360714	395360514	395365114	395365214	395365514	395365614	395365714	81.28	3.200	66.04	2.600	76.20	3.000
5.08mm, Euro Header, Right Angle, Mounting Ends	15	395360015	395360115	395360215	395360315	395360415	395360715	395360515	395365115	395365215	395365515	395365615	395365715	86.36	3.400	71.12	2.800	81.28	3.200
5.08mm, Euro Header, Right Angle, Mounting Ends	16	395360016	395360116	395360216	395360316	395360416	395360716	395360516	395365116	395365216	395365516	395365616	395365716	91.44	3.600	76.20	3.000	86.36	3.400
5.08mm, Euro Header, Right Angle, Mounting Ends	17	395360017	395360117	395360217	395360317	395360417	395360717	395360517	395365117	395365217	395365517	395365617	395365717	96.52	3.800	81.28	3.200	91.44	3.600
5.08mm, Euro Header, Right Angle, Mounting Ends	18	395360018	395360118	395360218	395360318	395360418	395360718	395360518	395365118	395365218	395365518	395365618	395365718	101.60	4.000	86.36	3.400	96.52	3.800
5.08mm, Euro Header, Right Angle, Mounting Ends	19	395360019	395360119	395360219	395360319	395360419	395360719	395360519	395365119	395365219	395365519	395365619	395365719	106.68	4.200	91.44	3.600	101.60	4.000
5.08mm, Euro Header, Right Angle, Mounting Ends	20	395360020	395360120	395360220	395360320	395360420	395360720	395360520	395365120	395365220	395365520	395365620	395365720	111.76	4.400	96.52	3.800	106.68	4.200
5.08mm, Euro Header, Right Angle, Mounting Ends	21	395360021	395360121	395360221	395360321	395360421	395360721	395360521	395365121	395365221	395365521	395365621	395365721	116.84	4.600	101.60	4.000	111.76	4.400
5.08mm, Euro Header, Right Angle, Mounting Ends	22	395360022	395360122	395360222	395360322	395360422	395360722	395360522	395365122	395365222	395365522	395365622	395365722	121.92	4.800	106.68	4.200	116.84	4.600
5.08mm, Euro Header, Right Angle, Mounting Ends	23	395360023	395360123	395360223	395360323	395360423	395360723	395360523	395365123	395365223	395365523	395365623	395365723	127.00	5.000	111.76	4.400	121.92	4.800
5.08mm, Euro Header, Right Angle, Mounting Ends	24	395360024	395360124	395360224	395360324	395360424	395360724	395360524	395365124	395365224	395365524	395365624	395365724	132.08	5.200	116.84	4.600	127.00	5.000

SEE SHEET 1 IEC NO: NEO2006-0310 DRAWN: LROTHAUS CHKD: CORK APPR: PANK LCK 2006/01/09 2006/01/09 2006/01/10	QUALITY SYMBOLS ▽=0 ▽=0	GENERAL TOLERANCES (UNLESS SPECIFIED)		DIMENSION STYLE		SCALE	DESIGN UNITS	THIRD ANGLE PROJECTION
				MM/IN		4:1	INCH	
				DRAWN BY DATE		TITLE		
				CHECKED BY DATE		MATERIAL NO. DOCUMENT NO.		
		APPROVED BY DATE		MATERIAL NO. DOCUMENT NO.		SHEET NO.		
		DRAFT WHERE APPLICABLE MUST REMAIN WITHIN DIMENSIONS		SEE CHART		SD-39536-002		2 OF 2
		THIS DRAWING CONTAINS INFORMATION THAT IS PROPRIETARY TO MOLEX INCORPORATED AND SHOULD NOT BE USED WITHOUT WRITTEN PERMISSION						