

Excellent Integrated System Limited

Stocking Distributor

Click to view price, real time Inventory, Delivery & Lifecycle Information:

[Honeywell Sensing and Productivity Solutions](#)
[10BS226](#)

For any questions, you can email us directly:

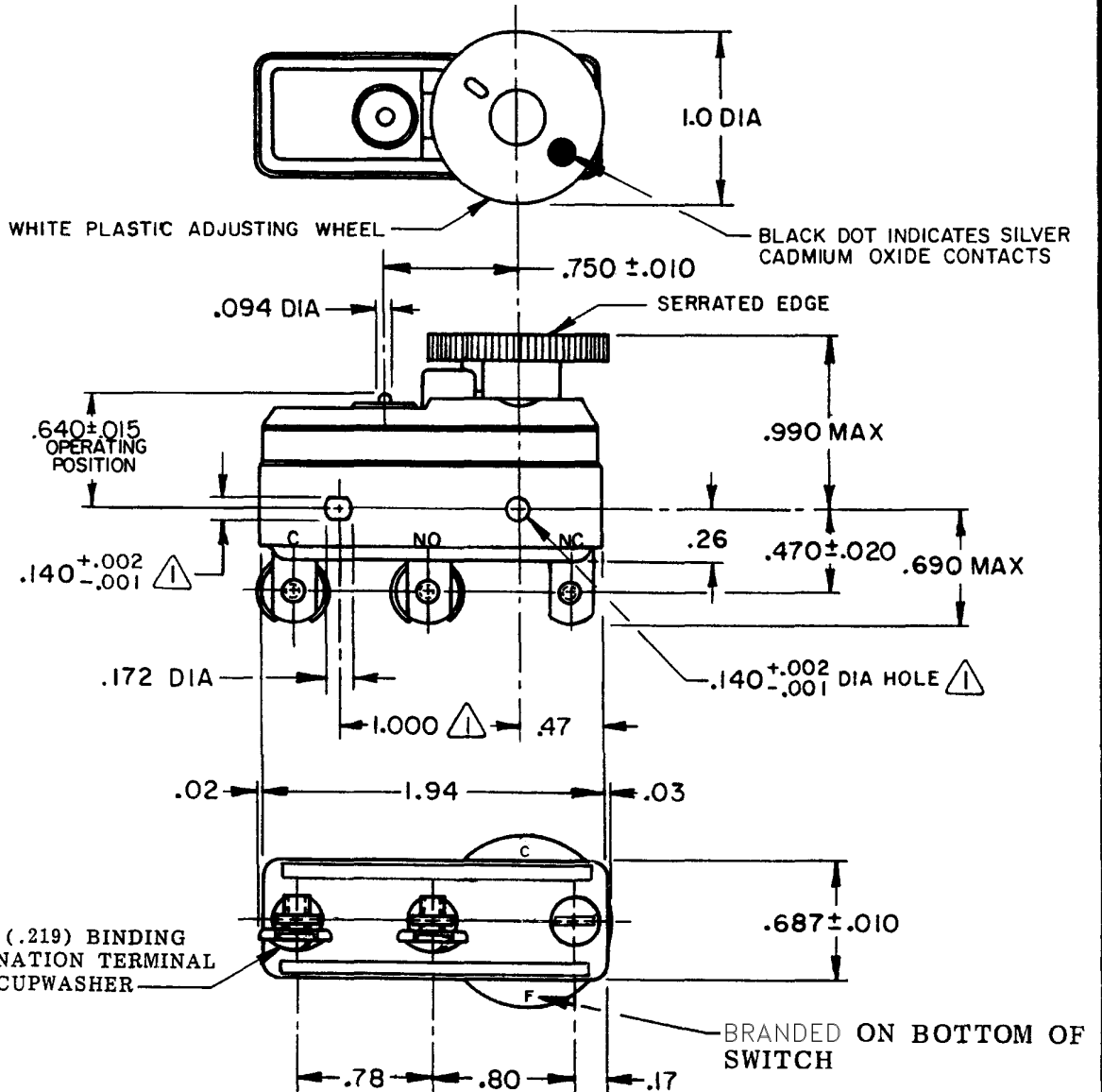
sales@integrated-circuit.com

MICRO SWITCH

FREERPORT ILLINOIS, U.S.A
 A DIVISION OF HONEYWELL
 FED. MFG. CODE 91929

SWITCH - BASIC

CATALOG LISTING
10BS226

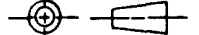


NOTES

- 1 MOUNTING HOLES WILL ACCEPT PINS OR SCREWS OF .139 MAX ON 1.000 ±.002 CENTERS
- 2 - DIAL WHEEL IS SHOWN AT THE MAX SETTING OF BREAK DISTANCE
- 3 - DIAL WHEEL ROTATION 300°
- 4 - 8-32 UNC X .218 REF TERMINAL SCREW AND WASHER FURNISHED UNASSEMBLED (1)

THIS DRAWING COVERS A PROPRIETARY ITEM AND IS THE PROPERTY OF MICRO SWITCH, A DIVISION OF HONEYWELL. THIS DRAWING IS NOT TO BE COPIED OR USED WITHOUT THE APPROVAL OF MICRO SWITCH.

THIRD ANGLE PROJECTION



CHARACTERISTICS

AT MIN SETTING
 OPERATING FORCE - - - - - 11-20 OZ
 RELEASE FORCE - - - - - 10 OZ MIN
 DIFFERENTIAL TRAVEL - - - - .0015-.0025

AT MAX SETTING
 DIFFERENTIAL TRAVEL - - - - .007 MIN
 OVERTRAVEL - - - - - .010 MIN

ELECTRICAL DATA

CONTACT ARRANGEMENT
 S P D T

L17
 20A 125, 250 OR 480 VAC
 3/4 HP 125 VAC, 1 1/2 HP 250 VAC



SCALE FULL

DO NOT SCALE PRINT

APPLY TO DESIGN UNITS. CONVERSIONS ARE ONLY FOR REFERENCE. UNLESS NOTED, TOLERANCES ARE ±

| | DIM. mm | TOL. mm/in | DIM. in | TOL. mm/in |
|--------------|------------|---------------|------------|---------------|
| NO PLACES | X | 1/.04 | | |
| ONE PLACE | X.X | 0.4/.016 | X.X | 0.01/05 |
| TWO PLACES | X.XX | 0.15/.008 | X.XX | 0.38/.016 |
| THREE PLACES | X.XXX | | X.XXX | 0.13/.008 |

DESIGN UNITS SI METRIC US CUSTOMARY

WEIGHT

10BS226

M

DRAWING NUMBER

ISSUE

8

REVISIONS

| | | | |
|---|---------|------|-----------|
| A | C080053 | JALA | 5 APR 95 |
| B | C080986 | JALA | 26 JUN 95 |

REPLACES

RELEASE NO. PR-13879

CHECK

CHECK

1 MAY 85

KAG

85

APR 85

DRAWN

J A P

FORMTEK