

Excellent Integrated System Limited

Stocking Distributor

Click to view price, real time Inventory, Delivery & Lifecycle Information:

[Honeywell Sensing and Productivity Solutions](#)
[10BS228](#)

For any questions, you can email us directly:

sales@integrated-circuit.com

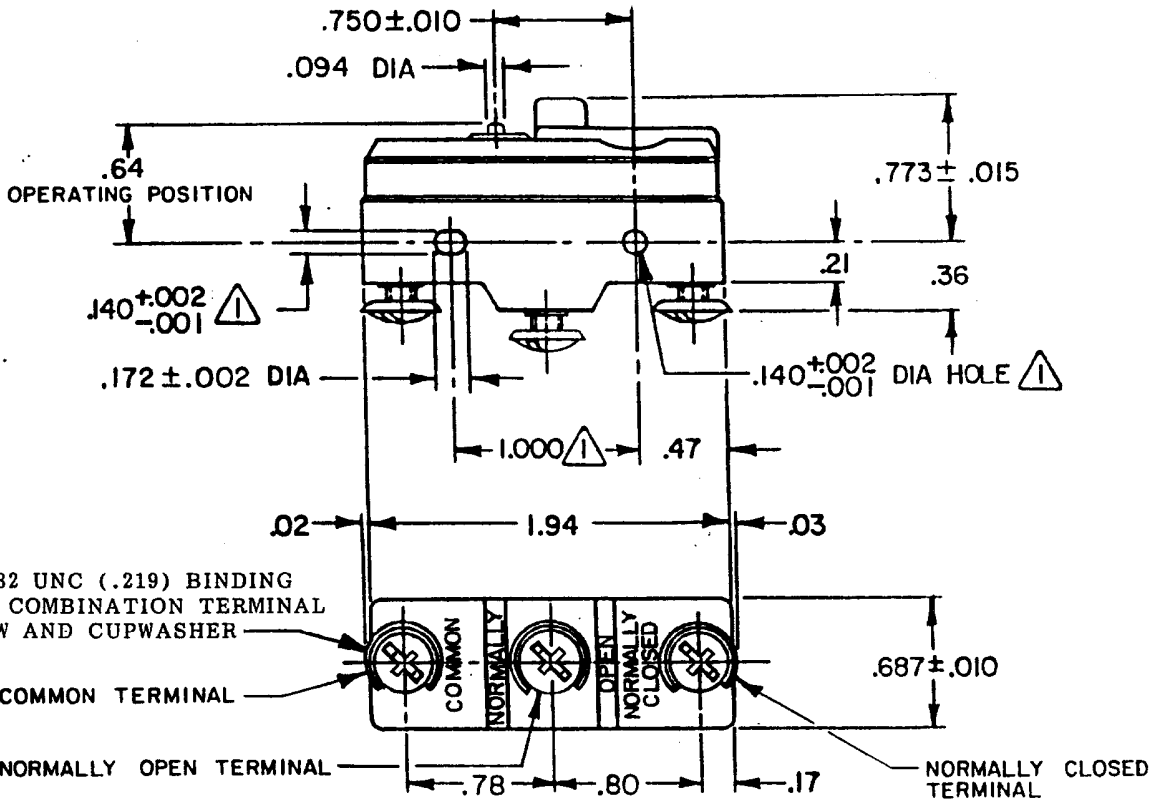
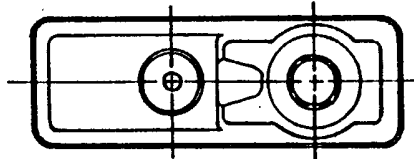


MICRO SWITCH

FREERPORT ILLINOIS, U.S.A
 A DIVISION OF HONEYWELL INC.
 FED. MFG. CODE 91929

SWITCH - BASIC

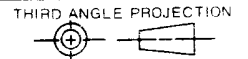
CATALOG LISTING
10BS228



NOTES

- 1 MOUNTING HOLES WILL ACCEPT PINS OR SCREWS OF .139 MAX DIA ON 1.000 ± .002 CENTERS
- 2 - ADJUSTING SCREW BUSHING IS AT SAME ELECTRICAL POTENTIAL AS NORMALLY CLOSED TERMINAL

THIS DRAWING COVERS A PROPRIETARY ITEM AND IS THE PROPERTY OF MICRO SWITCH, A DIVISION OF HONEYWELL. THIS DRAWING IS NOT TO BE COPIED OR USED WITHOUT THE APPROVAL OF MICRO SWITCH.



CHARACTERISTICS

OPERATING FORCE - - - - 32 OZ MAX
 RELEASE FORCE - - - - - 10 OZ MIN
 DIFFERENTIAL TRAVEL - - - - .010 MIN
 OVERTRAVEL - - - - - .010 MIN

ELECTRICAL DATA

CONTACT ARRANGEMENT
 S P D T
 20A 125, 250 OR 480 VAC
 3/4 HP 125 VAC, 1 1/2 HP 250 VAC



60 / 75° (CU)

SCALE FULL

DO NOT SCALE PRINT

UNLESS OTHERWISE SPECIFIED TOLERANCES ARE
 ONE PLACE (.0) ± .030
 TWO PLACE (.00) ± .015
 THREE PLACE (.000) ± .005
 ANGLES ± 10°
 RAW MATERIAL - COMMERCIAL STANDARD
 DIMENSIONS ARE IN INCHES AND ARE TO BE MET BEFORE PROTECTIVE COATINGS ARE APPLIED
 MICRO SWITCH STANDARDS APPLY
 WEIGHT

M 10BS228
 DRAWING NUMBER
 ISSUE 3
 REVISIONS
 A CO-73287-C JJA 20 OCT 93
 B CO-80988 JJA 5 JUN 95
 CHECK 3 SEP 87
 DRAWN MAM 1 SEP 87
 FO-52848-B

REPLACES X84699 - 10BS
 RELEASE NO. PR - 15873
 CHECK