

Excellent Integrated System Limited

Stocking Distributor

Click to view price, real time Inventory, Delivery & Lifecycle Information:

[Hammond Manufacturing](#)

[PWPA](#)

For any questions, you can email us directly:

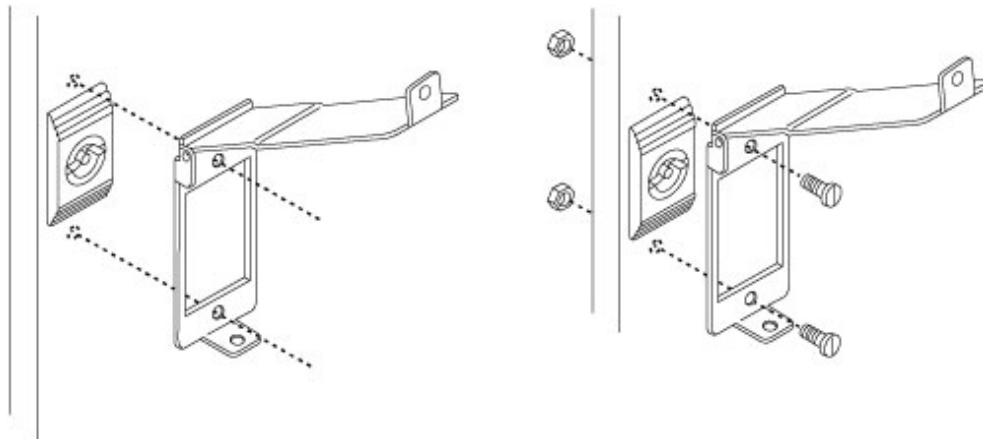
sales@integrated-circuit.com

PW Series Padlock Adaptor *PWPA Series*

Note: This product line has been discontinued as a stocked series. Information is for reference only. For alternative solution assistance, please contact Hammond Customer Service - sales@hammfg.com or USA (716) 630-7030, Canada and International (519) 822-2960.



- Permits installation of padlock over the standard "Double Bar" quarter turn.
- 1.5 mm thick stainless steel.
- Easy installed in the field.



Padlocking Lock System Installation

Part No. **PWPA**

Data subject to change without notice