

Excellent Integrated System Limited

Stocking Distributor

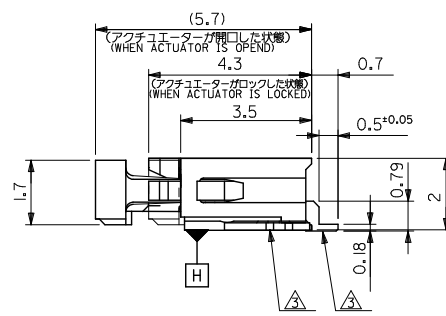
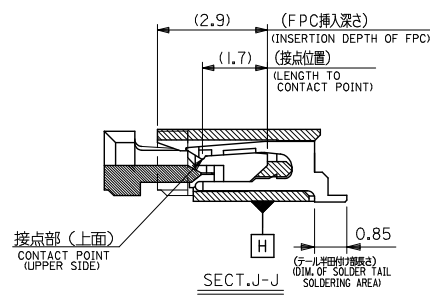
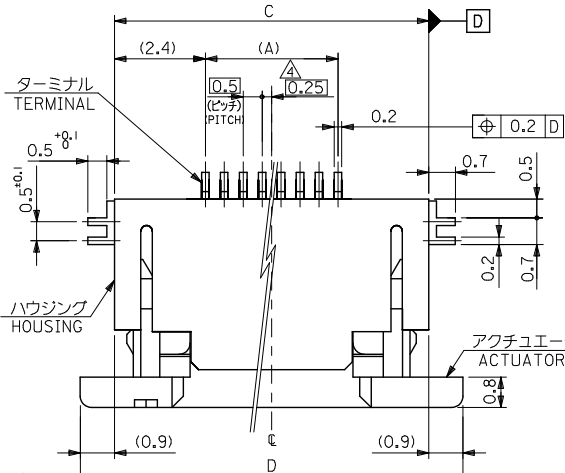
Click to view price, real time Inventory, Delivery & Lifecycle Information:

[Molex Connector Corporation](#)
[52745-0690](#)

For any questions, you can email us directly:

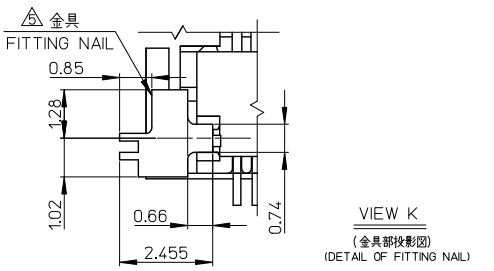
sales@integrated-circuit.com

10 9 8 7 6 5 4 3 2 1



16.1	14.3	10.65	9.5	52745-2090	20
15.6	13.8	10.15	9	52745-1990	19
14.1	12.3	8.65	7.5	52745-1690	16
13.6	11.8	8.15	7	52745-1590	15
12.6	10.8	7.15	6	52745-1390	13
11.6	9.8	6.15	5	52745-1190	11
11.1	9.3	5.65	4.5	52745-1090	10
10.6	8.8	5.15	4	52745-0990	9
10.1	8.3	4.65	3.5	52745-0890	8
9.6	7.8	4.15	3	52745-0790	7
9.1	7.3	3.65	2.5	52745-0690	6
8.1	6.3	2.65	1.5	52745-0490	4
D	C	B	(A)	EMBOSSED PACKAGE	極数 CKT.

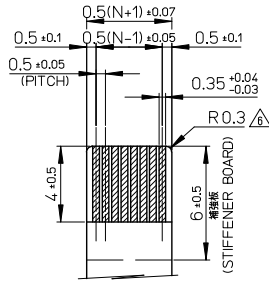
CONNECTOR SERIES NO. : 52745-***17



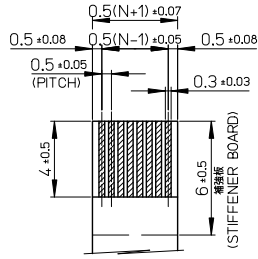
REVISED IEC NO. J2016-0389 DRAWN: MORISHITA 2015/10/20 CHIKIDAKAHASHI 2015/10/20 APPR: YNOGAWA 2015/11/13	GENERAL TOLERANCES (UNLESS SPECIFIED)		DIMENSION STYLE		SCALE	DESIGN UNITS	THIRD ANGLE PROJECTION
	0.25 UNDER	UNDER	±0.03	MM ONLY	10:1	METRIC	
	0.25 OVER	0.5 UNDER	±0.05	DRAWN BY	DATE	TITLE	
	0.5 OVER	1.0 UNDER	±0.1	SAIHARA	1994/03/24	0.5 FPC CONN. ZIF FOR SMT R/A (UPPER CONTACT) TIN-LEAD PLATING	
	1.0 OVER	10 UNDER	±0.2	CHECKED BY	DATE	DOCUMENT NO.	
10 OVER	30 UNDER	±0.25	SKUNISHI	2000/06/30	SD-52745-054		
30 OVER		±0.3	APPROVED BY	DATE	SHEET NO.		
ANGULAR ±3°			KNORIKAWA	2010/07/16	1 OF 2		
DRAFT WHERE APPLICABLE MUST REMAIN WITHIN DIMENSIONS			MATERIAL NO.		SEE CHART		
THIS DRAWING CONTAINS INFORMATION THAT IS PROPRIETARY TO MOLEX INCORPORATED AND SHOULD NOT BE USED WITHOUT WRITTEN PERMISSION							

10 9 8 7 6 5 4 3 2 1

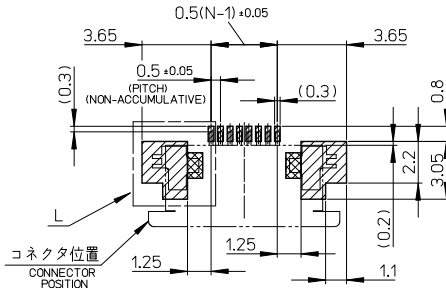
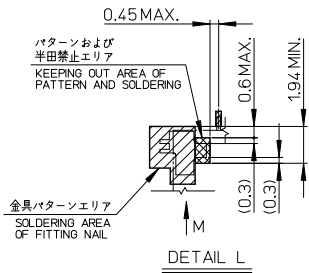
10 9 8 7 6 5 4 3 2 1



適合金めっきFPC推奨寸法
APPLICABLE FPC OF GOLD
PLATING RECOMMENDED DIMENSION
仕上がり厚さ: 0.3±0.03
THICKNESS: 0.3±0.03/-0.03

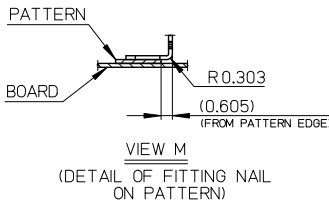


適合金めっきFPC推奨寸法
APPLICABLE FFC OF GOLD
PLATING RECOMMENDED DIMENSION
仕上がり厚さ: 0.3±0.03
THICKNESS: 0.3±0.03/-0.03



参考基板レイアウト
(マウント面)

RECOMMENDED P.C.BOARD
PATTERN DIMENSION(REF.)
(MOUNTING SIDE)



VIEW M
(DETAIL OF FITTING NAIL
ON PATTERN)

注記NOTES

1. 使用材料

MATERIAL

ハウジング: 46ナイロン, ガラス充填, UL94V-0, 白
HOUSING: PA46, GLASS FILLED, UL94V-0, WHITE
アクチュエータ: ポリフェニレンサルファイド (PPS), ガラス充填, UL94V-0, 黒
ACTUATOR: POLYPHENYLENE SULFIDE, GLASS FILLED, UL94V-0, BLACK
ターミナル: リン青銅, 銅下地半田めっき (t=0.2)
TERMINAL: PHOSPHOR BRONZE, TIN-LEAD OVER COPPER PLATING
金具: リン青銅, 銅下地半田めっき (t=0.2)
FITTING NAIL: PHOSPHOR BRONZE, TIN-LEAD OVER COPPER PLATING

2. エンボステープ梱包時は、アクチュエータがロックした状態になります。

IN THE PACKAGE, ACTUATOR OF PART NO.52745-0690 SHOULD BE LOCKED.

③ ソルダータール半田付け面のズレ量、及び金具半田付け面のズレ量は、基準面Hに対して上方向に0.1MAXIMUM、下方向0.15MAXIMUMとする。
MISALIGNMENT OF SOLDER TAILS AND FITTING NAILS FROM DATUM-H,
UPPER DIRECTION: 0.1MAXIMUM
LOWER DIRECTION: 0.15 MAXIMUM

④ 偶数極に適用

APPLY FOR EVEN CIRCUIT.

⑤ パターン剥離止め金具

FITTING NAIL FOR PREVENTION OF PEELING OF P.W.B. PATTERN.

⑥ R0.3は、FPCの胴体部にかからないこと

R0.3 MUST NOT BE OVERLAPED TO PATTERN OF FPC.

FPCについて:

打抜き方向は導体側から補強板を推奨致します。
補強フィルム材質はポリイミドを推奨致します。
接着剤は熱硬化接着剤を推奨致します。

ABOUT FPC:

RECOMMENDED PUNCHER DIRECTION : FROM CONDUCTOR SIDE TO STIFFENER BOARD SIDE.

RECOMMENDED MATERIAL :

STIFFENER FILM : POLYIMIDE

BONDING AGENT : THERMOSETTING BONDING AGENT

REVISED EC NO. J2016-0389 DRAWN: MORISHITA 2015/10/20 CHKD: TAKAHASHI 2015/10/20 APPR: YINGAWA 2015/11/13	GENERAL TOLERANCES (UNLESS SPECIFIED)		DIMENSION STYLE		SCALE	DESIGN UNITS	THIRD ANGLE PROJECTION
	0.25 UNDER	UNDER	±0.03	MM ONLY	5:1	METRIC	
	0.25 OVER	0.5 UNDER	±0.05	DRAWN BY	DATE	TITLE	
	0.5 OVER	1.0 UNDER	±0.1	SAIHARA	1994/03/24	0.5 FPC CONN. ZIF FOR SMT R/A (UPPER CONTACT) TIN-LEAD PLATING	
	1.0 OVER	10 UNDER	±0.2	CHECKED BY	DATE		
	10 OVER	30 UNDER	±0.25	SKUNISHI	2000/06/30		
	30 OVER		±0.3	APPROVED BY	DATE		
	ANGULAR	±3°		KMORIKAWA	2010/07/16		
	DRAFT WHERE APPLICABLE MUST REMAIN WITHIN DIMENSIONS		SIZE	SEE SHEET 1		DOCUMENT NO.	
			A3	THIS DRAWING CONTAINS INFORMATION THAT IS PROPRIETARY TO MOLEX INCORPORATED AND SHOULD NOT BE USED WITHOUT WRITTEN PERMISSION		SD-52745-054	SHEET NO. 2 OF 2

9 8 7 6 5 4 3 2 1

10 9 8 7 6 5 4 3 2 1

注記 NOTES

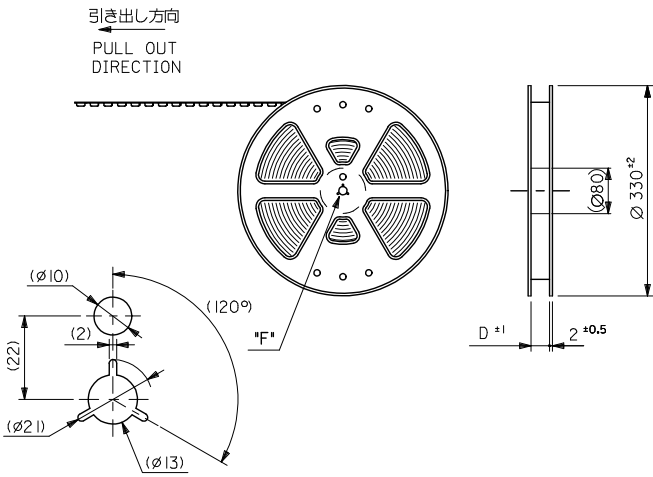
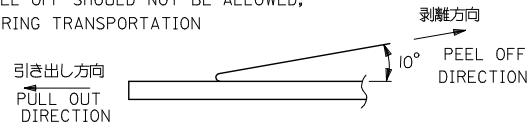
1. 製品番号 52745-***17 の梱包状態はアクチュエータがロックした状態とする。
詳細寸法については図面 SD-52745-054 を参照下さい。
IN THE PACKAGE,ACTUATOR OF PART NO.52745-***17 SHOULD BE LOCKED
RE DETAILED DIMENSIONS,SEE SD-52745-054

2. 梱包数量：1000個/リール
NUMBER OF CONNECTORS:1000PCS/REEL

3. リードテープ長さ LEAD TAPE LENGTH



4. トップテープの剥離強度：(剥離方向は下図参照)
0.1N~0.7N(10.2gf~71.4gf) 尚、本規格値は、出荷時に適用。
(但し、輸送時に剥離が発生しない事。)
PEELING OFF FORCE OF TOP TAPE
0.1N~0.7N(10.2gf~71.4gf)(PEELING DIRECTION AS SHOWN IN FOLLOWING FIG.)
THIS REQUIREMENT SHOULD BE APPLIED AT SHIPMENT
PEEL OFF SHOULD NOT BE ALLOWED,
DURING TRANSPORTATION



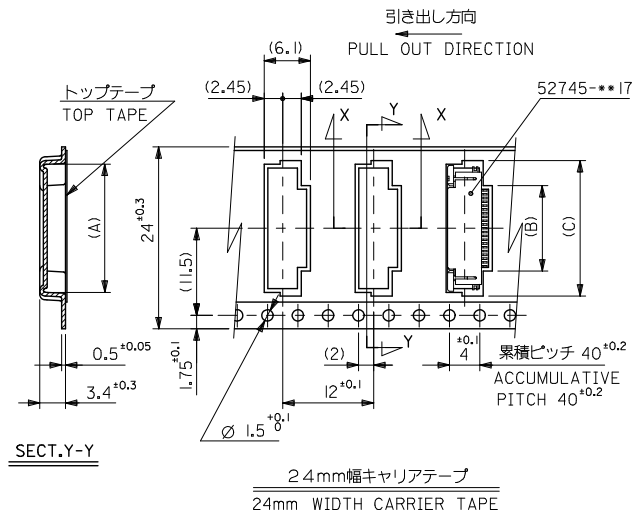
DETAIL *F*

5. 材料 キャリアテープ:ポリプロピレン (PP)
トップテープ:PET, PE, PEF
リール:ポリスチレン (PS) <リサイクル材を含む>
MATERIAL CARRIER TAPE:POLYPROPYLENE
TOP TAPE:PET,PE,PEF
REEL:POLYSTYREN(PS)
<RECYCLE MATERIAL CONTAINED>

REVISED EC NO. J2016-0389 DRAWN: MORI SHITA 2015/10/20 CHKD: TAKAHASHI 2015/10/20 APPR: INOGAWA 2015/11/13	GENERAL TOLERANCES (UNLESS SPECIFIED)			DIMENSION STYLE MM ONLY		SCALE ---	DESIGN UNITS METRIC	THIRD ANGLE PROJECTION
	0.25 UNDER	UNDER	±0.03	DRAWN BY	DATE	TITLE		
	0.25 OVER	0.5 UNDER	±0.05	MTAKAHASHI	04 2013/07/30	0.5 FPC CONN ZIF SMT RA UPPER CONTACT EMBSTP PKG (1/3)		
	0.5 OVER	4.0 UNDER	±0.1	CHECKED BY	DATE	molex		
1.0 OVER	10 UNDER	±---	KTAKAHASHI	2013/07/30	DOCUMENT NO.			
10 OVER	30 UNDER	±---	APPROVED BY	DATE	SD-52745-057			
30 OVER		±---	YNOGAWA	2013/11/07	SHEET NO.			
ANGULAR	±---	°	MATERIAL NO.		1 OF 3			
DRAFT WHERE APPLICABLE MUST REMAIN WITHIN DIMENSIONS				SEE SHEET 1				
				THIS DRAWING CONTAINS INFORMATION THAT IS PROPRIETARY TO MOLEX INCORPORATED AND SHOULD NOT BE USED WITHOUT WRITTEN PERMISSION				

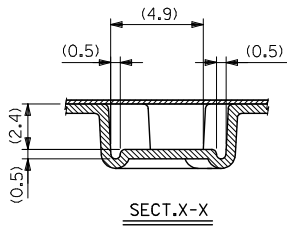
9 8 7 6 5 4 3 2 1

10 9 8 7 6 5 4 3 2 1



SECT.Y-Y

24mm幅キャリアテープ
24mm WIDTH CARRIER TAPE



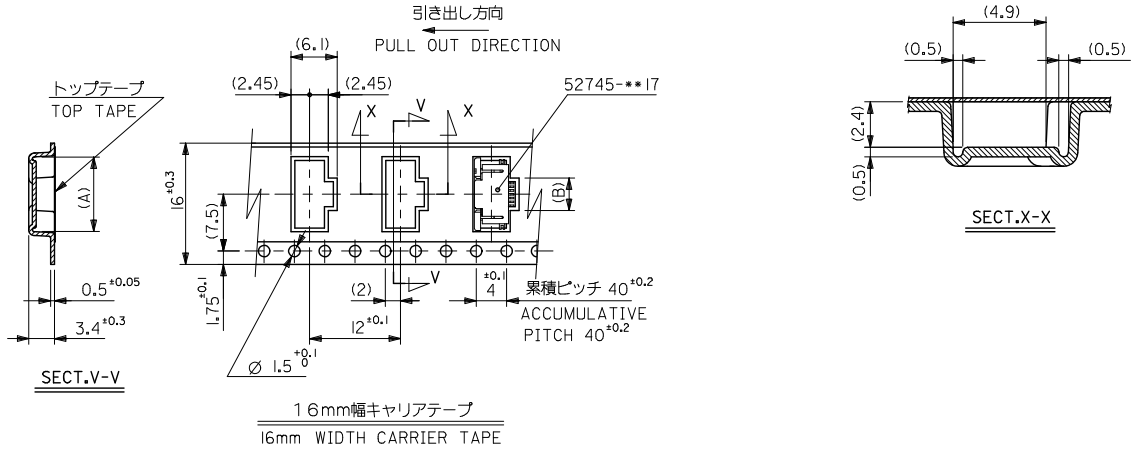
SECT.X-X

24	25.5	17.4	10.8	16.4	52745-2090	20
		16.9	10.3	15.9	-1990	19
		15.4	8.8	14.4	-1690	16
		14.9	8.3	13.9	-1590	15
		13.9	7.3	12.9	-1390	13
		12.9	6.3	11.9	-1190	11
		12.4	5.8	11.4	-1090	10
		11.9	5.3	10.9	-0990	9
		11.4	4.8	10.4	-0890	8
		10.4	3.8	9.4	-0790	7
キャリアテープ幅 CARRIER TAPE IDTH		D	(C)	(B)	(A)	52745-0690
ENG. NO.		極致 CIRCUIT				

REVISED IEC NO. J2016-0389 DRAWN: MORI SHITA 2015/10/20 CHIKO TAKAHASHI 2015/10/20 APPR: YNOGAWA 2015/11/13	GENERAL TOLERANCES (UNLESS SPECIFIED)			DIMENSION STYLE		SCALE	DESIGN UNITS	THIRD ANGLE PROJECTION
				MM ONLY		---	METRIC	◎ □
	0.25 UNDER UNDER ±0.03			DRAWN BY DATE		TITLE		
	0.25 OVER 0.5 UNDER ±0.05			MTAKAHASHI 04 2013/07/30		0.5 FPC CONN ZIF SMT RA UPPER CONTACT EMBSTP PKG (2/3)		
	0.5 OVER 4.0 UNDER ±0.1			CHECKED BY DATE		molex		
1.0 OVER 10 UNDER ±---			KTAKAHASHI 2013/07/30		DOCUMENT NO.			
30 OVER 30 UNDER ±---			APPROVED BY DATE		SD-52745-057			
ANGULAR ±--- °			YNOGAWA 2013/11/07		SHEET NO.			
DRAFT WHERE APPLICABLE MUST REMAIN WITHIN DIMENSIONS			MATERIAL NO.		2 OF 3			
			SEE CHART		THIS DRAWING CONTAINS INFORMATION THAT IS PROPRIETARY TO MOLEX INCORPORATED AND SHOULD NOT BE USED WITHOUT WRITTEN PERMISSION			

9 8 7 6 5 4 3 2 1

10 9 8 7 6 5 4 3 2 1



16	17.5	2.8	8.4	52745-0490	4
キャリアテープ幅 CARRIER TAPE WIDTH	D	(B)	(A)	ENG. NO.	極致 CIRCUIT

REVISED IEC NO. J2016-0389 DRAWN: MORI SHITA 2015/10/20 CHIKO TAKAHASHI 2015/10/20 APPR: YNOGAWA 2015/11/13	GENERAL TOLERANCES (UNLESS SPECIFIED)			DIMENSION STYLE		SCALE	DESIGN UNITS	THIRD ANGLE PROJECTION
	0.25 UNDER	UNDER	±0.03	MM ONLY		---	METRIC	☉ □
	0.25 OVER	0.5 UNDER	±0.05	DRAWN BY DATE		TITLE		
	0.5 OVER	1.0 UNDER	±0.1	MTAKAHASHI 04 2013/07/30		0.5 FPC CONN ZIF SMT RA UPPER CONTACT EMBSTP PKG (3/3)		
	1.0 OVER	10 UNDER	±---	CHECKED BY DATE		molex		
	10 OVER	30 UNDER	±---	XTAKAHASHI 2013/07/30		DOCUMENT NO.		
	30 OVER		±---	APPROVED BY DATE		SD-52745-057		
	ANGULAR	±---	°	YNOGAWA 2013/11/07		SHEET NO.		
	DRAFT WHERE APPLICABLE MUST REMAIN WITHIN DIMENSIONS			MATERIAL NO.		3 OF 3		
				SEE CHART		THIS DRAWING CONTAINS INFORMATION THAT IS PROPRIETARY TO MOLEX INCORPORATED AND SHOULD NOT BE USED WITHOUT WRITTEN PERMISSION		

9 8 7 6 5 4 3 2 1