

Excellent Integrated System Limited

Stocking Distributor

Click to view price, real time Inventory, Delivery & Lifecycle Information:

[Molex Connector Corporation](#)
[0732980010](#)

For any questions, you can email us directly:

sales@integrated-circuit.com

MATERIALS AND FINISHES

BODY, CONTACT SLEEVE STAINLESS STEEL
PLATED GOLD

FLANGE BODY STAINLESS STEEL
PASSIVATE

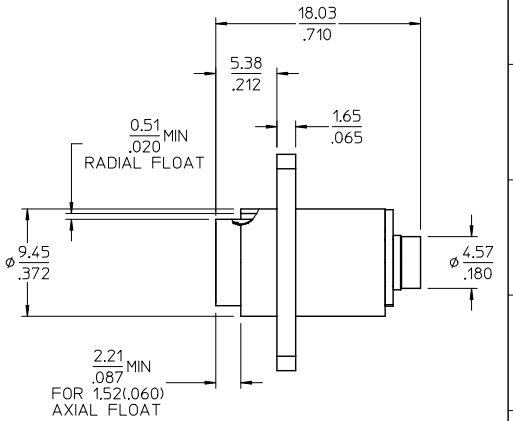
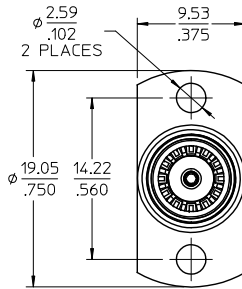
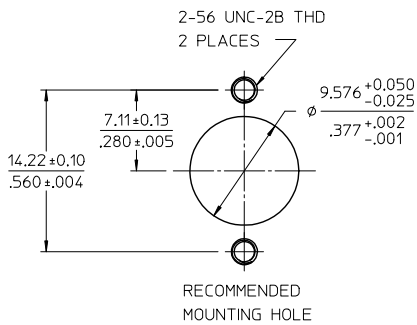
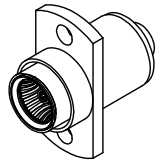
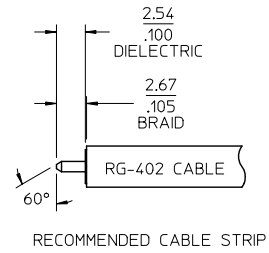
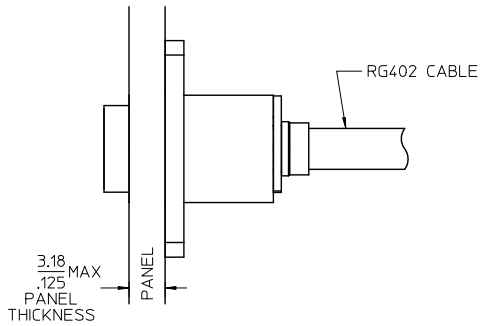
RETAINING CLIP CARBON STEEL
PLATED NICKEL

WASHER BRASS
PLATED NICKEL

SPRING STEEL
PLATED NICKEL

CENTER CONTACT, SPRINGS BERYLLIUM COPPER
PLATED GOLD

INSULATOR TEFLON



73298-0011	-0010, ONE PER BAG
73298-0010	TRAY
PART NO	PACKAGING

PS-89675-1860	ELEC/MECH PERFORMANCE
MIL-STD-348A, FIG. 321.2	INTERFACE
SPECIFICATION	DESCRIPTION

CHG: UPDATED VIEWS PER RF15-E307 EC NO: URF-2016-0160 DRW: WARETEH CHKD: YAPPR: YCHENG 2015/09/07 2015/09/07	QUALITY SYMBOLS ∇=0 ∇=0 ∇=0	GENERAL TOLERANCES (UNLESS SPECIFIED) mm INCH 4 PLACES ± --- ± --- 3 PLACES ± --- ± --- 2 PLACES ± --- ± --- 1 PLACE ± --- ± --- 0 PLACE ± --- ± --- ANGULAR ± 2 ° DRAFT WHERE APPLICABLE MUST REMAIN WITHIN DIMENSIONS	DIMENSION STYLE MM/IN	SCALE 4:1	DESIGN UNITS METRIC	THIRD ANGLE PROJECTION
		DRAWN BY: TEF CHECKED BY: SSS APPROVED BY: GMH DATE: 2003/05/03 DATE: 2003/05/03 DATE: 2003/05/03	TITLE BMA JACK, 2H FLANGE, FLOAT MT FOR RG402, 50 OHMS EWR-2215, BMA-JC/F	MATERIAL NO. SEE TABLE	DOCUMENT NO. SD-73298-001	SHEET NO. 1 OF 1