

Excellent Integrated System Limited

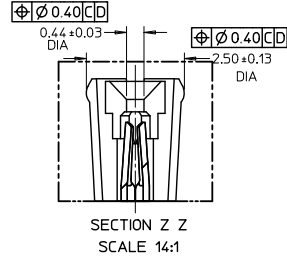
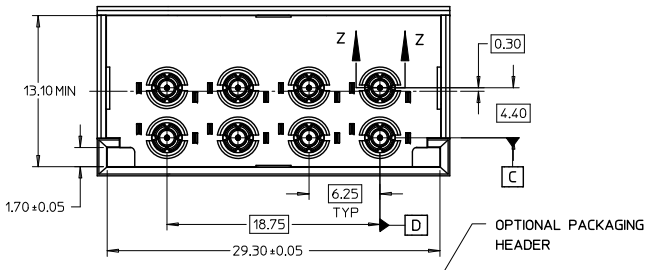
Stocking Distributor

Click to view price, real time Inventory, Delivery & Lifecycle Information:

[Molex Connector Corporation](#)
[0747121008](#)

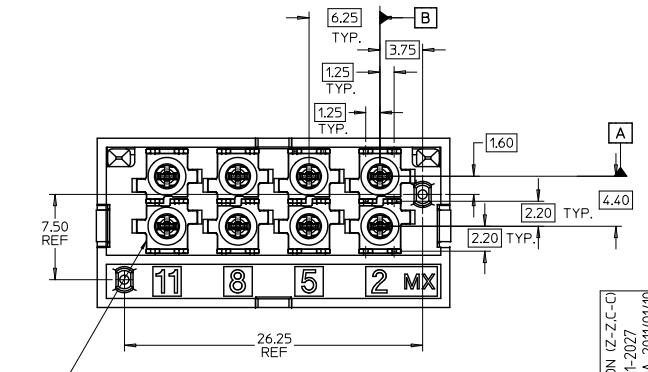
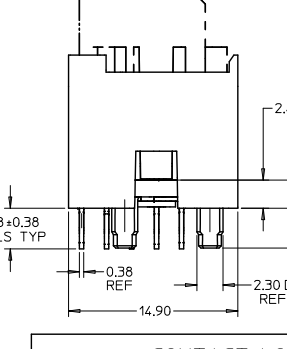
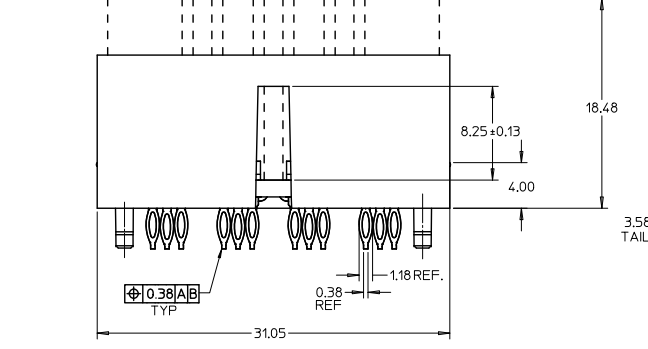
For any questions, you can email us directly:

sales@integrated-circuit.com



MATERIAL NO.	TERMINAL LOADING BY POSITION	PACKAGING
74712-0001	2, 5, 8, 11	PK-74712-001
74712-0002	2	PK-74712-001
74712-0003	2, 5, 8, 11	PK-74712-002

- NOTES:
- MATERIAL:
 - HOUSING: GLASS FILLED THERMO PLASTIC, 94V-0
 - INSULATOR: GLASS FILLED THERMO PLASTIC, 94V-0
 - PACKAGING HEADER: GLASS FILLED THERMO PLASTIC, 94V-0
 - TERMINALS AND GROUND: TIN BRASS
 - OUTER GROUND CONTACT: PHOSPHOR BRONZE
 - PLATING:
 - TERMINALS:
 - SELECTIVE 0.76 MICRONS MIN. GOLD IN CONTACT AREA
 - SELECTIVE 0.88 MICRONS MIN. TIN BOTH OVER
 - 1.27 MICRONS MIN. NICKEL UNDERPLATE
 - GROUNDS:
 - 0.88 MICRONS MIN. TIN OVERALL OVER
 - 1.27 MICRONS MIN. NICKEL UNDERPLATE
 - OUTER GROUND CONTACT:
 - 0.76 MICRONS MIN. GOLD OVERALL OVER
 - 1.27 MICRONS MIN. NICKEL UNDERPLATE
 - REFER TO PRODUCT SPEC: PS-74854-001 FOR ELECTRICAL, MECHANICAL AND ENVIRONMENTAL REQUIREMENTS.
 - REFER TO PACKAGING SPEC STATED IN CHARTS FOR DETAILS OF THE PACKAGING REQUIREMENTS.
 - DATE CODE MARKING TO BE LOCATED ANYWHERE ON PLASTIC HOUSING. FIRST TWO DIGITS = WEEK NUMBER. LAST TWO DIGITS = YEAR.
 - THIS PART CONFORMS TO CLASS B REQUIREMENTS OF MOLEX COSMETIC SPECIFICATION PS-45499-002.



CONTACT LOADING OPTIONS FOR 8 POS CONNECTORS

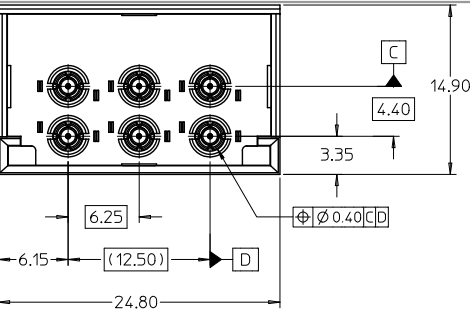
MAT'L NO. 747120001/0003
POSITION 2,5,8 & 11 LOADED

MAT'L NO. 747120002
POSITION 2 LOADED

MARKING ON BOTTOM OF SUB-ASSEMBLY INDICATES INSPECTION ACCEPTANCE

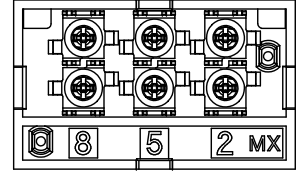
8 POS. CONNECTOR SHOWN

QUALITY SYMBOLS	GENERAL TOLERANCES (UNLESS SPECIFIED)		SCALE	DESIGN UNITS	THIRD ANGLE PROJECTION	REVISE ON CAD ONLY
	mm	INCH	4:1	METRIC		
▽-0	4 PLACES ±---	±---		MM ONLY	SALES DRAWING FOR VERTICAL GANGED RF CONNECTOR, LONG TAILS	MOLEX INCORPORATED
▽-0	3 PLACES ±---	±---		DRAWN BY SREED DATE 2006/06/06		
	2 PLACES ±0.13	±---		CHECKED BY JBINGHAM DATE 2006/06/06		
	1 PLACE ±0.25	±---		APPROVED BY JBINGHAM DATE 2009/11/23		
	ANGULAR ± 2°				MATERIAL NO. SEE CHART	DOCUMENT NO. SD-74712-003
	DRAFT WHERE APPLICABLE				SHEET NO. 1 OF 5	
	MUST REMAIN WITHIN DIMENSIONS				THIS DRAWING CONTAINS INFORMATION THAT IS PROPRIETARY TO MOLEX INCORPORATED AND SHOULD NOT BE USED WITHOUT WRITTEN PERMISSION	

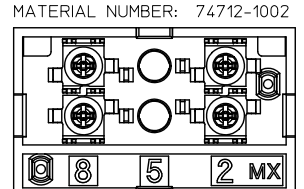


6 POSITION CONNECTOR			
MATERIAL NUMBER	POSITION OF LOADED TERMINAL(S)	OPTIONAL PACKAGING HEADER	PACKAGING SPECIFICATION
74712-1001	2, 5, 8	YES	PK-74712-101
74712-1002	2, 8	YES	
74712-1003	2	YES	
74712-1004	8	YES	
74712-1005	5	YES	PK-74712-102
74712-1006	2	YES	

MATERIAL NUMBER: 74712-1001/-1005

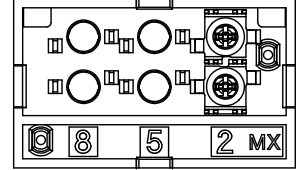


TERMINAL POSITIONS LOADED: 2, 5, 8

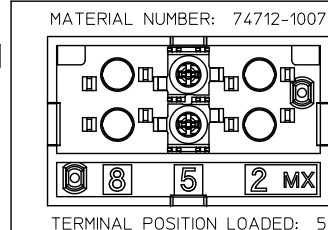


TERMINAL POSITIONS LOADED: 2, 8

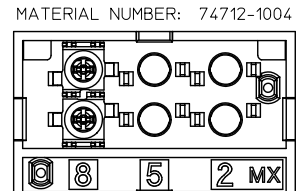
MATERIAL NUMBER: 74712-1003/-1006



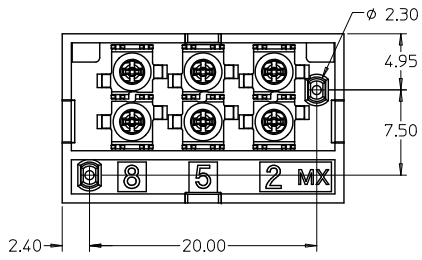
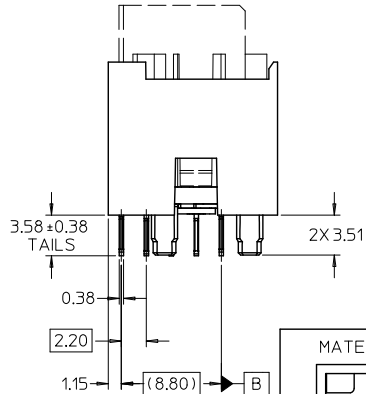
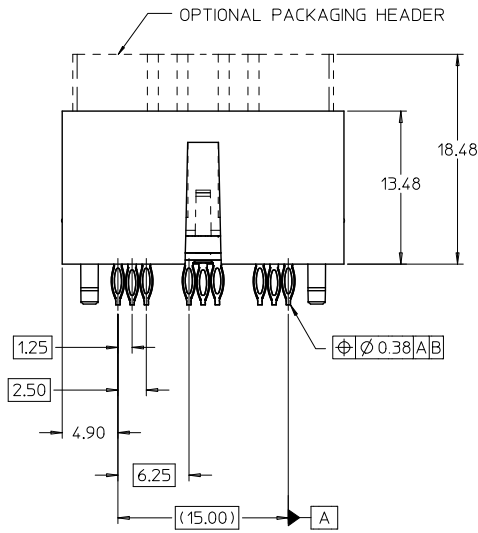
TERMINAL POSITION LOADED: 2



TERMINAL POSITION LOADED: 5



TERMINAL POSITION LOADED: 8

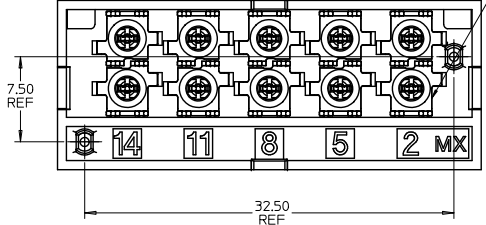
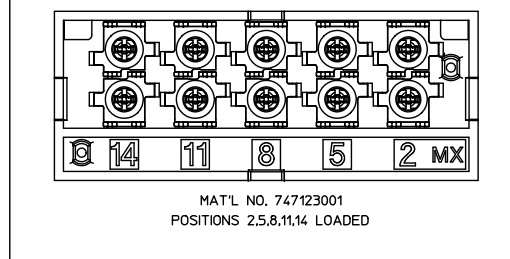
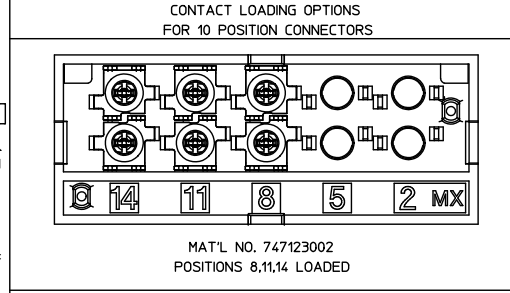
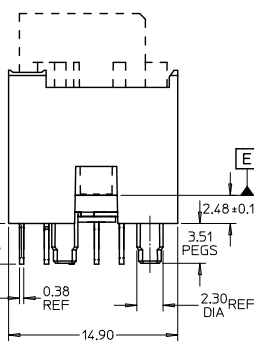
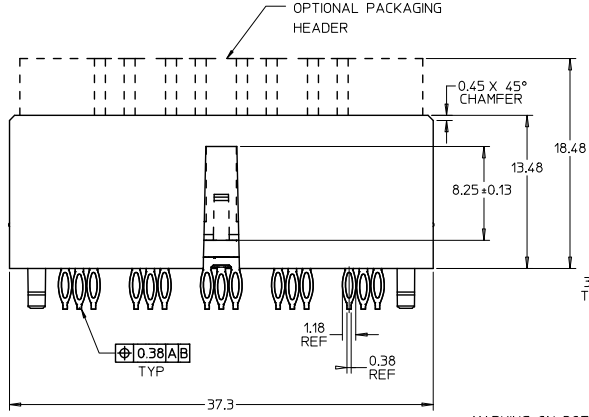
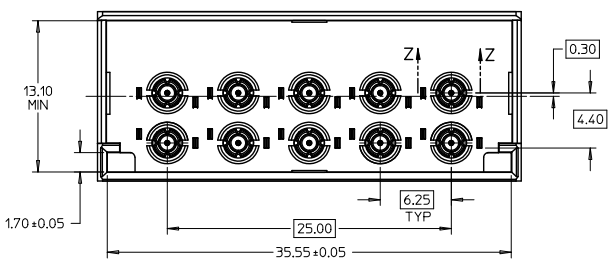


SEE SHEET 1 EC NO: UCP2011-2027 DRWN: J.MENDOZA 2011/07/08 CHKD: J.B.INGHAM 2011/07/10 APPR: J.B.INGHAM 2011/07/11	QUALITY SYMBOLS ▽=0 ▽=0	GENERAL TOLERANCES (UNLESS SPECIFIED)		DIMENSION STYLE MM ONLY		SCALE 4:1	DESIGN UNITS METRIC	THIRD ANGLE PROJECTION
		4 PLACES ± --- ± ---	DRAWN BY SREED	DATE 2006/06/06	TITLE SALES DRAWING FOR VERTICAL GANGED RF CONNECTOR, LONG TAILS			
		3 PLACES ± --- ± ---	CHECKED BY J.B.INGHAM	DATE 2006/06/06	MOLEX INCORPORATED			
		2 PLACES ± 0.13 ± ---	APPROVED BY J.B.INGHAM	DATE 2009/11/23	DOCUMENT NO. SD-74712-003			
1 PLACE ± 0.25 ± ---	ANGULAR ± 2 °		DRAFT WHERE APPLICABLE MUST REMAIN WITHIN DIMENSIONS		SEE CHART	SHEET NO. 2 OF 5		

12	11	10	9	8	7	6	5	4	3	2	74712
----	----	----	---	---	---	---	---	---	---	---	-------

MATERIAL NO.	TERMINAL LOADING BY POSITION	PACKAGING
74712-3001	2, 5, 8, 11, 14	PK-74712-210
74712-3002	8, 11, 14	PK-74712-210

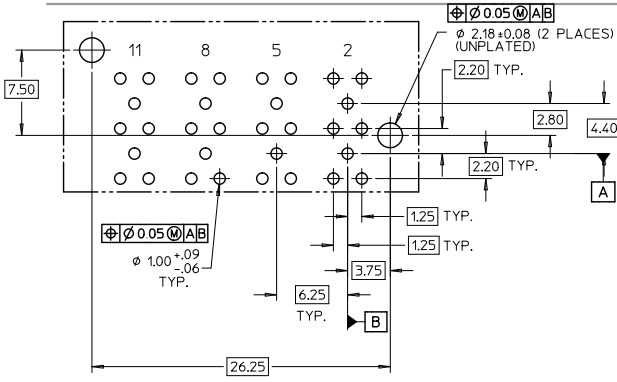
NOTE: REFER TO SHEET 1 FOR ALL DIMENSIONS. SECTION VIEW AND NOTES NOT SHOWN.



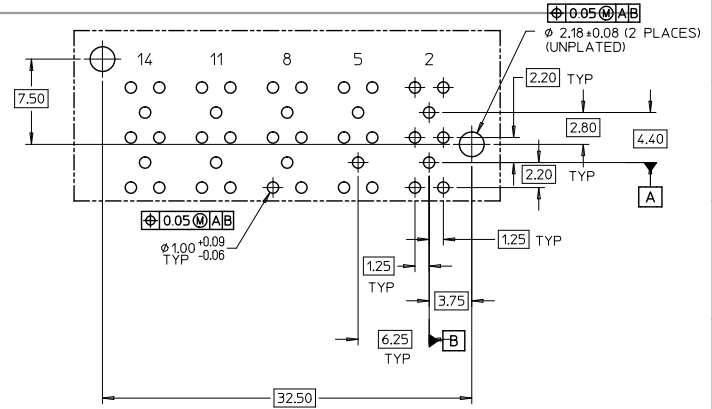
10 POSITION CONNECTOR SHOWN

SEE SHEET 1 EC NO. ICP2011-2007 DRAWN: MENDOZA 2011/01/10 CHKD: JBINGHAM 2011/07/10 APPR: JBINGHAM 2011/07/11 E2	QUALITY SYMBOLS	GENERAL TOLERANCES (UNLESS SPECIFIED)	SCALE 4:1	DESIGN UNITS METRIC	THIRD ANGLE PROJECTION	REVISE ON CAD ONLY
	-0 -0	4 PLACES ± --- ± --- 3 PLACES ± --- ± --- 2 PLACES ± 0.13 ± --- 1 PLACE ± 0.25 ± --- ANGULAR ± 2°	DIMENSION STYLE MM ONLY		TITLE SALES DRAWING FOR VERTICAL GANGED RF CONNECTOR, LONG TAILS	
		DRAFT WHERE APPLICABLE MUST REMAIN WITHIN DIMENSIONS	DRAWN BY SREED DATE 2006/06/06 CHECKED BY JBINGHAM DATE 2006/06/06 APPROVED BY JBINGHAM DATE 2009/11/23	MOLEX INCORPORATED		MATERIAL NO. SEE CHART DOCUMENT NO. SD-74712-003 SHEET NO. 3 OF 5
	REV	THIS DRAWING CONTAINS INFORMATION THAT IS PROPRIETARY TO MOLEX INCORPORATED AND SHOULD NOT BE USED WITHOUT WRITTEN PERMISSION				

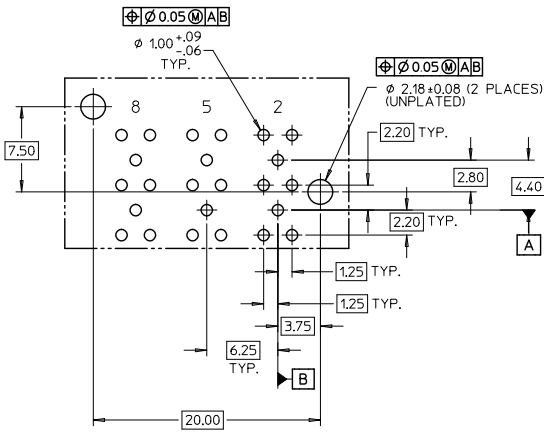
11	10	9	8	7	6	5	4	3	2	1
----	----	---	---	---	---	---	---	---	---	---



RECOMMENDED PCB LAYOUT FOR THE 8 POSITION CONNECTOR COMPONENT SIDE
MAX. BOARD THICKNESS: 4.50



RECOMMENDED PCB LAYOUT FOR THE 10 POSITION CONNECTOR COMPONENT SIDE
MAX. BOARD THICKNESS: 4.50

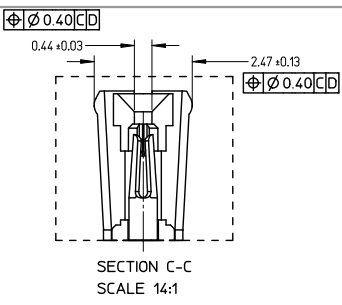
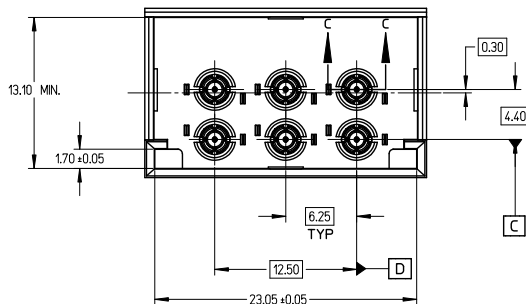


RECOMMENDED PCB LAYOUT FOR THE 6 POSITION CONNECTOR COMPONENT SIDE
MAX. BOARD THICKNESS: 4.50

NOTE: DEPENDING ON CONNECTOR PART NUMBER, ALL HOLES MAY NOT BE REQUIRED. REFER TO SHEETS 1-3 FOR LOADED TERMINAL POSITIONS. REFER TO TERMINAL POSITIONS SPECIFIED ON EACH PCB LAYOUT TO DETERMINE WHICH HOLES ARE NEEDED.

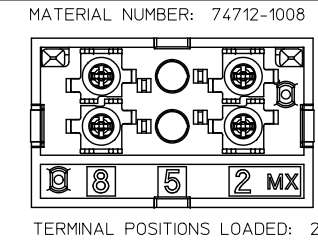
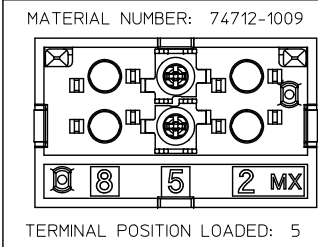
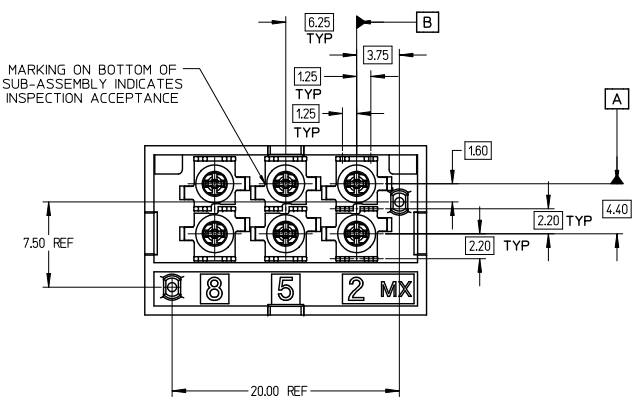
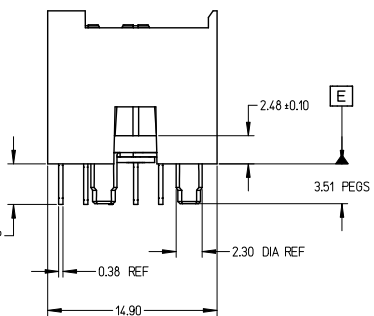
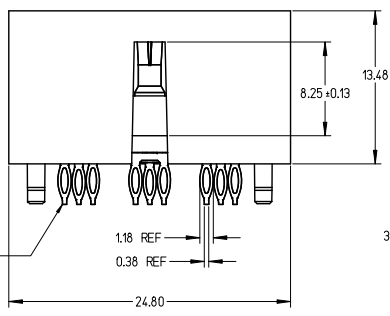
SEE SHEET 1 EC NO. IUP2011-2007 DRAWN: MENDOZA 2011/04/10 CHKD: JBINGHAM 2011/01/10 APPR: JBINGHAM 2011/07/11	QUALITY SYMBOLS ▽.0	GENERAL TOLERANCES (UNLESS SPECIFIED)		SCALE 4:1	DESIGN UNITS METRIC	THIRD ANGLE PROJECTION	REVISE ON CAD ONLY	
		mm	INCH	DIMENSION STYLE MM ONLY		TITLE SALES DRAWING FOR VERTICAL GANGED RF CONNECTOR, LONG TAILS		
		4 PLACES ± ---	± ---	DRAWN BY SREED	DATE 2006/06/06	Molex MOLEX INCORPORATED		
		3 PLACES ± ---	± ---	CHECKED BY JBINGHAM	DATE 2006/06/06	MATERIAL NO. DOCUMENT NO. SHEET NO. SEE CHARTS SD-74712-003 4 OF 5		
E2	▽.0	2 PLACES ± 0.13	± ---	APPROVED BY JBINGHAM	DATE 2009/11/23	THIS DRAWING CONTAINS INFORMATION THAT IS PROPRIETARY TO MOLEX INCORPORATED AND SHOULD NOT BE USED WITHOUT WRITTEN PERMISSION		
		1 PLACE ± 0.25	± ---					
		ANGULAR ± 2 °						
		DRAFT WHERE APPLICABLE MUST REMAIN WITHIN DIMENSIONS						

13 12 11 10 9 8 7 6 5 4 3 2 1



6 POSITION CONNECTOR			
MATERIAL NUMBER	POSITION OF LOADED TERMINAL(S)	OPTIONAL PACKAGING HEADER	PACKAGING SPECIFICATION
74712-1008	2, 8	NO	PK-74712-101
74712-1009	5	NO	

- NOTES:
- MATERIAL:
 - HOUSING: GLASS FILLED THERMO PLASTIC, 94V-0
 - INSULATOR: GLASS FILLED THERMO PLASTIC, 94V-0
 - TERMINALS AND GROUND: TIN BRASS
 - OUTER GROUND CONTACT: PHOSPHOR BRONZE
 - PLATING:
 - TERMINALS:
 - SELECTIVE 0.76 MICRONS MIN. GOLD IN CONTACT AREA
 - SELECTIVE 0.88 MICRONS MIN. TIN BOTH OVER
 - 1.27 MICRONS MIN. NICKEL UNDERPLATE
 - GROUNDS:
 - 0.88 MICRONS MIN. TIN OVERALL OVER
 - 1.27 MICRONS MIN. NICKEL UNDERPLATE
 - OUTER GROUND CONTACT:
 - 0.76 MICRONS MIN. GOLD OVERALL OVER
 - 1.27 MICRONS MIN. NICKEL UNDERPLATE
 - REFER TO PRODUCT SPEC.: PS-74854-001 FOR ELECTRICAL, MECHANICAL AND ENVIRONMENTAL REQUIREMENTS.
 - REFER TO PACKAGING SPEC STATED IN CHARTS FOR DETAILS OF THE PACKAGING REQUIREMENTS.
 - DATE CODE MARKING TO BE LOCATED ANYWHERE ON PLASTIC HOUSING. FIRST TWO DIGITS = WEEK NUMBER. LAST TWO DIGITS = YEAR.
 - THIS PART CONFORMS TO CLASS B REQUIREMENTS OF MOLEX COSMETIC SPECIFICATION PS-45499-002.



SEE SHEET 1 EC NO: UCP2011-2027 DRWN: JENDOZA 2011/01/10 CHKD: JBINGHAM 2011/07/10 APPR: JBINGHAM 2011/01/11	QUALITY SYMBOLS ▽=0 ▽=0	GENERAL TOLERANCES (UNLESS SPECIFIED)		DIMENSION STYLE		SCALE	DESIGN UNITS	THIRD ANGLE PROJECTION	
				MM ONLY		4:1	METRIC		
		4 PLACES ± --- ± ---		DRAWN BY		DATE		TITLE	
		3 PLACES ± --- ± ---		SREED		2006/06/06		SALES DRAWING FOR VERTICAL GANGED RF CONNECTOR, LONG TAILS	
2 PLACES ± 0.13 ± ---		CHECKED BY		DATE		MOLEX MOLEX INCORPORATED			
1 PLACE ± 0.25 ± ---		JBINGHAM		2006/06/06					
ANGULAR ± 2 °		APPROVED BY		DATE					
		JBINGHAM		2009/11/23					
DRAFT WHERE APPLICABLE MUST REMAIN WITHIN DIMENSIONS		MATERIAL NO.		DOCUMENT NO.		SHEET NO.			
		SEE CHARTS		SD-74712-003		5 OF 5			
		SIZE C		THIS DRAWING CONTAINS INFORMATION THAT IS PROPRIETARY TO MOLEX INCORPORATED AND SHOULD NOT BE USED WITHOUT WRITTEN PERMISSION					