

## Excellent Integrated System Limited

Stocking Distributor

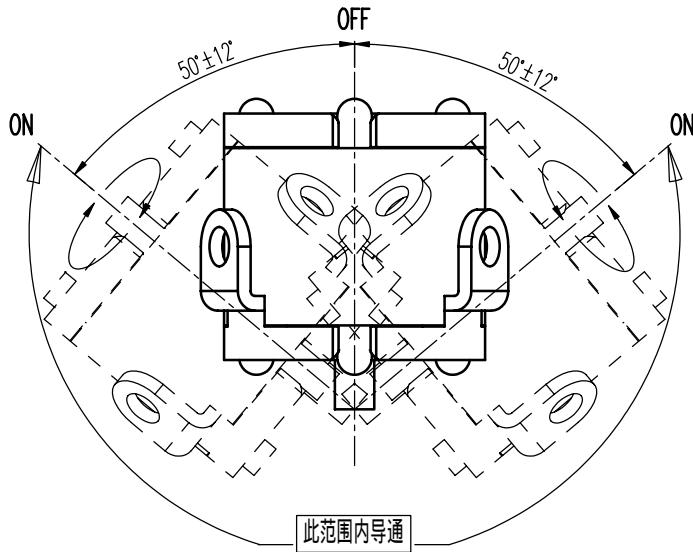
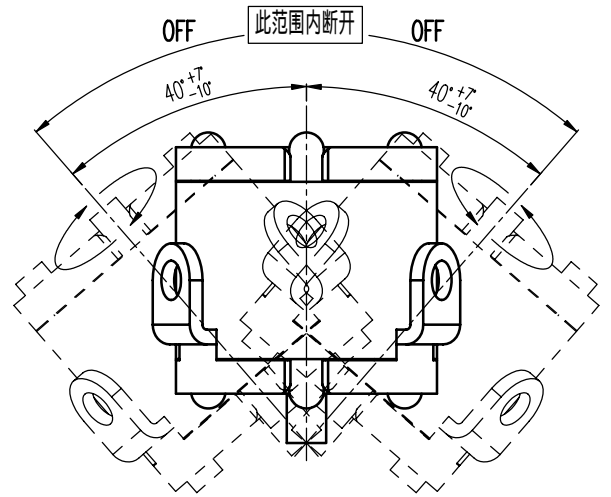
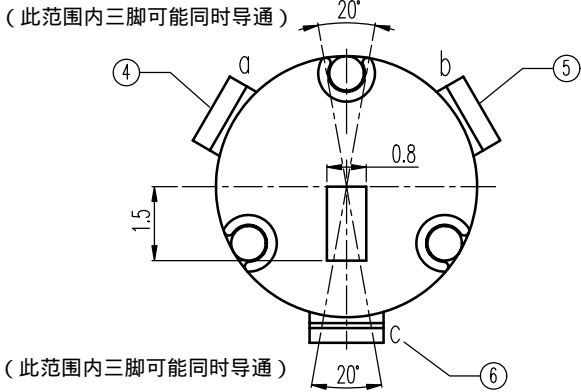
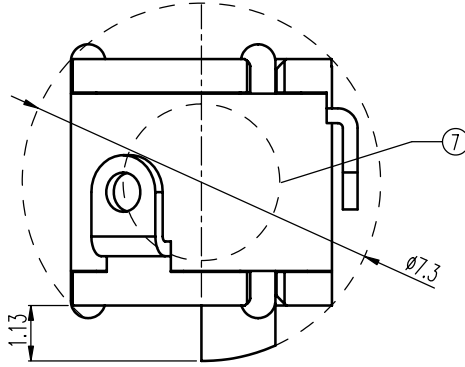
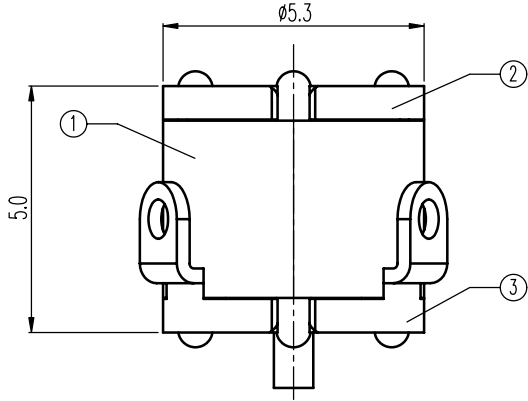
Click to view price, real time Inventory, Delivery & Lifecycle Information:

[C&K Components](#)

[RB-3R0232-50](#)

For any questions, you can email us directly:

[sales@integrated-circuit.com](mailto:sales@integrated-circuit.com)



电路示意图 CIRCUIT SCHEMATIC

规格 Specifications ①

额定负荷 Ratings	DC 3V 1mA
绝缘电阻 Insulation Resistance	DC 500V 60±5Sec. 10MΩ Min.
抗电强度 Dielectric Voltage	AC 500V 60±5Sec.
负荷寿命 Operating Life With Load	100,000次
专利申请号 Requisition of patent No	China: 200720118725.6

7	铜珠 BALL	BRASS	1	Au PLATED				
6	端子C TERMINAL C	C2680R	1	Au PLATED	A05	变更内容详见图中标示处 ①	王小东	2008-1-17
5	端子B TERMINAL B	C2680R	1	Au PLATED	A04	变更初始导通角度公差为50±12°,见标示 ③	王小东	2007/5/15
4	端子A TERMINAL A	C2680R	1	Au PLATED	A03	增加专利号内容,详见图中标示处 ①	王小东	2007/3/15
3	胶盖B COVER B	PA	1	BLACK C	A02	变更内容详见图中标示处 ①	王小东	07-01-26
2	胶盖A COVER A	PA	1	BLACK C	A01		王小东	07-01-23
1	胶壳 HOUSING	PA	1	BLACK C	标号 REV	内容 DESCRIPTION	签名 SIGN.	日期 DATE

序NO.	零件 PART	材料 MATERIAL	数量 QTY	备注 REMARKS	DWG NO. ITEM2793				
TOLERANCES UNLESS OTHERWISE SPEC.				TITLE	ROLLING BALL SENSOR ①		ITEM NO	RB-3R0232-50	
UNDER 1	± 0.10		DRAWN	王小东	2008-1-17	VERSION	A05	PAGE 1 OF 1	
1 - 10	± 0.30		REVIEWED	方勇	2008-1-18	SCALE		UNIT	mm
OVER 10	± 0.50		APPROVED	程先金	2008-1-18	PROJECTION			