

Excellent Integrated System Limited

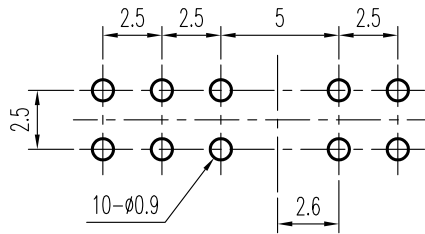
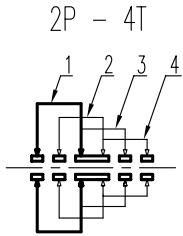
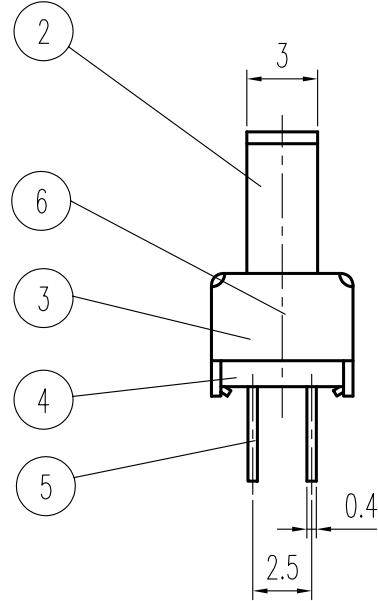
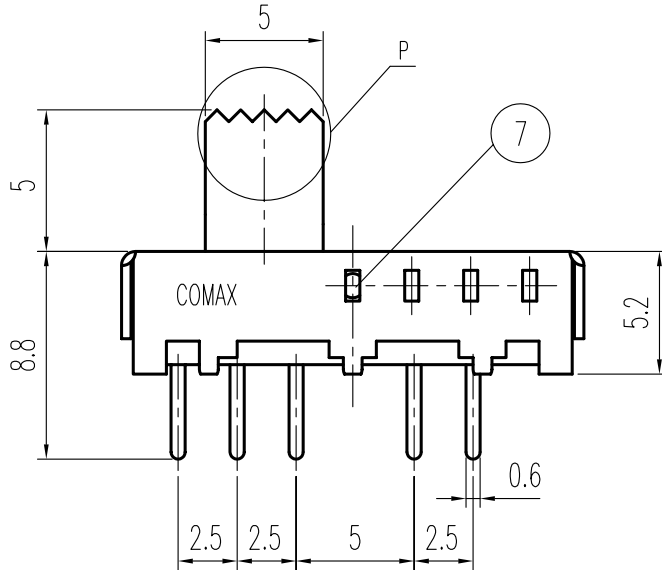
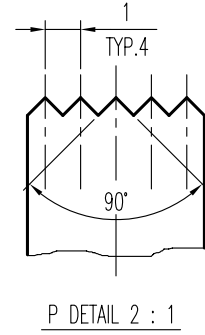
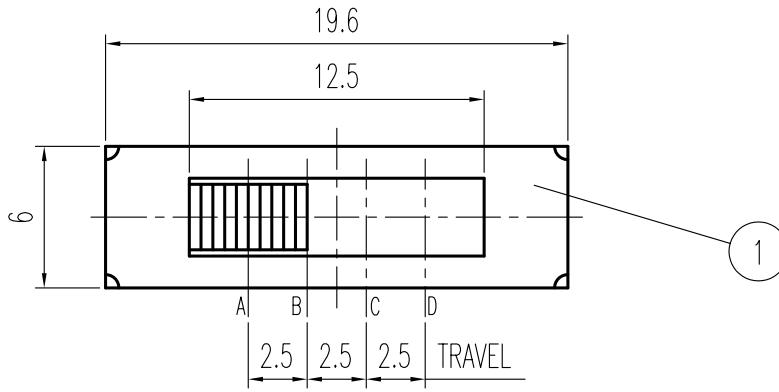
Stocking Distributor

Click to view price, real time Inventory, Delivery & Lifecycle Information:

[C&K Components](#)
[SS-24E06-TG 5 \(P\)](#)

For any questions, you can email us directly:

sales@integrated-circuit.com



规格 Specifications

额定负荷 Ratings	DC 30 V 0.3 A
初期接触电阻 Initial Contact Resistance	30 mΩ Max.
绝缘电阻 Insulation Resistance	DC 500 V 60 Sec. 100 MΩ Min.
抗电强度 Dielectric Voltage	AC 500 V (50~60HZ) 60 Sec.

操作力 Operating Force (gf)	A → B	B → C	C → D
	D → C	C → B	B → A
机械寿命 Operating Life Without Load	200±100	200±100	200±100

示意图 SCHEMATIC

安装孔 PIERCING PLAN

7	钢珠	STEEL BALL	SUS	2	NATURAL
6	弹簧	SPRING	SUS	1	NATURAL
5	端子	TERMINAL	C2680R	10	Ag PLATED
4	基板	TERMINAL BASE	PHENOL RESIN	1	YELLOW
3	接触片	CONTACT	C5210R	2	Ag CLAD
2	胶柄	KNOB	P O M	1	BLACK C
1	铁壳	FRAME	S P C C	1	Ni PLATED
序NO.	零件 PART	材料 MATERIAL	数量 QTY	备注 REMARKS	

标号 REV	内容 DESCRIPTION	签名 SIGN.	日期 DATE
DWG NO. ITEM2723			

TOLERANCES UNLESS OTHERWISE SPEC.		TITLE	SLIDE SWITCH		ITEM NO	SS-24E06-TG 5 (P)		
UNDER 1	± 0.10	DRAWN	刘红梅	06-07-20	VERSION	A01	PAGE 1	OF 1
1 - 10	± 0.30	REVIEWED	张念明	06-07-20	SCALE		UNIT	mm
OVER 10	± 0.50	APPROVED	林高全	06-07-21	PROJECTION			