

## Excellent Integrated System Limited

Stocking Distributor

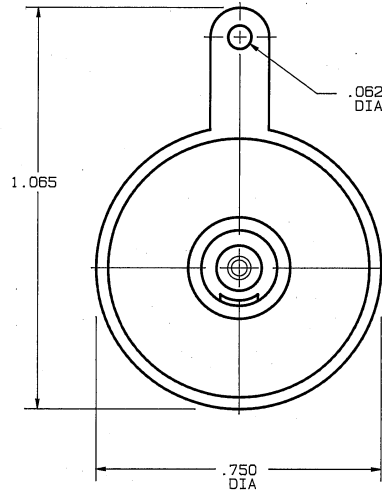
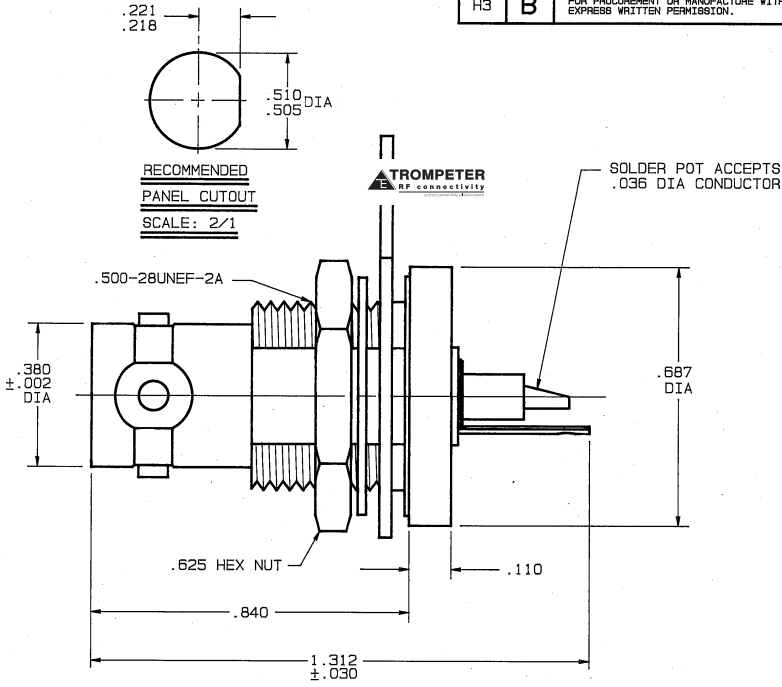
Click to view price, real time Inventory, Delivery & Lifecycle Information:

[Bel Fuse Inc.](#)  
[BJ76FL](#)

For any questions, you can email us directly:  
[sales@integrated-circuit.com](mailto:sales@integrated-circuit.com)

DISK #	DWG SIZE	DATA CONTAINED IN THIS DOCUMENT IS PROPRIETARY TO TROMPETER ELECTRONICS INC. AND SHALL NOT BE DISCLOSED, COPIED OR USED FOR PROCUREMENT OR MANUFACTURE WITHOUT EXPRESS WRITTEN PERMISSION.
H3	B	

REVISIONS			3-0130	SH 1	
REV	EO	DESCRIPTION	DWN	APPROVED	DATE
C	8850	L/M.ITEM 1 WAS 8-2611 & REDWN	AAH	LS; BM; AH	6-4-90



INCH	MM
.002	0.05
.005	0.13
.030	0.76
.036	0.91
.062	1.57
.110	2.79
.208	5.28
.218	5.54
.221	5.61
.240	6.10
.380	9.65
.505	12.83
.510	12.95
.625	15.88
.687	17.45
.750	19.05
.840	21.34
1.065	27.05
1.312	33.32

4. MAX PANEL THK .240 W/O SOLDER LUG  
.208 THK W/ SOLDER LUG
3. CONCENTRIC TWINAX/TRIAX TRB  
REAR MOUNT SOLDER POT  
BULKHEAD RECEPTACLE
2. FINISH: TFS-1A (NICKEL)
1. ALL DIM ARE IN INCHES

QTY	DESCRIPTION	PART NUMBER	ITEM		
TOL UNLESS SPECIFIED			BJ76FL		
.xx ±					
.xxx ± .005					
.xxx ±					
ANGLE ±					
DWN	AAH 5-14-90	MATERIAL	CODE IDENT	DRAWING NO.	REV
CHK	LS 5/31/90		14949	3-0130	C
ENGR	BM 6/1/90				
APPR	AH 6-4-90	SCALE 4/1	DATE 12/15/87	SHEET 1 OF 2	