

Excellent Integrated System Limited

Stocking Distributor

Click to view price, real time Inventory, Delivery & Lifecycle Information:

[Bel Fuse Inc.](#)
[BJ77](#)

For any questions, you can email us directly:
sales@integrated-circuit.com

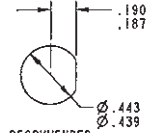
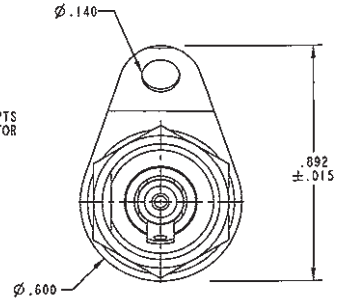
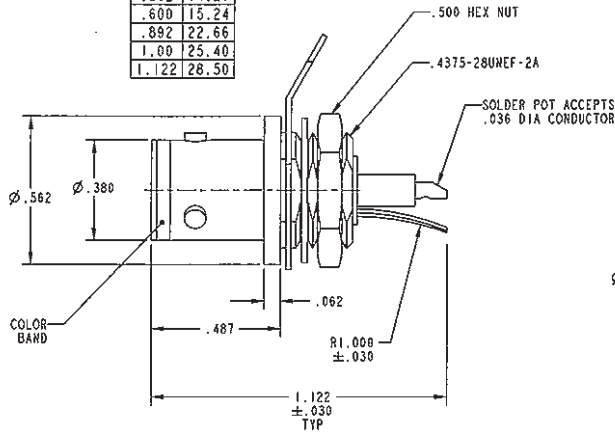
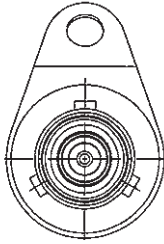
RED INDICATES ORIGINAL

KEYING LETTER	A°	B°	C°	COLOR BAND
NONE	120°	120°	120°	NONE
S	135°	135°	90°	WHITE
T	100°	150°	110°	RED
U	120°	130°	110°	ORANGE
V	115°	130°	115°	YELLOW
W	125°	110°	125°	GREEN
X	130°	100°	130°	BLUE
Y	110°	140°	110°	VIOLET
Z	100°	160°	100°	GRAY

INCH	MM
.005	0.13
.015	0.38
.030	0.76
.036	0.91
.062	1.57
.125	3.18
.140	3.56
.187	4.75
.190	4.83
.380	9.65
.439	11.15
.443	11.25
.487	12.37
.500	12.70
.562	14.27
.600	15.24
.892	22.66
1.00	25.40
1.122	28.50

DATA CONTAINED IN THIS DOCUMENT IS PROPRIETARY TO TROMPETER ELECTRONICS, INC. AND SHALL NOT BE DISCLOSED, COPIED OR USED FOR PROCUREMENT OF MANUFACTURE WITHOUT EXPRESS WRITTEN PERMISSION.

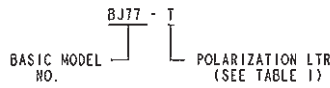
REVISIONS				3-0001	SH 1
REV	ECO NO.	DESCRIPTION	DWG	APPROVED	DATE
W	1132B	SH 2 "D" FLAT PIN BIRTH WAS .200" B/W 7/8 8-2149-3; WAS 8-2149-2; SEE ECO	SAC	<i>BW, FR</i>	12/21/95



RECOMMENDED PANEL CUTOUT SCALE 2:000

- MAX PANEL THK .125
- SOCKET CONTACT CONCENTRIC TWINAX/ TRIAX TRB SOLDER POT BULKHEAD MOUNT RECEPTACLE
- FINISH: TFS-1A(NICKEL)
- ALL DIM ARE IN INCHES

5. EXAMPLE OF COMPLETE MODEL NO:



QTY	DESCRIPTION	PART NUMBER	ITEM
TOL UNLESS SPECIFIED	TROMPETER RF connectivity	BJ77/S/T/U/V/ W/X/Y/Z	
DWG	SAC 12-6-95	MATERIAL	CODE IDENT 14949
CHK	<i>BW 12-20-95</i>		DRAWING NO. 3-0001
ENGR			REV W
SEE SH 3			
NEXT ASSY	APPR <i>FR 12/21/95</i>	SCALE 4/1	DATE 11-12-88 SHEET 1C