

## Excellent Integrated System Limited

Stocking Distributor

Click to view price, real time Inventory, Delivery & Lifecycle Information:

[Bel Fuse Inc.](#)  
[BN73](#)

For any questions, you can email us directly:  
[sales@integrated-circuit.com](mailto:sales@integrated-circuit.com)

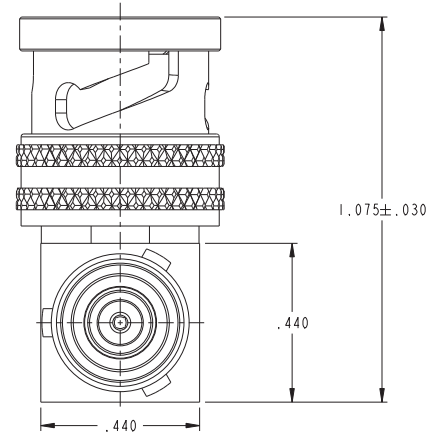
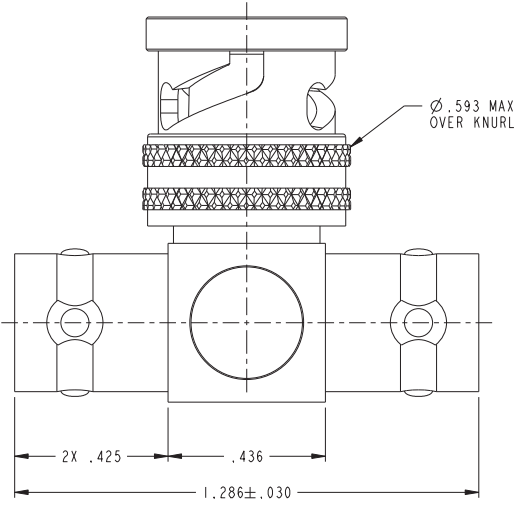
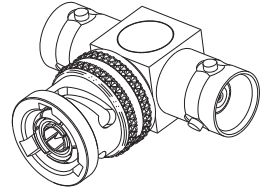
2

3

4

DASH NUMBER	MODEL NUMBER	CONNECTOR TYPE
-1	BN73	3-LUG
-2	BN73TL	2-LUG
-3	BN73FL	4-LUG
-4	BN373	THREADED

ZONE	REV	ECO	DESCRIPTION	APPROVER	DATE
L	16615			L.M.	7/25/08
M	53698			T. KOHLER	9/30/11



- 1 SHOWN

2. FINISH: NICKEL

1. CONCENTRIC TWINAX/TRIAX 2-LUG, 3-LUG, 4-LUG, & THREADED BAYONET TEE

	MODEL NO.	CAGE CODE 14949			
	<small>This PROPRIETARY Document is property of Cinch Connectivity Solutions. It is confidential and shall be controlled and handled with the clear understanding that it is not to be traced or copied without permission and is returnable upon demand.</small>	<small>UNLESS OTHERWISE SPECIFIED</small> UNITS: INCH .XX ± .02 .XXX ± .010 .XXXX ± .005 ANGLE ± 1° 00' CRITICAL	DRAWN BY C. WALLACE DATE 10/3/11	TITLE BN73, BN73TL, BN73FL, BN373	DRAWING NO. 3-0004
	APPROVED BY T. KOHLER DATE 10/4/11	SIZE C	DO NOT SCALE DRAWING	SCALE 5:1	SHEET 1 OF 2

1

2

3

4