

Excellent Integrated System Limited

Stocking Distributor

Click to view price, real time Inventory, Delivery & Lifecycle Information:

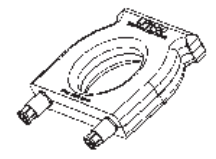
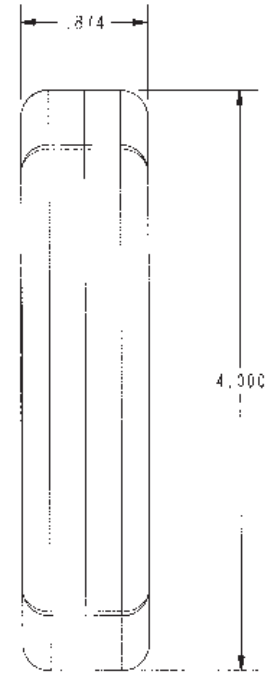
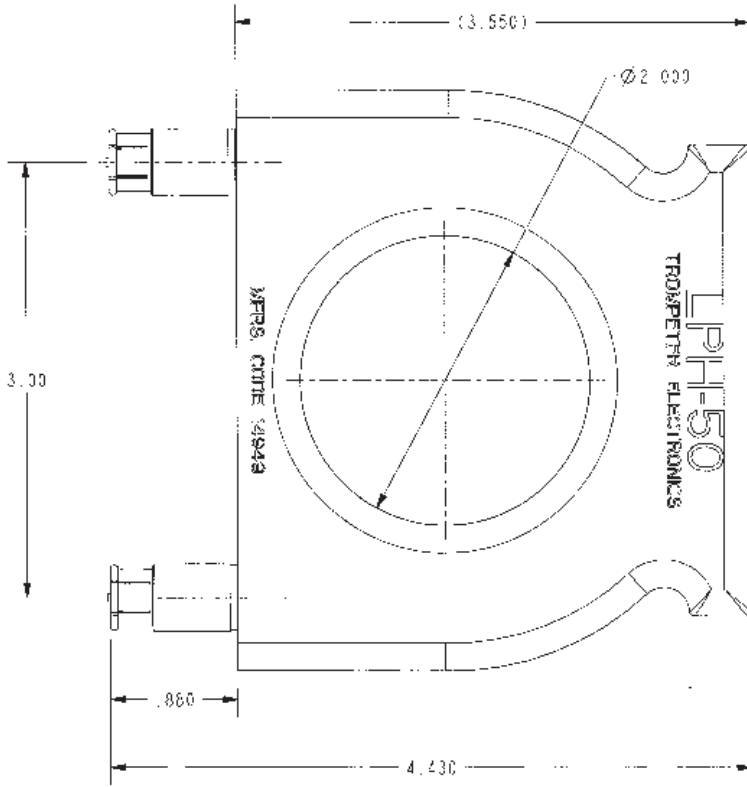
[Bel Fuse Inc.](#)
[LPH-50](#)

For any questions, you can email us directly:
sales@integrated-circuit.com

| DASH NO | MFG VAL. LF | CO. OR CODE | MOD NO |
|---------|-------------|-------------|--------|
| -1 | 50 OFMS | GREEN | LPH-50 |

DATA CONTAINED IN THIS DOCUMENT IS PROPRIETARY TO TROMPETER ELECTRONICS AND SHALL NOT BE DISCLOSED, COPIED OR USED FOR PROGRAMS OR MANUFACTURE WITHOUT EXPRESS WRITTEN PERMISSION.

| REVISIONS | | DATE | APPROVED |
|-----------|-----------------------|---------|-------------|
| REV | DESCRIPTIONS | | |
| 0 | REVISED PER ECO 14949 | 7/15/08 | [Signature] |



SCALE 1/4

RED INDICATES ORIGINAL

1. FINISH: PLUGS, TFS-1A (NICKEL)
 HANDLE, SEE COLOR CODE IN CHART

NOTES: UNLESS OTHERWISE SPECIFIED.

TROMPETER DRAWING PER MIL-STD-100 DIMENSIONS ARE IN INCHES AND INCLUDE FINISH THICKNESS UNLESS OTHERWISE SPECIFIED.



DESIGNED BY: N. JOHNSON 3-26-08
 CHECKED BY: JIM 6-23-08

SIZE: LPH

DATE: 7/15/08

SIZE: A: 14949
 OPERATING NO.: -0422

NEXT ASSY: 1-0422

SCALE: 1/4
 DATE: 8-2-05
 DWT: 10