

Excellent Integrated System Limited

Stocking Distributor

Click to view price, real time Inventory, Delivery & Lifecycle Information:

[Bel Fuse Inc.](#)
[UCBJR220](#)

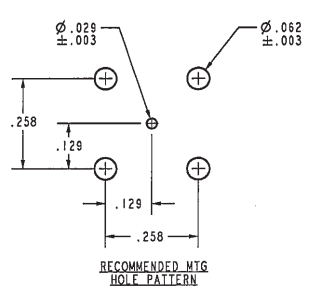
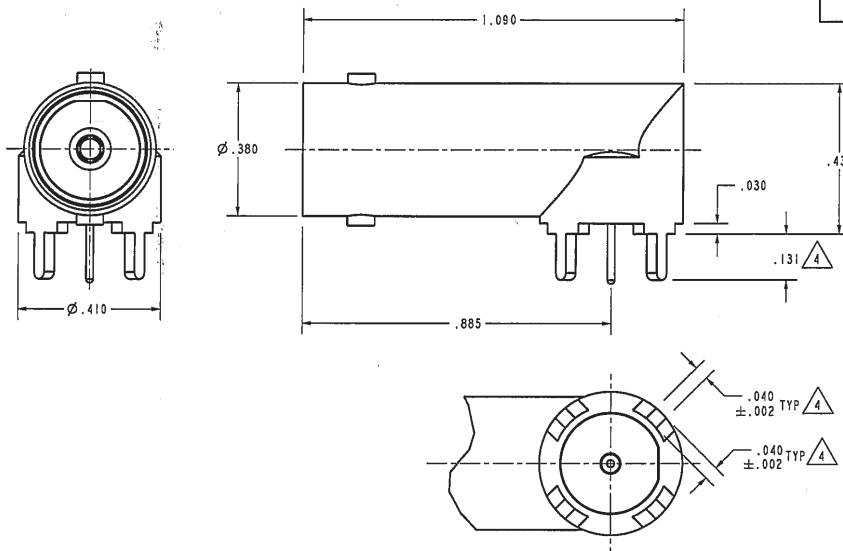
For any questions, you can email us directly:

sales@integrated-circuit.com

RED INDICATES ORIGINAL

DATA CONTAINED IN THIS DOCUMENT IS PROPRIETARY TO TROMPETER ELECTRONICS INC. AND SHALL NOT BE DISCLOSED, COPIED OR USED FOR PROCUREMENT OR MANUFACTURE WITHOUT EXPRESS WRITTEN PERMISSION

REVISIONS			1-0518	SH 1	
REV	ECO NO.	DESCRIPTION	DWN	APPROVED	DATE
A	10700	ϕ .410 WAS ϕ .414; .040 WAS .050 & .047; .258 WAS .260; ϕ .129 WAS ϕ .130; ϕ .029 WAS ϕ .046; ϕ .062 WAS ϕ .083	AAH	Em; <i>[Signature]</i>	4/22/94



\triangle DIMENSIONS INDICATED ARE BEFORE TINNING OF BODY LEGS WITH .0015 MAX THK, SN63 PER QQ-S-571 OR EQUIV TO WITHIN .060 OF SHOULDER

- FINISH: TFS-1A (NICKEL)
- 75 Ω CIRCUIT BOARD MOUNTED RIGHT ANGLE BNC RECEPTACLE
- ALL DIM ARE IN INCHES

QTY	DESCRIPTION		PART NUMBER	ITEM
TOL UNLESS SPECIFIED			UCBJR220	
.XX \pm				
.XXX \pm				
.XXXX \pm				
ANGLE \pm				
DWN	AAH	4-20-94	MATERIAL	CODE IDENT
CHK	<i>BM</i>	4-22-94	-----	14949
ENGR	<i>KJ</i>	4-22-94		
NEXT ASSY	APPR	<i>[Signature]</i>	SCALE 4/1	DATE 4-15-94
				SHEET 1 OF 2