

Excellent Integrated System Limited

Stocking Distributor

Click to view price, real time Inventory, Delivery & Lifecycle Information:

[Honeywell Sensing and Productivity Solutions
V3-1078](#)

For any questions, you can email us directly:

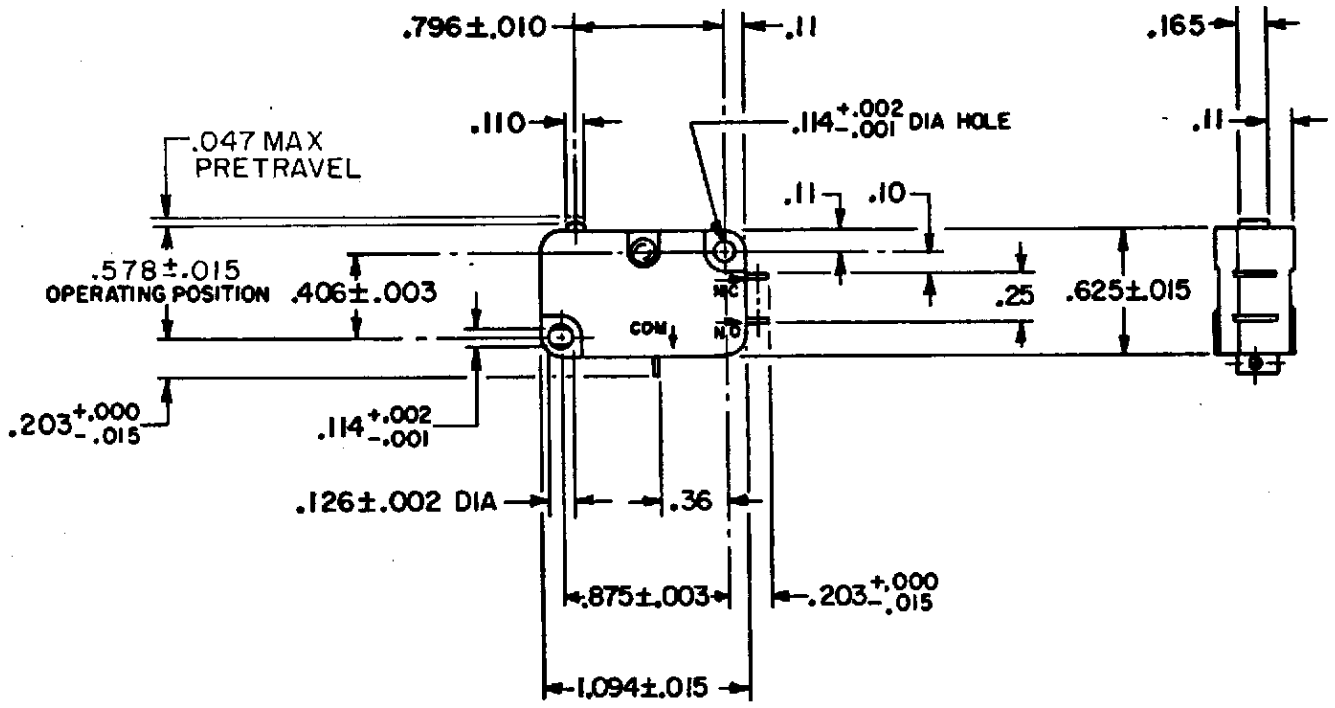
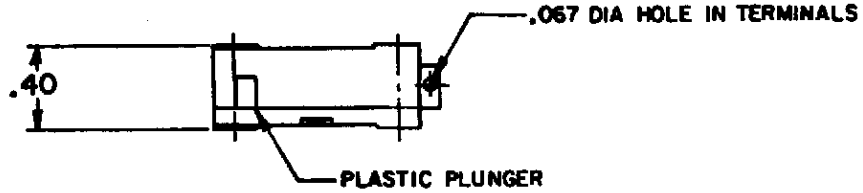
sales@integrated-circuit.com

MICRO SWITCH
 FREEPORT ILLINOIS, U.S.A
 A DIVISION OF HONEYWELL
 FED. MFG. CODE 91929

SWITCH - BASIC

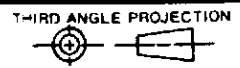
CATALOG LISTING
V3-1078
CK-L7800

V3-1078
 PAGE 1 OF 1
 M
 DRAWING NUMBER
 7
 ISSUE
 REVISIONS
 A PR10089 TSK 13 APR 81
 B CO 59921
 CMA 29 SEPT 88
 C CO76103
 5 OCT 93
 D CO 77116
 DCS 18 APR 94
 E CO-93311
 TSM 15 OCT 98
 D 0005782
 RJ 04 JUN 04
 FORMTEK
 DRAWN
 TSK 13 APR 81 CHECKED BY AK
 CHECKED BY AK
 RELEASE NO. PR 10089
 REPLACES



- NOTES
- 1 - TERMINALS ARE PLATED FOR SOLDERING
 - 2 - IN INSPECTION, DO NOT BURN OUT - GOLD CONTACTS
 - 3 - IN INSPECTION, DO NOT EXCEED 10 VDC, .1A RESISTIVE LOAD
 - 4 - INSPECT SWITCH RESISTANCE PER CONTROL PLAN

THIS DRAWING COVERS A PROPRIETARY ITEM AND IS THE PROPERTY OF MICRO SWITCH, A DIVISION OF HONEYWELL. THIS DRAWING IS NOT TO BE COPIED OR USED WITHOUT THE APPROVAL OF MICRO SWITCH.



CHARACTERISTICS	ELECTRICAL DATA	SCALE FULL																														
OPERATING FORCE - - - - - 6-14 OZ	CONTACT ARRANGEMENT S P D T	DO NOT SCALE PRINT																														
RELEASE TRAVEL - - - - - .007 MIN	L22 1A-125 VAC 	TOLERANCES APPLY TO DESIGN UNITS. CONVERSIONS ARE ONLY FOR REFERENCE. UNLESS NOTED, TOLERANCES ARE ±																														
RELEASE FORCE - - - - - 4 OZ MIN		<table border="1"> <thead> <tr> <th></th> <th>DRG.</th> <th>TOL.</th> <th>DRG.</th> <th>TOL.</th> </tr> <tr> <th></th> <th>mm</th> <th>mm/in</th> <th>in</th> <th>mm/in</th> </tr> </thead> <tbody> <tr> <td>NO PLACES</td> <td>F</td> <td>1/.04</td> <td>F, Z</td> <td>0.04/00</td> </tr> <tr> <td>ONE PLACE</td> <td>F, Z</td> <td>0.4/.018</td> <td>F, Z, X</td> <td>0.04/.018</td> </tr> <tr> <td>TWO PLACES</td> <td>F, Z, X</td> <td>0.16/.008</td> <td>F, Z, X</td> <td>0.04/.018</td> </tr> <tr> <td>THREE PLACES</td> <td>F, Z, X</td> <td></td> <td>F, Z, X</td> <td>0.13/.008</td> </tr> </tbody> </table>		DRG.	TOL.	DRG.	TOL.		mm	mm/in	in	mm/in	NO PLACES	F	1/.04	F, Z	0.04/00	ONE PLACE	F, Z	0.4/.018	F, Z, X	0.04/.018	TWO PLACES	F, Z, X	0.16/.008	F, Z, X	0.04/.018	THREE PLACES	F, Z, X		F, Z, X	0.13/.008
		DRG.	TOL.	DRG.	TOL.																											
		mm	mm/in	in	mm/in																											
NO PLACES		F	1/.04	F, Z	0.04/00																											
ONE PLACE	F, Z	0.4/.018	F, Z, X	0.04/.018																												
TWO PLACES	F, Z, X	0.16/.008	F, Z, X	0.04/.018																												
THREE PLACES	F, Z, X		F, Z, X	0.13/.008																												
DIFFERENTIAL TRAVEL - - - .006 - .016	DESIGN UNITS <input type="checkbox"/> METRIC <input checked="" type="checkbox"/> US CUSTOMARY																															
OVERTRAVEL .040 MIN	WEIGHT .015 LB																															
FREE POSITION - - - - - .625 MAX																																