

Excellent Integrated System Limited

Stocking Distributor

Click to view price, real time Inventory, Delivery & Lifecycle Information:

[Honeywell Sensing and Productivity Solutions
V3-355](#)

For any questions, you can email us directly:

sales@integrated-circuit.com

MICRO SWITCH

FREEMONT ILLINOIS, U.S.A
 A DIVISION OF HONEYWELL
 FED. MFG. CODE 91929

SWITCH-BASIC

CATALOG LISTING

V3-355

CK-D3400

V3-355

PAGE 1 OF 1

REPLACES X64169-V3

RELEASE NO. PR-5787

M

DRAWING NUMBER

7

ISSUE

3

CHECK

REVISIONS

A	CO39182	CEB	10 FEB 78
B	CO 59921	SMA	29 SEPT 88
C	CO 73764	DHD	30 NOV 92
D	CO - 74087	JWB	17 FEB 93
E	CO 77116	DCS	31 MAR 94
F	CO-93311	TSM	15 OCT 98

CHECK

CHECK

CHECK

CHECK

CHECK

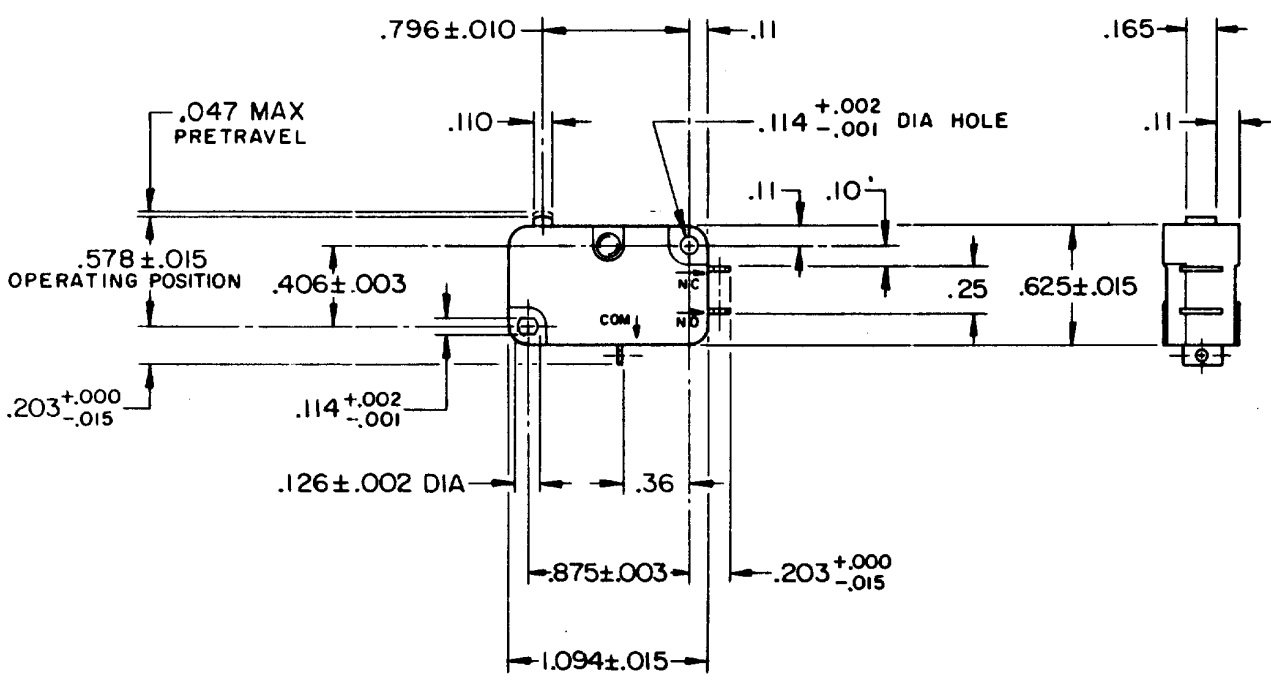
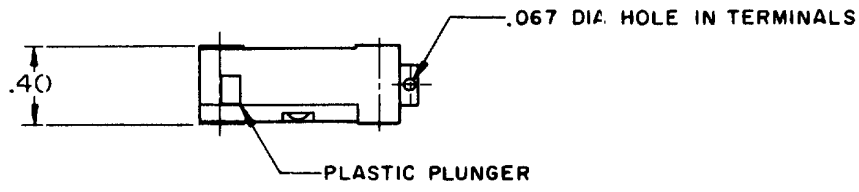
CHECK

CHECK

CHECK

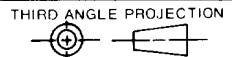
CHECK

CHECK



- NOTES
- 1 - TERMINALS ARE PLATED FOR SOLDERING
 - 2 - IN INSPECTION, DO NOT BURN OUT - GOLD CONTACTS
 - 3 - IN INSPECTION, DO NOT EXCEED 10 VDC, .1A RESISTIVE LOAD

THIS DRAWING COVERS A PROPRIETARY ITEM AND IS THE PROPERTY OF MICRO SWITCH, A DIVISION OF HONEYWELL. THIS DRAWING IS NOT TO BE COPIED OR USED WITHOUT THE APPROVAL OF MICRO SWITCH.



CHARACTERISTICS
OPERATING FORCE ----- 8 OZ MAX
RELEASE FORCE ----- 2 OZ MIN
DIFFERENTIAL TRAVEL ----- .006-.016
OVERTRAVEL ----- .040 MIN
FREE POSITION ----- .625 MAX
RELEASE TRAVEL ----- .007 MIN

ELECTRICAL DATA
CONTACT ARRANGEMENT S P D T
L156 11A-1/3HP-125, 250, 277VAC 1/2A-125VDC; 1/4A-250VDC 4A-125VAC "L"

SCALE FULL																								
DO NOT SCALE PRINT																								
TOLERANCES APPLY TO DESIGN UNITS. CONVERSIONS ARE ONLY FOR REFERENCE. UNLESS NOTED, TOLERANCES ARE ±																								
<table border="1"> <thead> <tr> <th>DIM.</th> <th>TOL.</th> <th>DIM.</th> <th>TOL.</th> </tr> <tr> <th>mm</th> <th>mm/in</th> <th>in</th> <th>mm/in</th> </tr> </thead> <tbody> <tr> <td>NO PLACES</td> <td>X</td> <td>1/04</td> <td></td> </tr> <tr> <td>ONE PLACE</td> <td>X,X</td> <td>0.4/.016</td> <td>X,X 0.8/.03</td> </tr> <tr> <td>TWO PLACES</td> <td>X,XX</td> <td>0.15/.006</td> <td>X,XX 0.38/.015</td> </tr> <tr> <td>THREE PLACES</td> <td>X,XXX</td> <td></td> <td>X,XXX 0.13/.005</td> </tr> </tbody> </table>	DIM.	TOL.	DIM.	TOL.	mm	mm/in	in	mm/in	NO PLACES	X	1/04		ONE PLACE	X,X	0.4/.016	X,X 0.8/.03	TWO PLACES	X,XX	0.15/.006	X,XX 0.38/.015	THREE PLACES	X,XXX		X,XXX 0.13/.005
DIM.	TOL.	DIM.	TOL.																					
mm	mm/in	in	mm/in																					
NO PLACES	X	1/04																						
ONE PLACE	X,X	0.4/.016	X,X 0.8/.03																					
TWO PLACES	X,XX	0.15/.006	X,XX 0.38/.015																					
THREE PLACES	X,XXX		X,XXX 0.13/.005																					
DESIGN UNITS <input type="checkbox"/> SI METRIC <input checked="" type="checkbox"/> US CUSTOMARY																								
WEIGHT .016 LB																								

FORMTEK

DRAWN

J A L 2 APR 76