

Excellent Integrated System Limited

Stocking Distributor

Click to view price, real time Inventory, Delivery & Lifecycle Information:

[Honeywell Sensing and Productivity Solutions
V3-82](#)

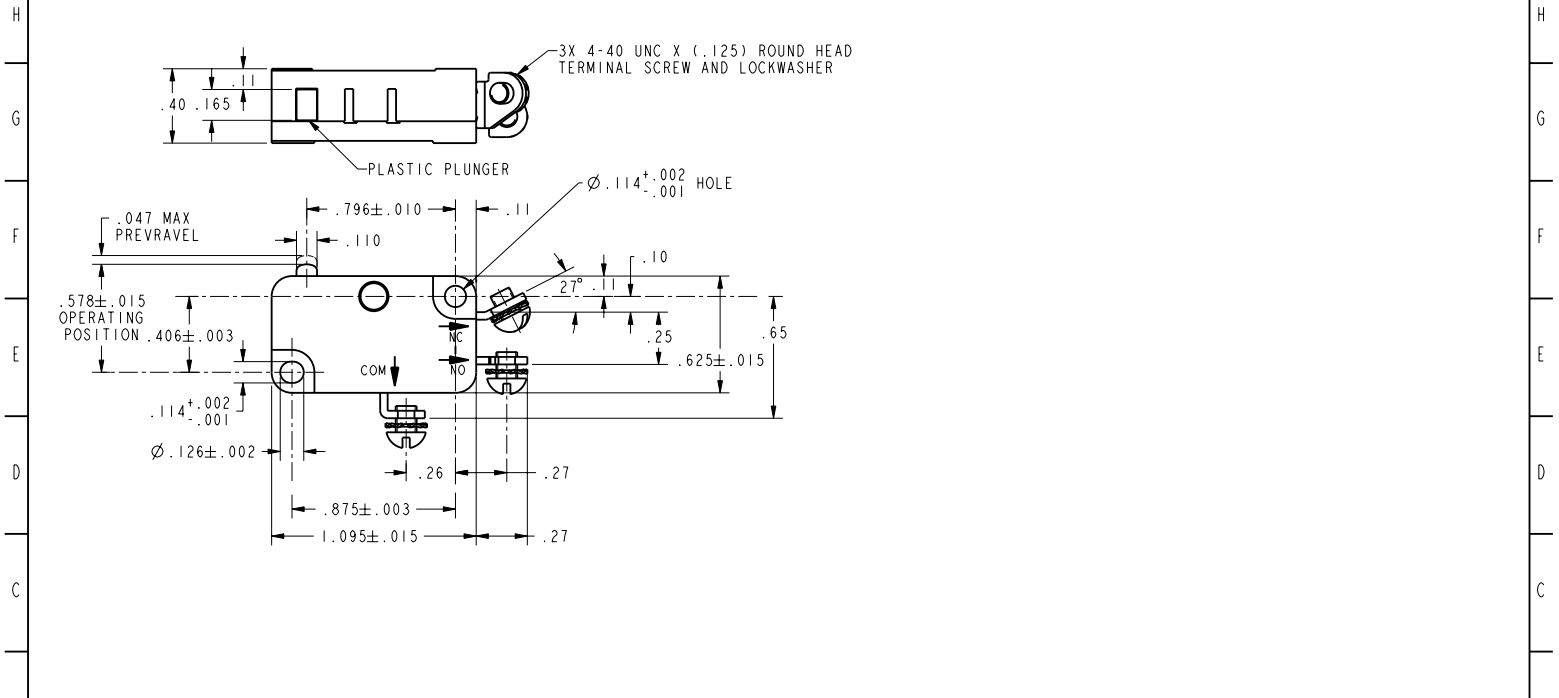
For any questions, you can email us directly:

sales@integrated-circuit.com

FO-50360-L

CK-A8200

REV	DOCUMENT	CHANGED BY	CHECK
16	206664	TSM 16OCT02	SAV



CHARACTERISTICS	ELECTRICAL DATA	UNLESS OTHERWISE SPECIFIED TOLERANCES ARE:	US INCH CUSTOMARY	SI METRIC	DRAWN	TSM	16OCT02	Honeywell
OPERATING FORCE ----- 6-14 OZ	CONTACT ARRANGEMENT S P D T	NO PLACE .X ± .040 ± .1	<input checked="" type="checkbox"/>	<input type="checkbox"/>	CHECK	SAV	16OCT02	
RELEASE FORCE ----- 4 OZ MIN	L83 15.1A 1/2HP 125, 250 VAC 1/2A 125 VDC, 1/4A 250 VDC 5A 125 VAC "L"	ONE PLACE .X ± .030 ± 0.4			THIS DRAWING COVERS A PROPRIETARY ITEM AND IS THE PROPERTY OF HONEYWELL. THIS DRAWING IS NOT TO BE COPIED OR USED WITHOUT THE PERMISSION OF HONEYWELL.			SWITCH, BASIC
DIFFERENTIAL TRAVEL ----- .006-.016		TWO PLACE .XX ± .015 ± 0.15			DIMENSIONS ARE TO BE MET BEFORE PROTECTIVE COATINGS ARE APPLIED			SIZE DWG TYPE DRAWING NAME
OVERTRAVEL ----- .040 MIN		THREE PLACE .XXX ± .005 ±			PTC 2D ASME Y14.5M-1994			B I V3-82
FREE POSITION ----- .625 MAX		ANGLES ± 5° ±			SCALE NONE WEIGHT .017 LB SHEET 1 OF 1			REV 16
RELEASE TRAVEL ----- .007 MIN		RAW MATERIAL-COMMERCIAL STANDARD						