

## Excellent Integrated System Limited

Stocking Distributor

Click to view price, real time Inventory, Delivery & Lifecycle Information:

[Honeywell Sensing and Productivity Solutions  
V3L-1078](#)

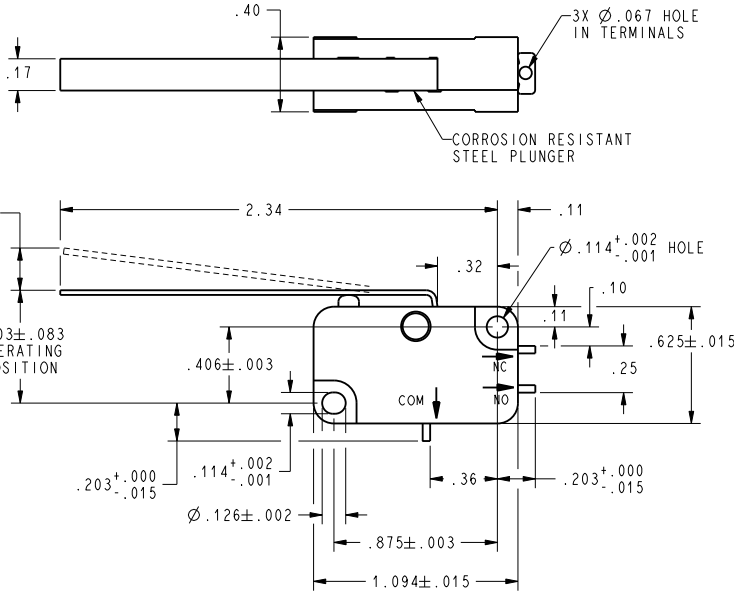
For any questions, you can email us directly:

[sales@integrated-circuit.com](mailto:sales@integrated-circuit.com)

FO-50360-L

PRODUCT CODE  
**CQ-L9904**

REV	DOCUMENT	CHANGED BY	CHECK
4	200127	SAV 17MAR00	JAF
5	0005782	RJ 04JUN04	AK



- NOTES
- 1 - TERMINALS ARE PLATED FOR SOLDERING
  - 2 - IN INSPECTION, DO NOT BURN OUT - GOLD CONTACTS
  - 3 - IN INSPECTION, DO NOT EXCEED 10 VDC, .1A RESISTIVE LOAD
  - 4 - INSPECT SWITCH RESISTANCE PER CONTROL PLAN

CHARACTERISTICS	ELECTRICAL DATA
OPERATING FORCE ----- 5 OZ MAX	L22 1A 125 VAC 
RELEASE FORCE ----- 1/2 OZ MIN	
DIFFERENTIAL TRAVEL ----- .086 MAX	
OVERTRAVEL ----- .092 MIN	
RELEASE TRAVEL ----- .021 MIN	

UNLESS OTHERWISE SPECIFIED TOLERANCES ARE:	US INCH CUSTOMARY	SI METRIC
NO PLACE	±.040	±1
ONE PLACE	±.030	±0.4
TWO PLACE	±.015	±0.15
THREE PLACE	±.005	±
ANGLES	±	±
RAW MATERIAL - COMMERCIAL STANDARD	±	±

DRAWN	SAV	17MAR00
CHECK	JAF	17MAR00
THIS DRAWING COVERS A PROPRIETARY ITEM AND IS THE PROPERTY OF HONEYWELL. THIS DRAWING IS NOT TO BE COPIED OR USED WITHOUT THE PERMISSION OF HONEYWELL.		
DIMENSIONS ARE TO BE MET BEFORE PROTECTIVE COATINGS ARE APPLIED		
PTC 2D	ASME Y14.5M-1994	

<b>Honeywell</b>		
TITLE <b>SWITCH - BASIC -</b>		
SIZE	DWG TYPE	DRAWING NAME
<b>B</b>	<b>M</b>	<b>V3L-1078</b>
		REV <b>5</b>

SCALE 2 : 1	WEIGHT .015 LB	SHEET 1 OF 1
-------------	----------------	--------------