

## Excellent Integrated System Limited

Stocking Distributor

Click to view price, real time Inventory, Delivery & Lifecycle Information:

[Honeywell Sensing and Productivity Solutions  
V3L-139](#)

For any questions, you can email us directly:

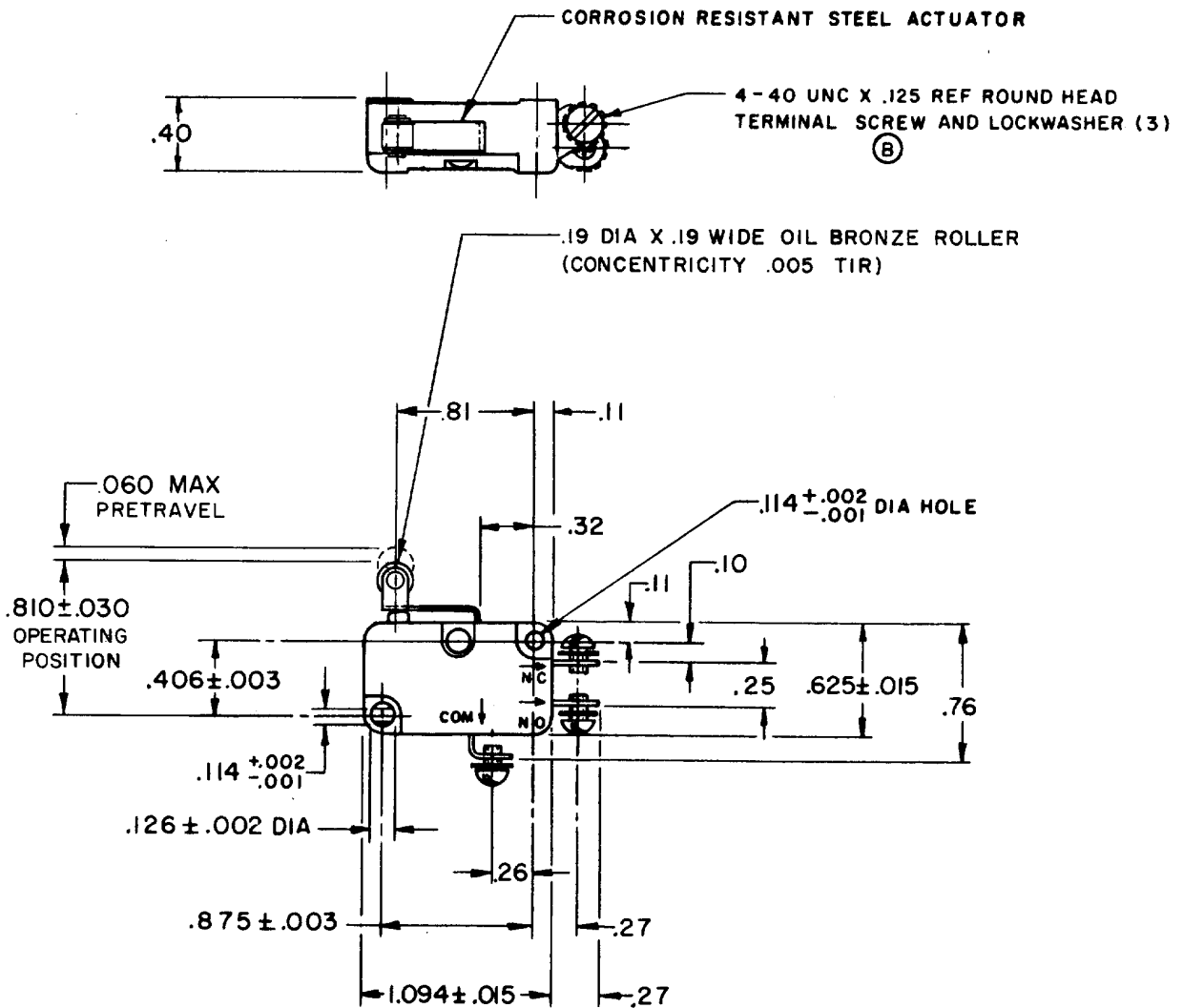
[sales@integrated-circuit.com](mailto:sales@integrated-circuit.com)

V3L-139  
 M  
 DRAWING NUMBER  
 9  
 ISSUE  
 5  
 REVISIONS  
 A SR12775  
 D W C  
 10 MAR 67  
 B CO24941  
 M B S  
 4 DEC 68  
 C CO26075  
 M B S  
 27 AUG 69  
 D CO31748  
 L S D  
 3 APR 73  
 E CO-32398  
 K P K  
 7 FEB 74  
 F CO  
 59921  
 SMA  
 29 SEPT 84  
 G CO  
 76442  
 D C S  
 2 DEC 93  
 CHECK  
 SR-12775  
 RELEASE NO.  
 CHECK  
 10 MAR 67  
 CHECK  
 10 MAR 67  
 CHECK  
 10 MAR 67  
 DRAWN  
 D W C  
 10 MAR 67  
 FO-50376

**MICRO SWITCH**  
 FREEPORT, ILLINOIS, U.S.A.  
 A DIVISION OF HONEYWELL  
 FED. MFG. CODE 91929

**SWITCH - BASIC**

CATALOG LISTING  
**V3L-139** 5  
**CQ-B3700**



THIS DRAWING COVERS A PROPRIETARY ITEM AND IS THE PROPERTY OF MICRO SWITCH, A DIVISION OF HONEYWELL. THIS DRAWING IS NOT TO BE COPIED OR USED WITHOUT THE APPROVAL OF MICRO SWITCH.

CHARACTERISTICS	
OPERATING FORCE	8 OZ MAX
RELEASE FORCE	2 OZ MIN
DIFFERENTIAL TRAVEL	.016 MAX
OVERTRAVEL	.040 MIN
RELEASE TRAVEL	.007 MIN

ELECTRICAL DATA	
CONTACT ARRANGEMENT S P D T	
- L156 - 11A-1/3HP-125-250-277 VAC 1/2A-125 VDC; 1/4A-250 VDC 4A-125 VAC "L"	

SCALE FULL		
DO NOT SCALE PRINT		
UNLESS OTHERWISE NOTED		
DIMENSIONS ARE IN INCHES		
<b>TOLERANCES ARE:</b>		
ONE PLACE	(.0)	±.030
TWO PLACE	(.00)	±.015
THREE PLACE	(.000)	±.005
ANGLES		±
WEIGHT		