

## Excellent Integrated System Limited

Stocking Distributor

Click to view price, real time Inventory, Delivery & Lifecycle Information:

[Honeywell Sensing and Productivity Solutions](#)  
[V3L-2163](#)

For any questions, you can email us directly:

[sales@integrated-circuit.com](mailto:sales@integrated-circuit.com)

**MICRO SWITCH**

FREEPORT ILLINOIS, U.S.A  
 A DIVISION OF HONEYWELL  
 FED. MFG. CODE 91929

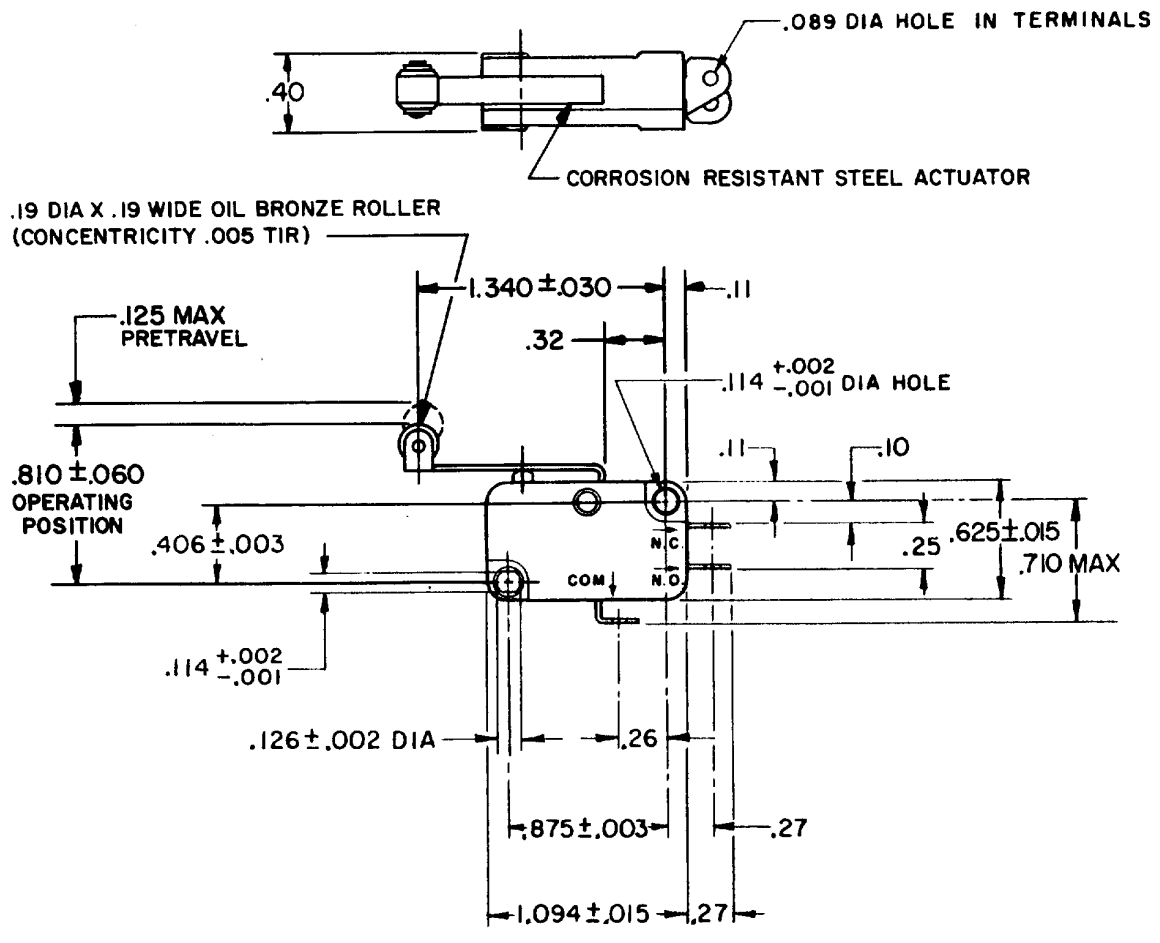
**SWITCH-BASIC**

CATALOG LISTING

**V3L-2163**

**CQX1407**

V3L-2163  
 M  
 DRAWING NUMBER  
 X  
 ISSUE  
 3  
 REVISIONS  
 A CO 15821  
 BMA  
 21 SEPT 86  
 B CO 76300  
 JOB  
 19 NOV 93  
 FO-52848  
 DRAWN  
 R C R127 APR 73  
 CHECK L S D  
 27 APR 73  
 CHECK  
 RELEASE NO. PR-3319  
 REPLACES



NOTE -  
 1 - TERMINALS ARE PLATED FOR SOLDERING

THIS DRAWING COVERS A PROPRIETARY ITEM AND IS THE PROPERTY OF MICRO SWITCH, A DIVISION OF HONEYWELL. THIS DRAWING IS NOT TO BE COPIED OR USED WITHOUT THE APPROVAL OF MICRO SWITCH.

CHARACTERISTICS	ELECTRICAL DATA	SCALE FULL
OPERATING FORCE -----31 GRAM MAX	CONTACT ARRANGEMENT S P D T	DO NOT SCALE PRINT
RELEASE FORCE -----2 GRAM MIN	-L131- 10A-1/4HP-125 OR 250 VAC 1/2A-125 VDC; 1/4A-250 VDC 3A-125 VAC "L" 	UNLESS OTHERWISE NOTED DIMENSIONS ARE IN INCHES <b>TOLERANCES ARE</b>
DIFFERENTIAL TRAVEL -----.030 MAX		ONE PLACE (.0) ± .030
OVERTRAVEL -----.085 MIN		TWO PLACE (.00) ± .015
RELEASE TRAVEL -----.016 MIN		THREE PLACE (.000) ± .005
		ANGLES ±
		WEIGHT