

Excellent Integrated System Limited

Stocking Distributor

Click to view price, real time Inventory, Delivery & Lifecycle Information:

[Honeywell Sensing and Productivity Solutions
V3L-607](#)

For any questions, you can email us directly:

sales@integrated-circuit.com

MICRO SWITCH

FREERPORT ILLINOIS, U.S.A
 A DIVISION OF HONEYWELL
 FED. MFG. CODE 91929

SWITCH - BASIC

CATALOG LISTING

V3L-607

CQ-H0480

V3L-607

PAGE 1 OF 1

REPLACES

RELEASE NO. PR-6350

M

DRAWING NUMBER

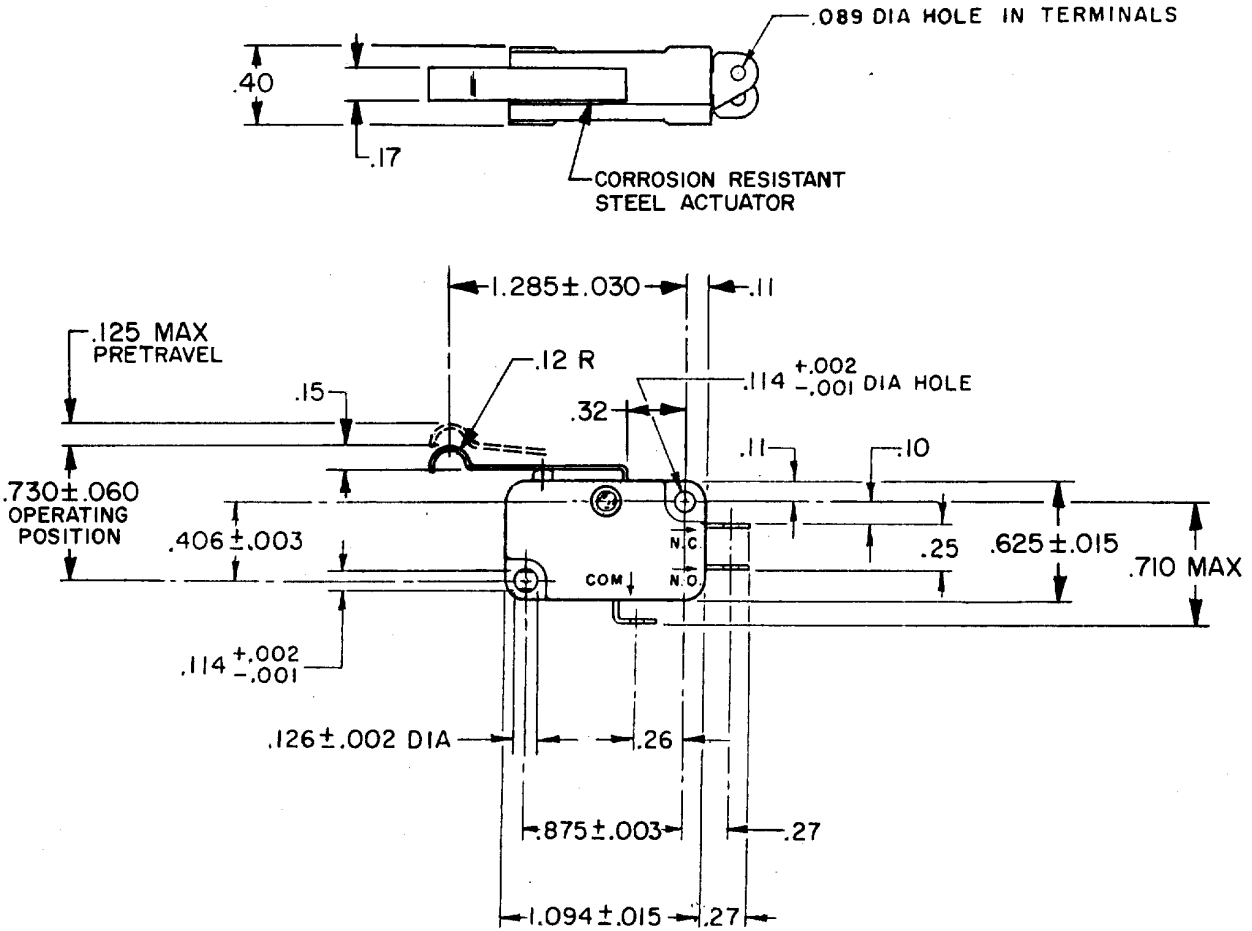
10

ISSUE

CHECK

REVISIONS

A	NEW DWG PR-6350	04 JUN 04
K	P K	22 FEB 77
B	CO 38993	04 JUN 04
T	M M	5 AUG 77
C	CO 59921	AK
BWA		
D	CO- 69205	AK
BAB		
E	CO 76444	AK
D	CO 77116	23 FEB 77
D	CO 77116	23 FEB 77
G	CO-93311	23 FEB 77
TSM		
H	0005782	16 OCT 98
RJ		04 JUN 04

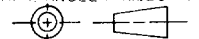


NOTES

- 1 - TERMINALS ARE PLATED FOR SOLDERING
- 2 - IN INSPECTION, DO NOT BURN OUT - GOLD CONTACTS
- 3 - IN INSPECTION, DO NOT EXCEED 10 VDC, .1A RESISTIVE LOAD
- 4 - INSPECT SWITCH RESISTANCE PER CONTROL PLAN

THIS DRAWING COVERS A PROPRIETARY ITEM AND IS THE PROPERTY OF MICRO SWITCH, A DIVISION OF HONEYWELL. THIS DRAWING IS NOT TO BE COPIED OR USED WITHOUT THE APPROVAL OF MICRO SWITCH.

THIRD ANGLE PROJECTION



CHARACTERISTICS

OPERATING FORCE ----- 4 OZ MAX
 RELEASE FORCE ----- 1/2 OZ MIN
 RELEASE TRAVEL ----- .010 MIN
 DIFFERENTIAL TRAVEL ----- .032 MAX
 OVERTRAVEL ----- .080 MIN

ELECTRICAL DATA

CONTACT ARRANGEMENT
 S P D T

L22 1A-125 VAC



SCALE FULL

DO NOT SCALE PRINT

TOLERANCES

APPLY TO DESIGN UNITS. CONVERSIONS ARE ONLY FOR REFERENCE. UNLESS NOTED, TOLERANCES ARE ±

DIM.	TOL.	DIM.	TOL.
mm	mm/in	in	mm/in
NO PLACES	X	1/04	
ONE PLACE	X,X	0.4/015	X X 0.8/03
TWO PLACES	X,XX	0.15/006	X X X 0.38/015
THREE PLACES	X,XXX		X X X X 0.13/005
ANGLES			

DESIGN UNITS SI METRIC US CUSTOMARY

WEIGHT

FORMTEK

DRAWN

K P K122 FEB 77 CHECK C E B