

## Excellent Integrated System Limited

Stocking Distributor

Click to view price, real time Inventory, Delivery & Lifecycle Information:

[Honeywell Sensing and Productivity Solutions](#)  
[YA-2RB-A64](#)

For any questions, you can email us directly:

[sales@integrated-circuit.com](mailto:sales@integrated-circuit.com)

**MICRO SWITCH**

FREEPORT ILLINOIS, U.S.A  
 A DIVISION OF HONEYWELL INC.  
 FED. MFG. CODE 91929

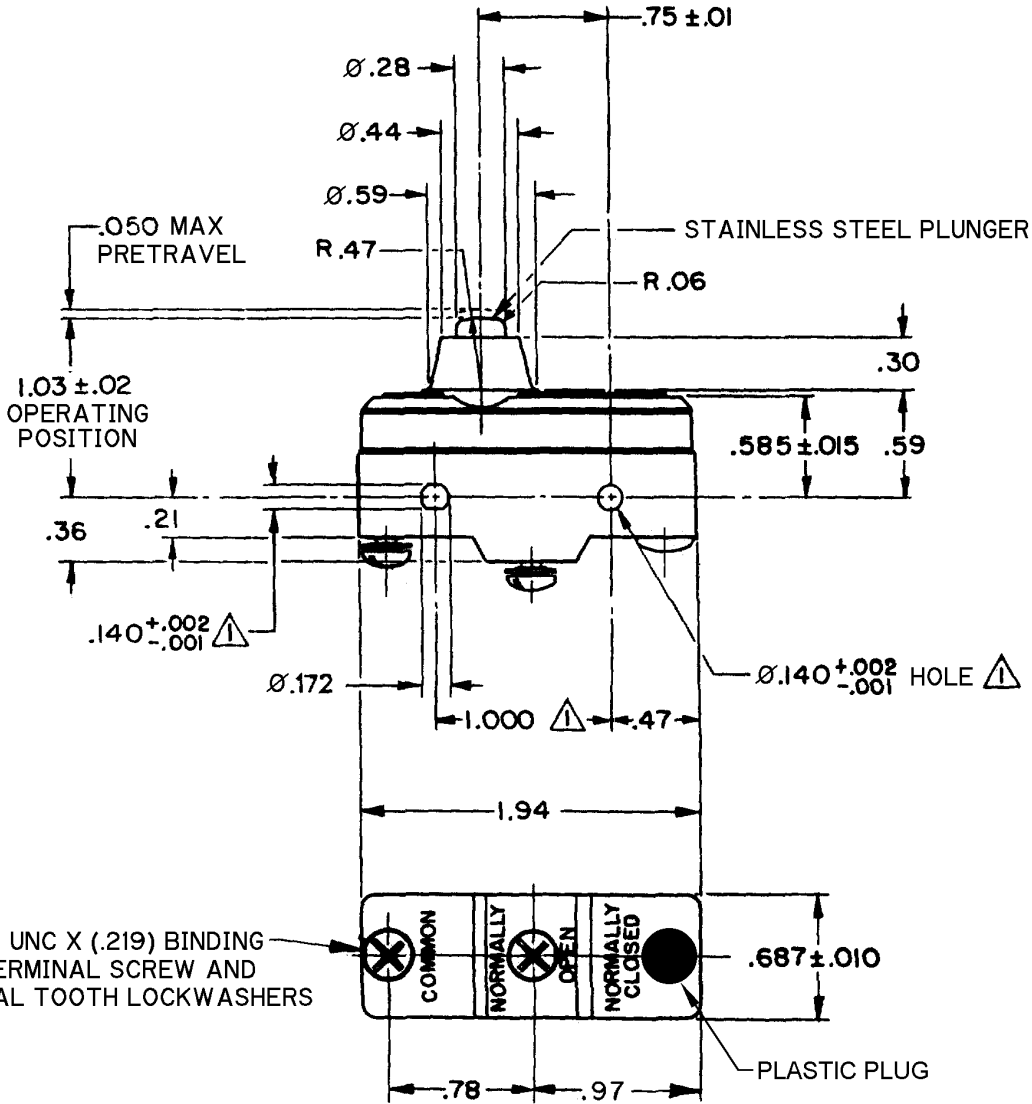
**SWITCH - BASIC**

CATALOG LISTING

**YA-2RB-A64**

**ADJ7064**

CATALOG LISTING  
**YA-2RB-A64**  
 PAGE 1 OF 1  
**M**  
 ISSUE 7  
 REVISIONS  
 A 00-77588 KDR 29 MAR 94  
 B C093084 JAS 15 JUL 98  
 C C093346 DLT 27 AUG 98  
 D C095750-B CSL 29 MAR 00  
 E 0000624 JAH 23 JUN 03  
 F 0017742 TSG 09 JAN 06  
 RELEASE NO. PR-13830-T  
 CHECK 09 JAN 06  
 CHECK 11 APR 85  
 CHECK KAG  
 DRAWN  
 RASTER  
 T S K 10 APR 85



**NOTE**  
 1 MOUNTING HOLES WILL ACCEPT PINS OR SCREWS OF Ø.139 MAX ON 1.000±.002 CENTERS

ANSI Y14.5M-1982 APPLIES

THIS DRAWING COVERS A PROPRIETARY ITEM AND IS THE PROPERTY OF MICRO SWITCH, A DIVISION OF HONEYWELL. THIS DRAWING IS NOT TO BE COPIED OR USED WITHOUT THE APPROVAL OF MICRO SWITCH.

THIRD ANGLE PROJECTION

CHARACTERISTICS	ELECTRICAL DATA	SCALE FULL	DO NOT SCALE PRINT
OPERATING FORCE ----- 14-22 OZ	CONTACT ARRANGEMENT S P N O	UNLESS OTHERWISE SPECIFIED TOLERANCES ARE ONE PLACE (.0) ± .030 TWO PLACE (.00) ± .015 THREE PLACE (.000) ± .005 ANGLES ± RAW MATERIAL - COMMERCIAL STANDARD	DIMENSIONS ARE IN INCHES AND ARE TO BE MET BEFORE PROTECTIVE COATINGS ARE APPLIED
RELEASE FORCE ----- 10 OZ MIN	L23 20A 125, 250, OR 480 VAC 10A 125 VAC "L" 1 HP 125 VAC, 2 HP 250 VAC 1/2 A 125 VDC, 1/4 A 250 VDC		
DIFFERENTIAL TRAVEL ----- .002-.0075	L288 L308 L315	MICRO SWITCH STANDARDS APPLY	WEIGHT .064 LB
OVERTRAVEL ----- .094 MIN	CE  05 20(3)A 250V ~ T85 5E4		