

Excellent Integrated System Limited

Stocking Distributor

Click to view price, real time Inventory, Delivery & Lifecycle Information:

[Honeywell Sensing and Productivity Solutions](#)
[YA-2RV-A2](#)

For any questions, you can email us directly:

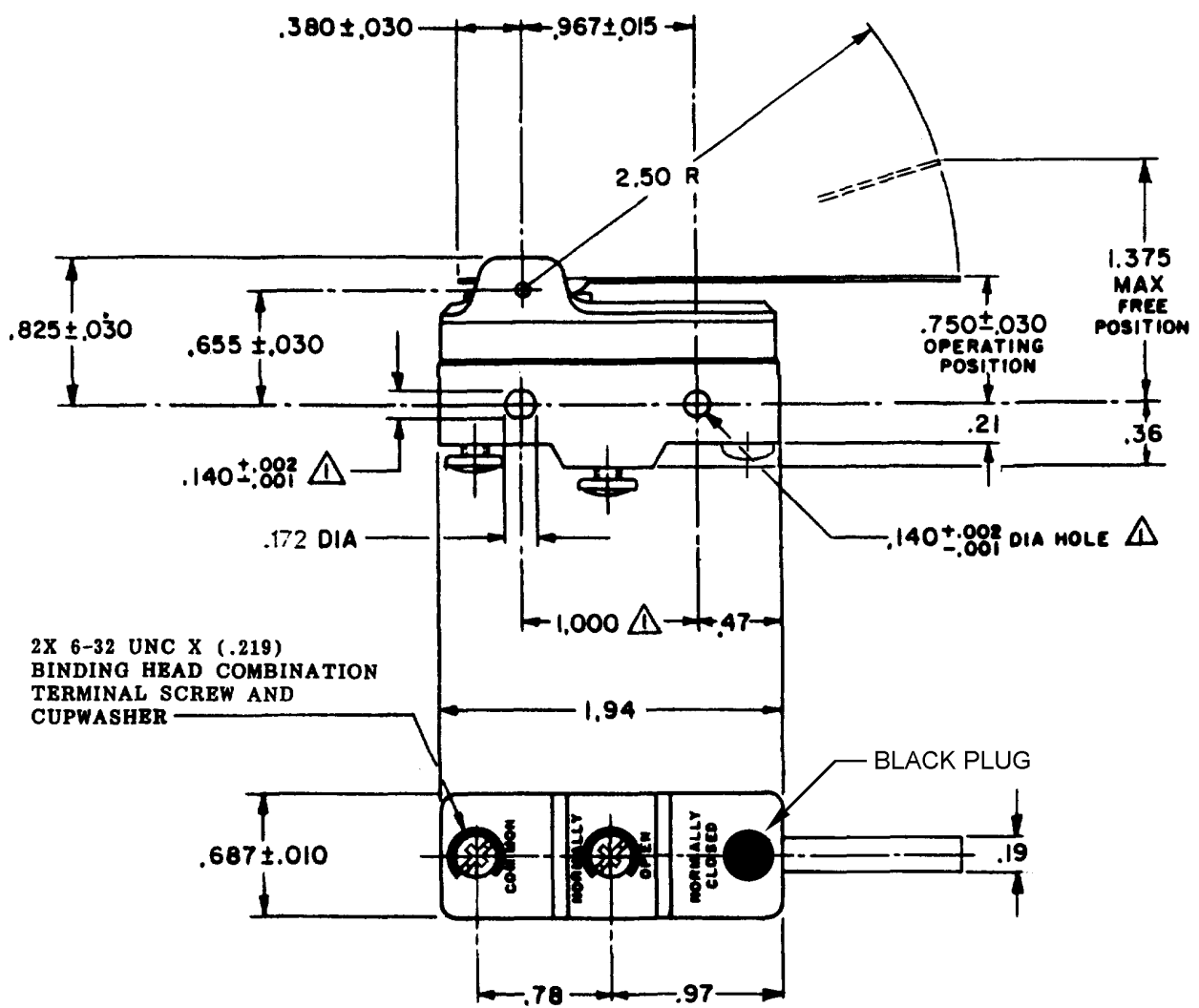
sales@integrated-circuit.com

YA-2RV-A2 ISSUE 2	MICRO SWITCH <small>A DIVISION OF MINNEAPOLIS-HONEYWELL REGULATOR COMPANY MINNETONKA, MINNESOTA</small>	SWITCH - BASIC	CATALOG LISTING YA-2RV-A2 ADP5000
----------------------	---	-----------------------	--

CATALOG LISTING
YA-2RV-A2
 PAGE 1 OF 1
M
 DRAWING NUMBER
9
 ISSUE
 REVISIONS

A	CO	15883
B	CO	3432
C	CO	73287-J
D	CO	77588
E	CO	93346
F	CO	000770
G	CO	0018388

 TGP
 17 FEB 06
 DRAWN
RASTER
 1-50378



NOTE
 ▲ MOUNTING HOLES WILL ACCEPT PINS OR SCREWS OF .139 MAX DIA ON 1.000 ± .002 CENTERS

THIS DRAWING COVERS A PROPRIETARY ITEM AND IS THE PROPERTY OF MICRO SWITCH, A DIVISION OF MINNEAPOLIS-HONEYWELL REGULATOR CO. THIS DRAWING IS NOT TO BE COPIED OR USED WITHOUT THE APPROVAL OF MICRO SWITCH.

CHARACTERISTICS	ELECTRICAL DATA	SCALE --- FULL
OPERATING FORCE ----- 2 1/2 OZ MAX	CONTACT ARRANGEMENT S P NO	DO NOT SCALE PRINT
RELEASE FORCE ----- 1/2 OZ MIN	L23 20A - 125, 250 OR 480 VAC 10A - 125 VAC "L" 1HP - 125 VAC, 2HP - 250 VAC 1/2A - 125 VDC, 1/4A - 250 VDC	UNLESS OTHERWISE SPECIFIED DIMENSIONS ARE IN INCHES TOLERANCES ARE:
PRETRAVEL ----- .625 MAX	L288 L308 L315 20(3)A 250V ~ T85 5E4	ONE PLACE (.0) ± .030 TWO PLACE (.00) ± .015 THREE PLACE (.000) ± .005 ANGLES ±
DIFFERENTIAL TRAVEL ----- .109 MAX		WEIGHT
OVERTRAVEL ----- .078 MIN		