

Excellent Integrated System Limited

Stocking Distributor

Click to view price, real time Inventory, Delivery & Lifecycle Information:

[Honeywell Sensing and Productivity Solutions](#)
[YZ-2R-A21](#)

For any questions, you can email us directly:

sales@integrated-circuit.com

MICRO SWITCH

FREEPORT ILLINOIS, U.S.A
 A DIVISION OF HONEYWELL
 FED. MFG. CODE 91929

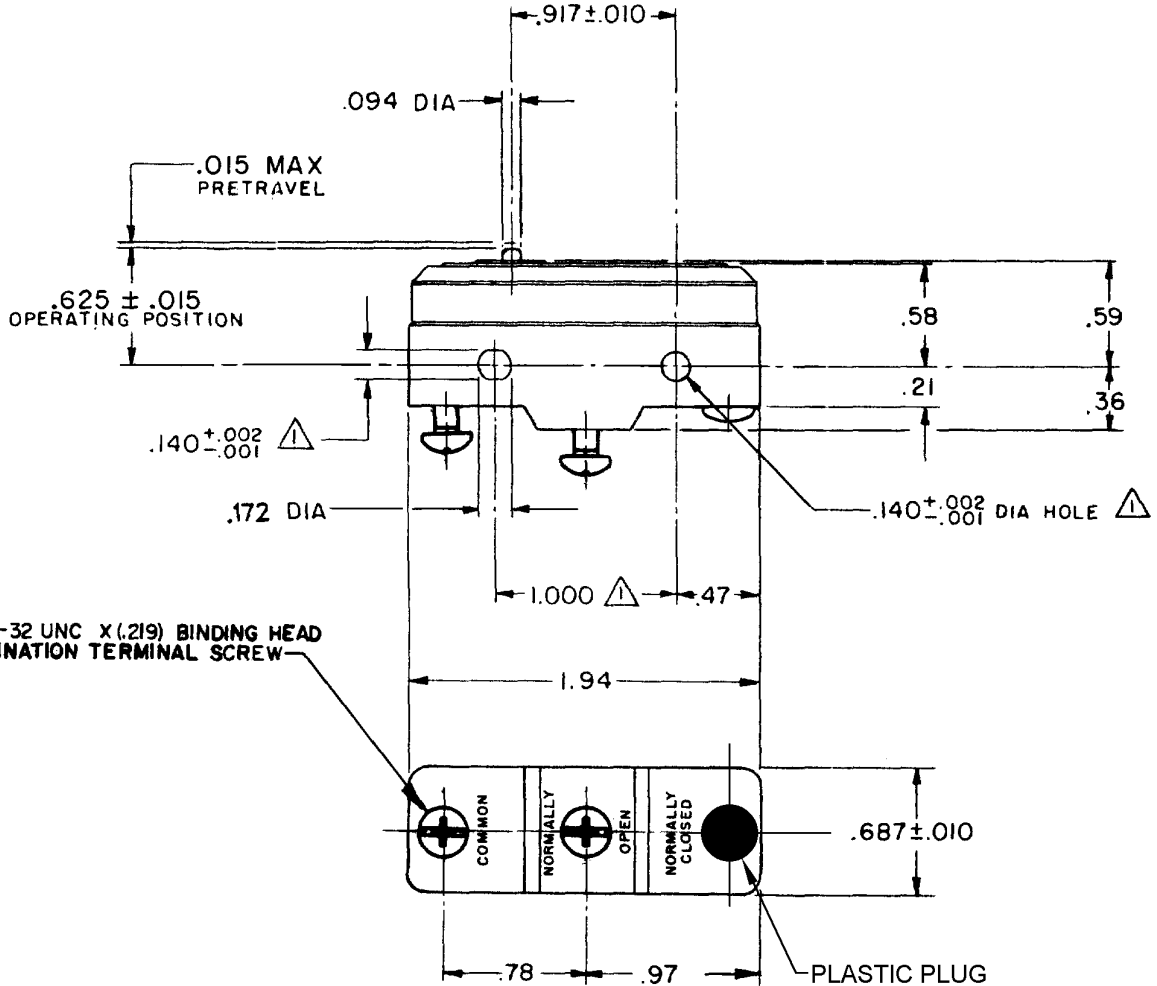
SWITCH - BASIC

CATALOG LISTING

YZ-2R-A21

AWF2550

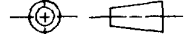
YZ-2R-A21
 PAGE 1 OF 1
 RELEASE NO. PR-3836
 REPLACES
 DRAWING NUMBER
 ISSUE
 12
 REVISIONS
 A OBS DWG C082292 C S L 26 JAN 96
 B REINST PR22383 D L T 18 SEP 96
 C C093346 D L T 22 SEP 98
 D 0000624 JAH 23 JUN 03
 E 0015138 SPK 29 AUG 05
 CHECK
 29 AUG 05
 RJ
 96
 CHECK
 18 SEP 96
 DRAWN
 RASTER



NOTE
 1 MOUNTING HOLES WILL ACCEPT PINS OR SCREWS OF .139 MAX DIA ON 1.000 ± .002 CENTERS

THIS DRAWING COVERS A PROPRIETARY ITEM AND IS THE PROPERTY OF MICRO SWITCH, A DIVISION OF HONEYWELL. THIS DRAWING IS NOT TO BE COPIED OR USED WITHOUT THE APPROVAL OF MICRO SWITCH.

THIRD ANGLE PROJECTION



CHARACTERISTICS

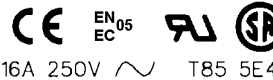
OPERATING FORCE ----- 9-13 OZ
 RELEASE FORCE ----- 4 OZ MIN
 DIFFERENTIAL TRAVEL --- .0004 --- .0020
 OVERTRAVEL ----- .005 MIN

ELECTRICAL DATA

CONTACT ARRANGEMENT
 S P N O

CODE L96 15A-125, 250 OR 480 VAC
 1/8 HP-125 VAC; 1/4 HP-250 VAC
 1/2 A-125 VDC; 1/4 A-250 VDC

-L288-
 -L306-
 -L315-



16A 250V ~ T85 5E4

SCALE FULL

DO NOT SCALE PRINT

TOLERANCES

APPLY TO DESIGN UNITS. CONVERSIONS ARE ONLY FOR REFERENCE. UNLESS NOTED, TOLERANCES ARE ±

	DIM.	TOL.	DIM.	TOL.
	mm	mm/in	in	mm/in
NO PLACES	X	1/64	X	0.0103
ONE PLACE	X,X	0.01/016	X X	0.01/015
TWO PLACES	X,X,X	0.15/006	X X X	0.38/005
THREE PLACES	X,X,X,X		X X X X	0.13/005
ANGLES				

DESIGN UNITS SI METRIC US CUSTOMARY

WEIGHT .063 LB