

## Excellent Integrated System Limited

Stocking Distributor

Click to view price, real time Inventory, Delivery & Lifecycle Information:

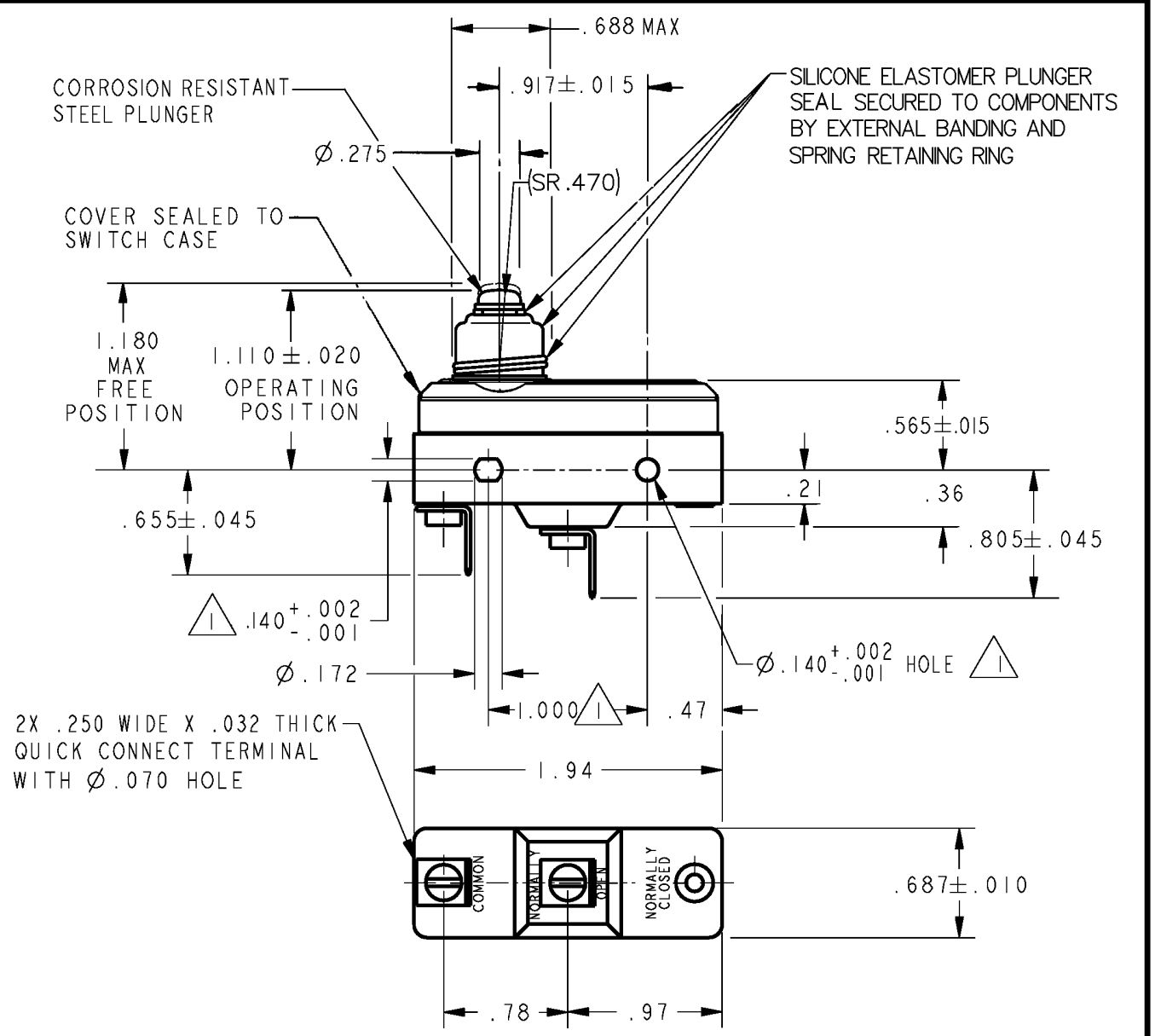
[Honeywell Sensing and Productivity Solutions](#)  
[YZ-2RDS555116-D6-S](#)

For any questions, you can email us directly:

[sales@integrated-circuit.com](mailto:sales@integrated-circuit.com)

X113270-YZ	<b>MICRO SWITCH</b> a Honeywell Division <small>FED. MFG. CODE 91929</small>	<b>SWITCH - BASIC</b>	<small>CATALOG LISTING</small> <b>YZ-2RDS555116-D6-S</b> <b>AWP2768</b>
------------	--	-----------------------	---

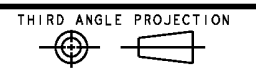
CATALOG LISTING	YZ-2RDS555116-D6-S	PAGE 1 OF 1	RELEASE NO. 201475	REPLACES X113270-YZ
ISSUE	M	3		
REVISIONS	A	0001352	09JAN06	CHECK
		JAH	03AUG03	
	B	0017586	09JAN06	CHECK
		TSG	09JAN06	
RASTER DRAWN	CSL	10 OCT 00	CHECK	SAV
		10 OCT 00	CHECK	RJ



NOTES  
 MOUNTING HOLES WILL ACCEPT PINS OR SCREWS OF  $\phi .139 \text{ MAX}$  ON  $1.000 \pm .002$  CENTERS  
 2 - SEALED CONSTRUCTION PROVIDES SPLASH RESISTANCE

ANSI Y14.5M-1982 APPLIES

THIS DRAWING COVERS A PROPRIETARY ITEM AND IS THE PROPERTY OF MICRO SWITCH, A DIVISION OF HONEYWELL. THIS DRAWING IS NOT TO BE COPIED OR USED WITHOUT THE APPROVAL OF MICRO SWITCH.



CHARACTERISTICS	ELECTRICAL DATA	SCALE FULL	DO NOT SCALE PRINT
OPERATING FORCE ----- 8-19 OZ	CONTACT ARRANGEMENT S P N O	UNLESS OTHERWISE SPECIFIED TOLERANCES ARE	ONE PLACE (.0) $\pm .030$
RELEASE FORCE ----- 4 OZ MIN	L96		
DIFFERENTIAL TRAVEL ----- .0004 - .0025	15A 125, 250 OR 480 VAC	TWO PLACE (.00) $\pm .015$	THREE PLACE (.000) $\pm .005$
OVERTRAVEL ----- .062 MIN	1/8HP 125 VAC, 1/4HP 250 VAC	ANGLES	$\pm$
	1/2A 125 VDC, 1/4A 250 VDC	WEIGHT	.076 LB
	L288 L306 L315		
	CE		
	16A 250V T85 5E4		