

Excellent Integrated System Limited

Stocking Distributor

Click to view price, real time Inventory, Delivery & Lifecycle Information:

[Honeywell Sensing and Productivity Solutions](#)
[YZ-2RDS5551-A22](#)

For any questions, you can email us directly:

sales@integrated-circuit.com

MICRO SWITCH

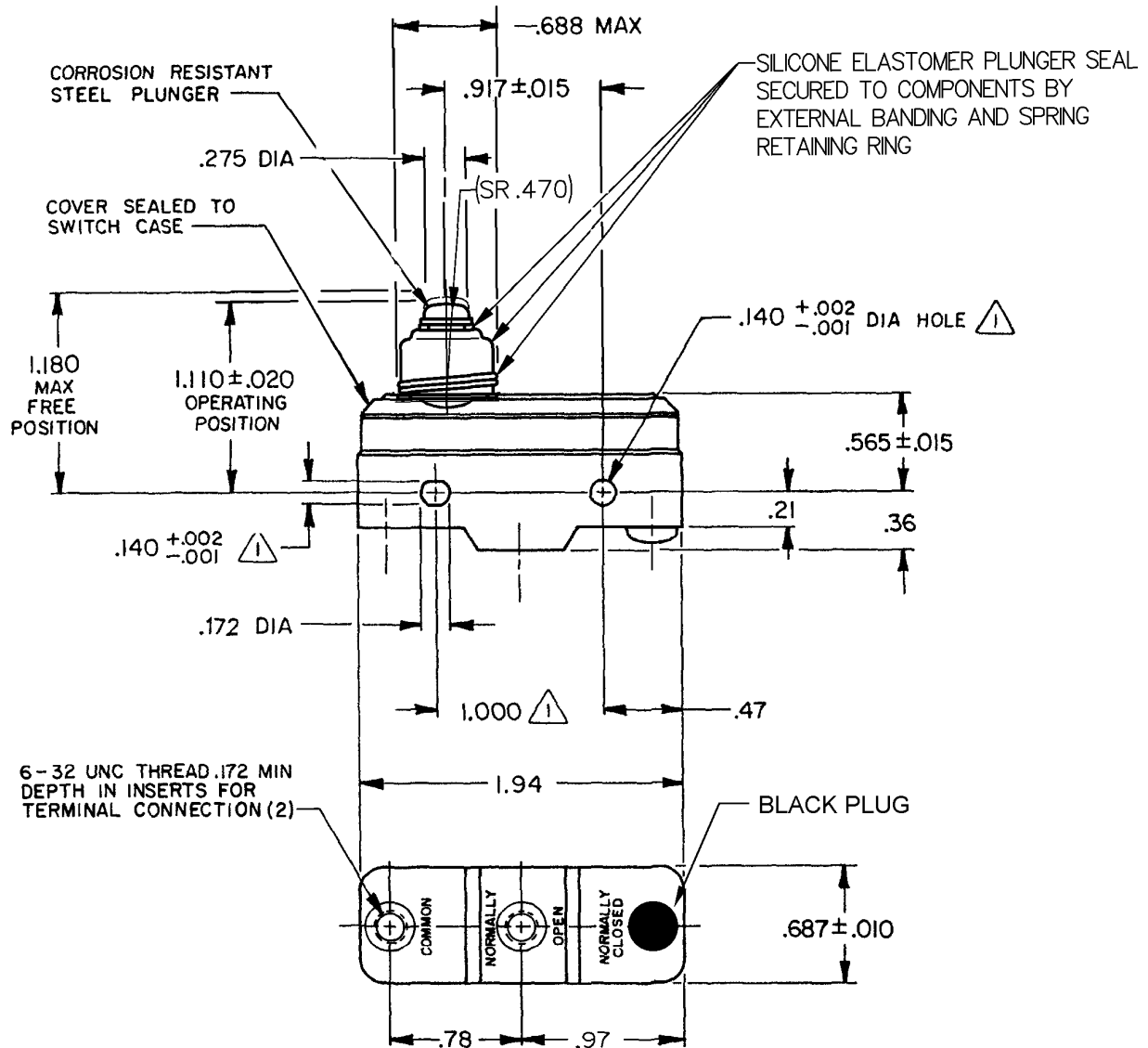
FREEPORT ILLINOIS, U.S.A
 A DIVISION OF HONEYWELL
 FED. MFG. CODE 91929

SWITCH - BASIC

CATALOG LISTING
YZ-2RDS5551-A22

AWP2740

CATALOG LISTING
MYZ-2RDS5551-A22
 PAGE 1 OF 1
 RELEASE NO. PR-14519
 DRAWING NUMBER
 ISSUE 9
 REVISIONS
 A C067209 J A P 3 MAY 90
 B C071458 J A L 21 NOV 91
 C CO-77588 K D R 29 MAR 94
 D 78275 S A D 22 JUL 94
 E C083108 G J W 13 JUN 96
 F C093346 D L T 22 SEP 98
 G 0000763 C S L 2 JUL 03
 H 0017586 T S G 09 JAN 06
 CHECK K A G
 DRAWN R A S
 J A S 17 FEB 86



NOTES
 ⚠ MOUNTING HOLES WILL ACCEPT PINS OR SCREWS OF .139 MAX DIA ON 1.000 ± .002 CENTERS
 2 - SEALED CONSTRUCTION PROVIDES SPLASH RESISTANCE

THIS DRAWING COVERS A PROPRIETARY ITEM AND IS THE PROPERTY OF MICRO SWITCH, A DIVISION OF HONEYWELL. THIS DRAWING IS NOT TO BE COPIED OR USED WITHOUT THE APPROVAL OF MICRO SWITCH.

THIRD ANGLE PROJECTION

CHARACTERISTICS	ELECTRICAL DATA	SCALE FULL																												
OPERATING FORCE -----13-19 OZ	CONTACT ARRANGEMENT S P N O	DO NOT SCALE PRINT																												
RELEASE FORCE -----4 OZ MIN	L96 15A 125, 250 OR 480 VAC 1/8 HP 125 VAC, 1/4 HP 250 VAC 1/2A 125 VDC, 1/4A 250 VDC	TOLERANCES APPLY TO DESIGN UNITS. CONVERSIONS ARE ONLY FOR REFERENCE. UNLESS NOTED, TOLERANCES ARE 2																												
DIFFERENTIAL TRAVEL-----.0004-.0025	L288 L306 L315	<table border="1"> <thead> <tr> <th>DIM.</th> <th>TOL.</th> <th>DIM.</th> <th>TOL.</th> </tr> <tr> <th>mm</th> <th>mm/in</th> <th>in</th> <th>mm/in</th> </tr> </thead> <tbody> <tr> <td>NO PLACES</td> <td>X</td> <td>1/64</td> <td></td> </tr> <tr> <td>ONE PLACE</td> <td>X,X</td> <td>0.4/016</td> <td>X X 0.8/03</td> </tr> <tr> <td>TWO PLACES</td> <td>X,X,X</td> <td>0.16/006</td> <td>X X X 0.38/015</td> </tr> <tr> <td>THREE PLACES</td> <td>X,X,X,X</td> <td></td> <td>X X X X 0.13/005</td> </tr> <tr> <td>ANGLES</td> <td></td> <td></td> <td></td> </tr> </tbody> </table>	DIM.	TOL.	DIM.	TOL.	mm	mm/in	in	mm/in	NO PLACES	X	1/64		ONE PLACE	X,X	0.4/016	X X 0.8/03	TWO PLACES	X,X,X	0.16/006	X X X 0.38/015	THREE PLACES	X,X,X,X		X X X X 0.13/005	ANGLES			
DIM.	TOL.	DIM.	TOL.																											
mm	mm/in	in	mm/in																											
NO PLACES	X	1/64																												
ONE PLACE	X,X	0.4/016	X X 0.8/03																											
TWO PLACES	X,X,X	0.16/006	X X X 0.38/015																											
THREE PLACES	X,X,X,X		X X X X 0.13/005																											
ANGLES																														
OVERTRAVEL -----.060 MIN		DESIGN UNITS <input type="checkbox"/> METRIC <input type="checkbox"/> US CUSTOMARY <input checked="" type="checkbox"/>																												
	16A 250V ~ T85 5E4	WEIGHT .085 LB																												