

Excellent Integrated System Limited

Stocking Distributor

Click to view price, real time Inventory, Delivery & Lifecycle Information:

[Honeywell Sensing and Productivity Solutions](#)
[YZ-2RL](#)

For any questions, you can email us directly:

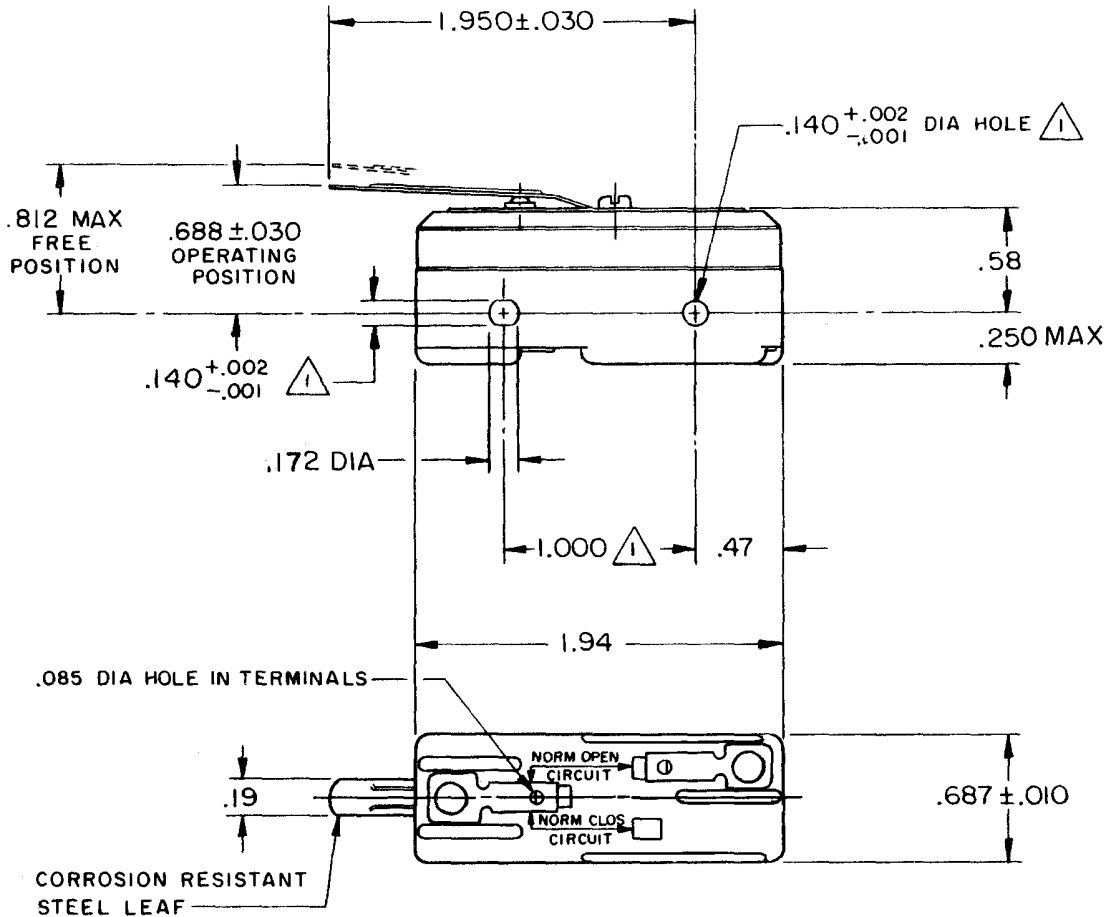
sales@integrated-circuit.com



MICRO SWITCH
 FREEPORT, ILLINOIS, U.S.A.
 A DIVISION OF HONEYWELL
 FED. MFG. CODE 91929

SWITCH - BASIC

CATALOG LISTING
YZ-2RL



NOTE
 △ MOUNTING HOLES WILL ACCEPT PINS OR SCREWS OF .139 MAX DIA ON 1.000 ± .002 CENTERS

THIS DRAWING COVERS A PROPRIETARY ITEM AND IS THE PROPERTY OF MICRO SWITCH, A DIVISION OF MINNEAPOLIS-HONEYWELL REGULATOR CO. THIS DRAWING IS NOT TO BE COPIED OR USED WITHOUT THE APPROVAL OF MICRO SWITCH.

| CHARACTERISTICS | ELECTRICAL DATA | SCALE FULL |
|--|--|--|
| OPERATING FORCE ----- 5 OZ MAX | CONTACT ARRANGEMENT S P N O | DO NOT SCALE PRINT |
| RELEASE FORCE ----- 1/2 OZ MIN | UNDERWRITERS' LAB. INC. LISTED RATING -L96- 15 A - 125, 250, OR 480 VAC 1/2 A - 125 VDC; 1/4 A - 250 VDC 1/8 HP - 125 VAC, 1/4 HP - 250 VAC | UNLESS OTHERWISE NOTED DIMENSIONS ARE IN INCHES TOLERANCES ARE: |
| DIFFERENTIAL TRAVEL ----- .050 MAX | -L288- | ONE PLACE (.0) ± .030 TWO PLACE (.00) ± .015 THREE PLACE (.000) ± .005 ANGLES ± |
| DO NOT OVERTRAVEL MORE THAN ----- .060 | -L299- -L306- 16A 250V ~ T85 5E4 | WEIGHT .050 LB |

YZ-2RL
 PAGE 1 OF 1
M
 DRAWING NUMBER
 X12
 ISSUE
 REVISIONS
 A CO17410
 G C H
 19 AUG 63
 B CO46304
 WJM
 12 DEC 79
 C CO 58037
 SMA
 1 OCT 85
 D CO- 77592
 DAW
 15 AUG 94
 E CO93346
 DLT
 22 SEP 98
 F CO- 94212-K
 DLT
 5 NOV 99
 CHECK
 DAW
 29 AUG 83
 CHECK
 DAW
 19 AUG 63
 DRAWN
 FO-50378