

## Excellent Integrated System Limited

Stocking Distributor

Click to view price, real time Inventory, Delivery & Lifecycle Information:

[Honeywell Sensing and Productivity Solutions](#)  
[YZ-2RS-A2](#)

For any questions, you can email us directly:

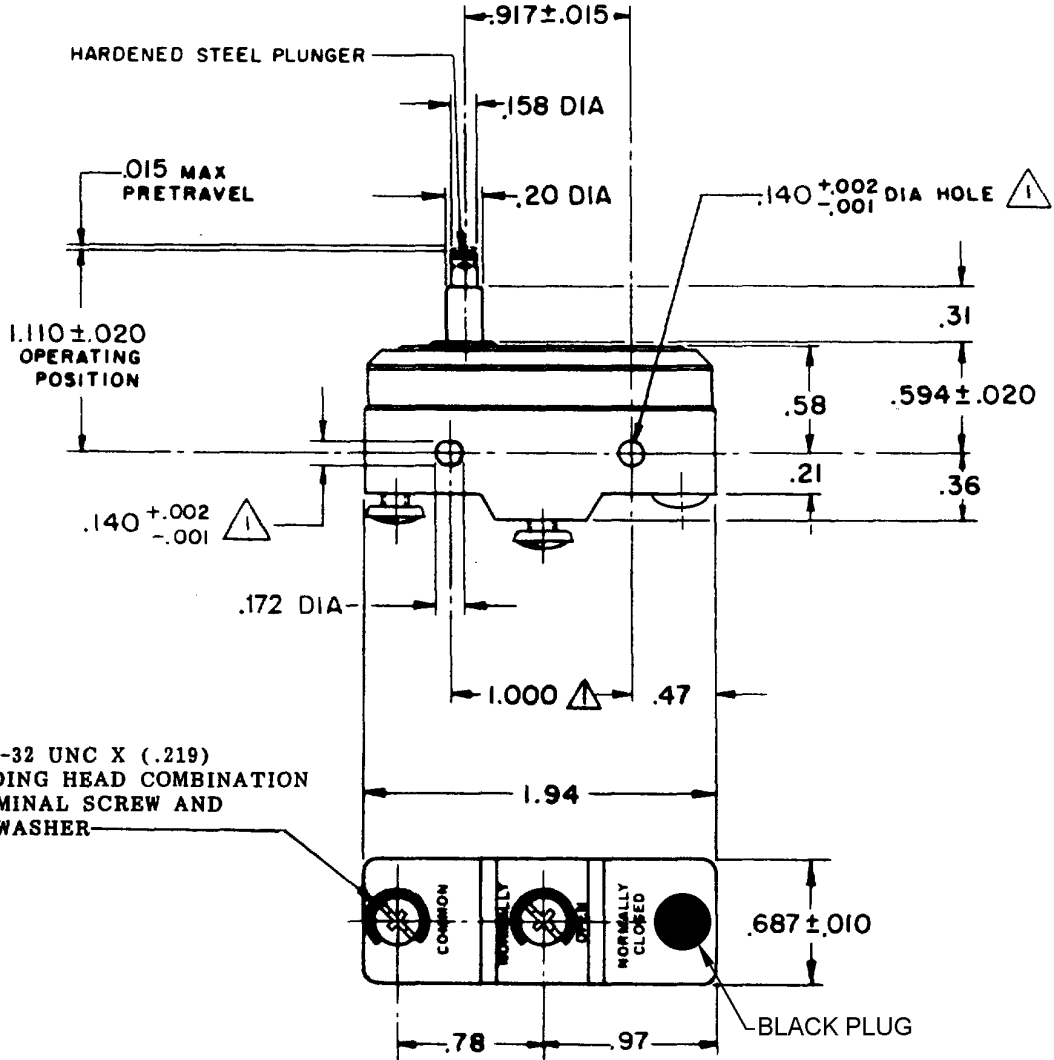
[sales@integrated-circuit.com](mailto:sales@integrated-circuit.com)



**MICRO SWITCH**  
 FREEPORT, ILLINOIS, U.S.A.  
 A DIVISION OF HONEYWELL  
 FED. MFG. CODE 91929

**SWITCH-BASIC**

CATALOG LISTING  
**YZ-2RS-A2**  
**AXS1000**



2X 6-32 UNC X (.219)  
 BINDING HEAD COMBINATION  
 TERMINAL SCREW AND  
 CUPWASHER

**NOTES**  
 ▲ MOUNTING HOLES WILL ACCEPT PINS OR SCREWS  
 OF .139 MAX DIA ON 1.000 ± .002 CENTERS.

THIS DRAWING COVERS A PROPRIETARY ITEM AND IS THE PROPERTY OF MICRO SWITCH, A DIVISION OF MINNEAPOLIS-HONEYWELL REGULATOR CO. THIS DRAWING IS NOT TO BE COPIED OR USED WITHOUT THE APPROVAL OF MICRO SWITCH.

CHARACTERISTICS	ELECTRICAL DATA	SCALE FULL
OPERATING FORCE ----- 9-13 OZ	CONTACT ARRANGEMENT S P N O	DO NOT SCALE PRINT
RELEASE FORCE ----- 4 OZ MIN	-L96- 15 A-125, 250, OR 400 VAC 1/2 A-125 VDC, 1/4 A-250 VDC 1/8 HP-125 VAC, 1/4 HP-250 VAC	UNLESS OTHERWISE NOTED DIMENSIONS ARE IN INCHES <b>TOLERANCES ARE:</b>
DIFFERENTIAL TRAVEL ----- .0004-.0020	-L288- -L306- 16A 250V ~ T85 5E4 -L315-	ONE PLACE (.0) ± .030 TWO PLACE (.00) ± .015 THREE PLACE (.000) ± .005 ANGLES ±
OVERTRAVEL ----- .062 MIN		WEIGHT .063 LB

YZ-2RS-A2  
 PAGE 1 OF 1  
 DRAWING NUMBER  
 ISSUE 8  
 REVISIONS  
 A COI7410 8 C H 2 APRIL 63  
 B CO 44156 10 APR 78  
 C CO-73287-1 J A L 22 NOV 93  
 D CO-77588 K O R 29 MAR 94  
 E CO93346 D L T 23 SEP 98  
 F 0000713 J A H 30 JUN 03  
 G 0017586 T S G 09 JAN 06  
 RASTER DRAWN  
 G C H 2 APRIL 63 CHECK L.S.D. 16 APR 63  
 09 JAN 06 CHECK RJ  
 09 JAN 06 CHECK G3  
 REPLACES  
 RELEASE NO.