

Excellent Integrated System Limited

Stocking Distributor

Click to view price, real time Inventory, Delivery & Lifecycle Information:

[Honeywell Sensing and Productivity Solutions](#)
[YZ-3RW845547-A2-S](#)

For any questions, you can email us directly:

sales@integrated-circuit.com

MICRO SWITCH

FREEMONT ILLINOIS, U.S.A.
 A DIVISION OF HONEYWELL
 FED. MFG. CODE 91929

SWITCH - BASIC

CATALOG LISTING
YZ-3RW845547-A2-S

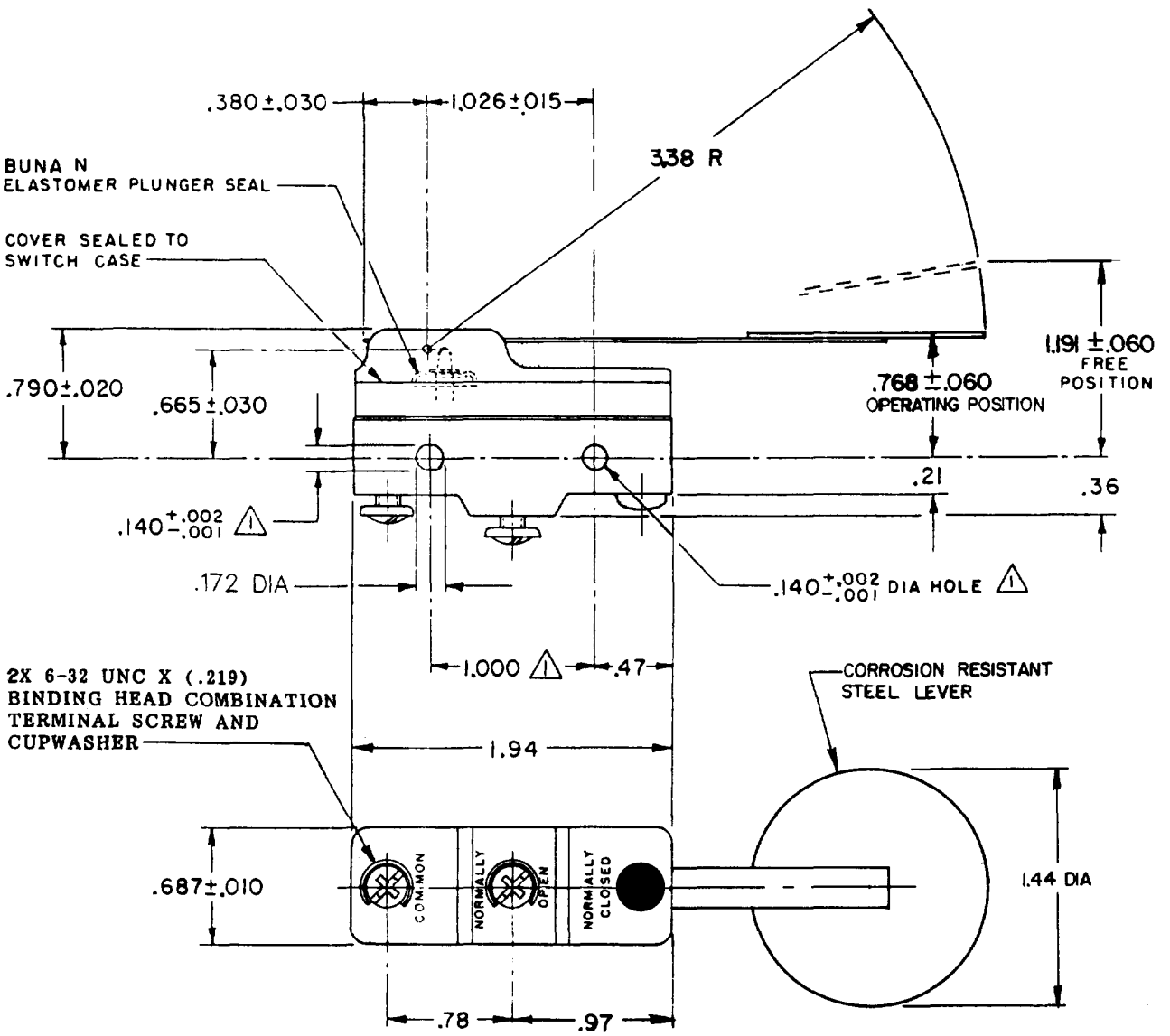
CATALOG LISTING
YZ-3RW845547-A2-S
 PAGE 1 OF 1

M

ISSUE
7

DESIGN	A	CO48226
TSM		29 AUG 80
REV	B	CO67209
JAP		2 MAY 90
CO	C	CO-73287-J
JAL		22 NOV 93
CO	D	CO 77588
TSM		29 MAR 94
REV	E	CO93346
DLT		22 SEP 98
F		0000953
CSL		24 JUL 03

RELEASE NO. **PR-8876**
 CHECK
 12 JUNE 80
 12 JUNE 80
 RASTER
 FO-52848-A
 JEF



NOTES
 ⚠ MOUNTING HOLES WILL ACCEPT PINS OR SCREWS OF .139 MAX DIA ON 1.000 ± .002 CENTERS
 2 - SEALED CONSTRUCTION PROVIDES SPLASH RESISTANCE

THIS DRAWING COVERS A PROPRIETARY ITEM AND IS THE PROPERTY OF MICRO SWITCH, A DIVISION OF HONEYWELL. THIS DRAWING IS NOT TO BE COPIED OR USED WITHOUT THE APPROVAL OF MICRO SWITCH.

CHARACTERISTICS	
OPERATING FORCE-----	18 GR MAX
RELEASE FORCE-----	3 GR MIN
DIFFERENTIAL TRAVEL-----	.021-.107
OVERTRAVEL-----	.312 MIN

ELECTRICAL DATA	
CONTACT ARRANGEMENT S P N O	
L98	15A 125, <u>250</u> OR 480 VAC 1/8 HP 125 VAC, 1/4 HP <u>250</u> VAC 1/2A 125 VDC, 1/4A <u>250</u> VDC
L288	CE Ⓟ RUL
L299	
L306	
16A 250V ~ T85 5E4	

SCALE	FULL	
DO NOT SCALE PRINT		
TOLERANCES		
APPLY TO DESIGN UNITS. CONVERSIONS ARE ONLY FOR REFERENCE. UNLESS NOTED, TOLERANCES ARE 2		
	DIM. mm	TOL. mm/10
NO PLACES	X	1/104
ONE PLACE	X,X	0.4/016
TWO PLACES	X,XX	0.18/008
THREE PLACES	X,XXX	0.13/006
ANGLES		
DESIGN UNITS	<input type="checkbox"/> SI METRIC	<input checked="" type="checkbox"/> US CUSTOMARY
WEIGHT	.079 LB	