

Excellent Integrated System Limited

Stocking Distributor

Click to view price, real time Inventory, Delivery & Lifecycle Information:

[Honeywell Sensing and Productivity Solutions](#)
[YZ-RX-D584](#)

For any questions, you can email us directly:

sales@integrated-circuit.com



X113914-YZ

MICRO SWITCH
 a Honeywell Division

FED. MF6. CODE 91929

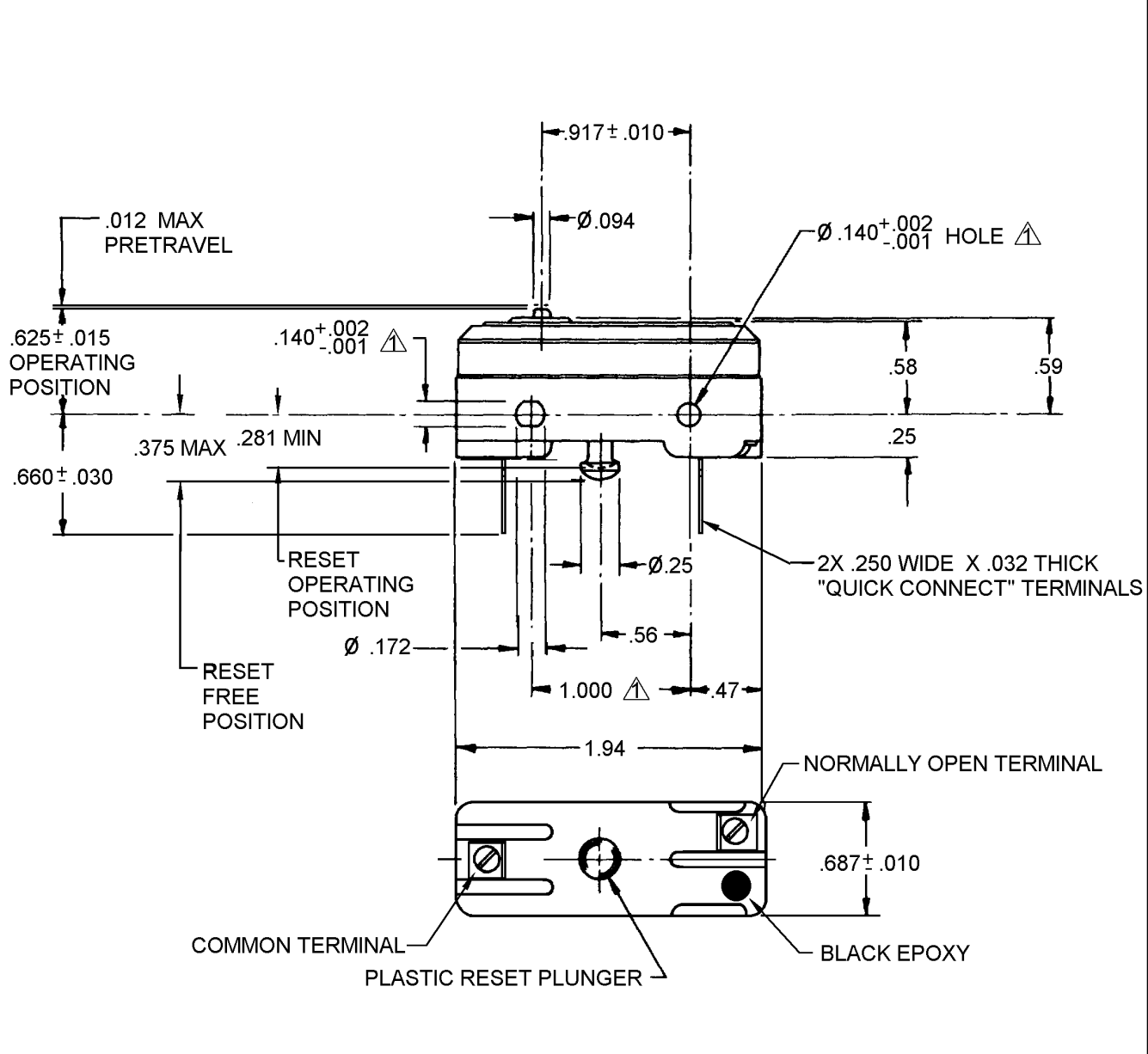
SWITCH - BASIC

CATALOG LISTING

YZ-RX-D584

CATALOG LISTING
YZ-RX-D584
 PAGE 1 OF 1
 ISSUE 2

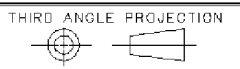
REPLACES 206612
 RELEASE NO. 27JAN05
 CHECK 11 OCT 02
 SA V
 CHECK 11 OCT 02
 TSM 11 OCT 02
 DRAWN RASTER



NOTES
 ▲ MOUNTING HOLES WILL ACCEPT PINS OR SCREWS OF Ø .139 MAX ON 1.000 ± .002 CENTERS

ANSI Y14.5M-1982 APPLIES

THIS DRAWING COVERS A PROPRIETARY ITEM AND IS THE PROPERTY OF MICRO SWITCH, A DIVISION OF HONEYWELL. THIS DRAWING IS NOT TO BE COPIED OR USED WITHOUT THE APPROVAL OF MICRO SWITCH.



| CHARACTERISTICS | ELECTRICAL DATA | SCALE FULL | DO NOT SCALE PRINT |
|---|---|--|--------------------|
| OPERATING FORCE..... 7-9 OZ OVERTRAVEL..... .005 MIN | CONTACT ARRANGEMENT S.P.N.O. | UNLESS OTHERWISE SPECIFIED TOLERANCES ARE ONE PLACE (.0) ± .030 TWO PLACE (.00) ± .015 THREE PLACE (.000) ± .005 ANGLES ± | |
| RESET CHARACTERISTICS OPERATING FORCE..... 2-10 OZ OVERTRAVEL..... .015 MIN | L67 15A 125, <u>250</u> OR 480 VAC 1/4HP 125 VAC, 1/2HP <u>250</u> VAC 1/2A 125 VDC, 1/4A 250 VDC FIG. 67 | | |
| | | WEIGHT .055 LB | |

