

Excellent Integrated System Limited

Stocking Distributor

Click to view price, real time Inventory, Delivery & Lifecycle Information:

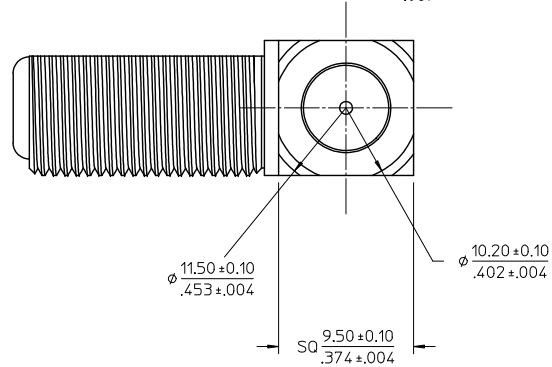
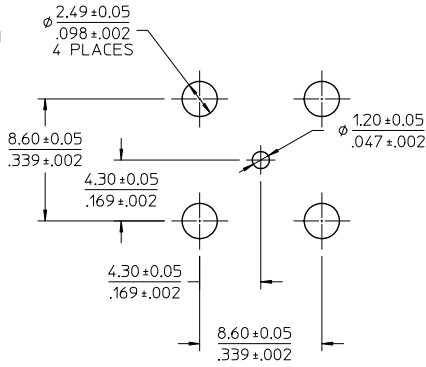
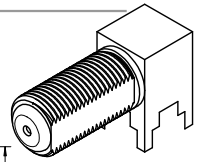
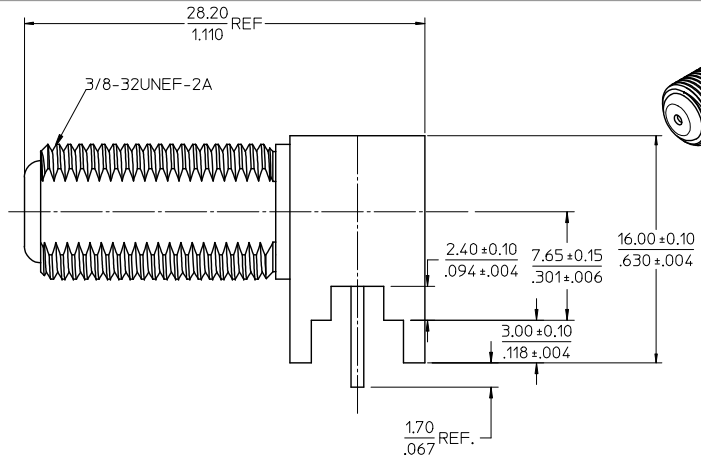
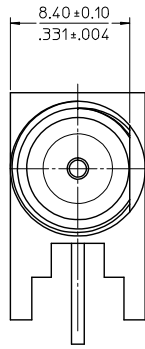
[Molex Connector Corporation](#)
[0733300030](#)

For any questions, you can email us directly:

sales@integrated-circuit.com

MATERIALS AND FINISHES

- BODY BRASS
PLATED NICKEL
- HOUSING BRASS
PLATED TIN
- CENTER CONTACT (MATING END)
PHOSPHOR BRONZE
PLATED TIN
- CENTER CONTACT (PCB END) BRASS.
PLATED TIN
- INSULATOR FRONT P.P./P.E
- INSULATOR MIDDLE POM
- INSULATOR BOTTOM POM



NOTE:
WAVE SOLDER ONLY

PART NUMBER: 73330-0030

PCB HOLE CONFIGURATION

PS-89675-368	WAVE SOLDER PROFILE
PS-73598-0080	ELECTRO/MECHANICAL PERFORMANCE
SPECIFICATION	DESCRIPTION

CHG: DIM 18.7 TO 17.7 EC NO: 0733300030-0024 DRWNR: JTEH CHKD: JTEH APPR: JHJANG 2009/07/27 2009/07/27 2009/07/27	QUALITY SYMBOLS ▽=0 ▽=0	GENERAL TOLERANCES (UNLESS SPECIFIED) mm INCH 4 PLACES ± --- ± --- 3 PLACES ± --- ± --- 2 PLACES ± --- ± --- 1 PLACE ± --- ± --- ANGULAR ± --- °	DIMENSION STYLE MM/IN	SCALE DESIGN UNITS METRIC	THIRD ANGLE PROJECTION
		DRAWN BY: DARRY CHECKED BY: JOHNSON APPROVED BY: MISEN DATE: 2006/10/27 DATE: 2006/10/27 DATE: 2006/10/27	TITLE F R/A JACK PCB 75 OHM F-RA/PCB MOLEX INCORPORATED	MATERIAL NO. 73330-0030	DOCUMENT NO. SD-73330-003